

LONON

LED Troffer light



Die formed of 0.5mm cold-rolled steel body.

All steel surface are painted after fabrication with high gloss backed white matte powder.

High transmission curved opal diffuser, high efficiency 130 LM/W Fully recessed.

luminaire fits standard T-Grid ceilings.

Available at 0/1-10V, DALI Dimming.

Technical Data

Mounting Type / 安裝方式 / Tipo de luminaria	Recessed Mount 暗裝式燈具 Montaje empotrado		
Dimension 尺寸 Dimensión	L 595 x W 595 x H 85mm L 1195 x W 595 x H 85mm		
Power Consumption with LED Driver LED 燈具包括 LED 驅動電源功率 Consumo de energía con controlador de LED	25W 30W 36W @ L 595 x W 595 x H 85mm 36W 40W 45W 50W 60W 72W @ L 1195 x W 595 x H 85mm		
Input Voltage / 輸入電壓 Voltaje de entrada	220-240V/AC 50/60Hz		
LED Driver Type LED 驅動款式 Tipo de controlador LED	Remote-type LED Driver--Constant Current LED Driver Refer to LED driver specification 請參閱 LED 驅動器規格 Consulte la especificación de controlador de LED 1. ON/OFF Switch AC220-240V 50/60HZ 2.0/1-10V Dimming Driver AC220-240V 50/60HZ for DC LED Tube 3. DALI Dimming Driver AC220-240V 50/60HZ for DC LED Tube 4. ZIGBEE Wireless Control (Remoted Driver) AC220-240V 50/60HZ for DC LED Tube 5. Emergency Backup >2 hours or >3 hours @ < 12 charger hours 應急電池/Copia de seguridad de emergencia		
LED Driver Features Constant Current LED Driver: 驅動特性-恆流 LED 驅動器 Funciones del controlador de LED	Power Factor: >0.95 THD<15% Refer to LED driver specification 請參閱 LED 驅動器規格 Consulte la especificación de controlador de LED		
Control Protocol/控制協議/Protocolo de Control	0/1-10V / DALI / ZIGBEE Wireless Control		
Light Source Brand-光源品牌-Fuente de luz de marca	Lumileds / Osram		
"Lumen Maintenance LM-80 Reported by TM-21"@ 25°C	L70 > 54,000 hrs		
LED Life-LED 壽命-La vida del LED	>100,000 hours		
Color Temperature -色溫 Temperatura del color	2700K / 3000K / 4000K / 5000K / 6500K		
Color Rendering Index-顯色指數 Índice de reproducción cromática	>80 >90		
MacAdam Ellipses Binning 麥克亞當橢圓分級 Mac Adam binning elipse	Standard Deviation Colour Matching < 3 SDCM 標準偏差配色 < 3 SDCM Coincidencia de color estándar Desviación < 3 SDCM		
Beam Angle 光束角 ángulo de haz	120°		
Luminaire Efficacy 燈具效率 La eficacia de la luminaria	100 Lm/w(2700K) 130 Lm/w(5000K)	110 Lm/w(3000K) 130 Lm/w(6500K)	120 Lm/w(4000K)
LED Source Luminous Efficacy LED 光源光效 Fuente luminosa LED Eficacia	140 Lm/w(2700K) 170 Lm/w(5000K)	150 Lm/w(3000K) 170 Lm/w(6500K)	160 Lm/w(4000K)
Housing materials 外殼材料 Materiales de la carcasa	Steel sheet with Prismatic PMMA diffuser or Opal Polycarbonate Diffuser 鋼板外框棱柱形 PMMA 擴散器燈罩或乳白 PC 擴散器燈罩 Chapa de acero con difusor de PMMA Prismático o Difusor de Policarbonato Opal		
Housing Color 外殼顏色 color de la carcasa	White coating / 白色塗層 / Recubrimiento blanco		
Ingress Protection-防護等級 Protección de ingreso	IP20		
Operating Temperature Range / 工作溫度範圍 Rango de temperatura de funcionamiento	-20 °C / +50 °C		
Operating Humidity / 工作濕度/Humedad de funcionamiento	0~90%, non-condensing-不結霜 sin condensación		
Comply Testing Standard 符合測試標準 Cumplir el estándar de prueba	LED Luminaries: LVD: IEC/EN 60598-1;EN / IEC/EN 60598-2-1;IEC62471;IEC/EN 62031; IEC/EN 62493; IEC/EN 62471 (Risk Group 1) LED Driver: IEC/EN 61347-1; IEC/EN 61347-2-13; IEC/EN 62384; IEC/EN 61000-3-2; IEC/EN 61000-3-3;IEC/EN61574;EN 55015; IEC /EN 62384		

Certification-認證-Certificación



Project	Fixture#	Date
		Firm



Ordering Information

Choose the option that suits your need and write its corresponding code on the appropriate line to form the product code.

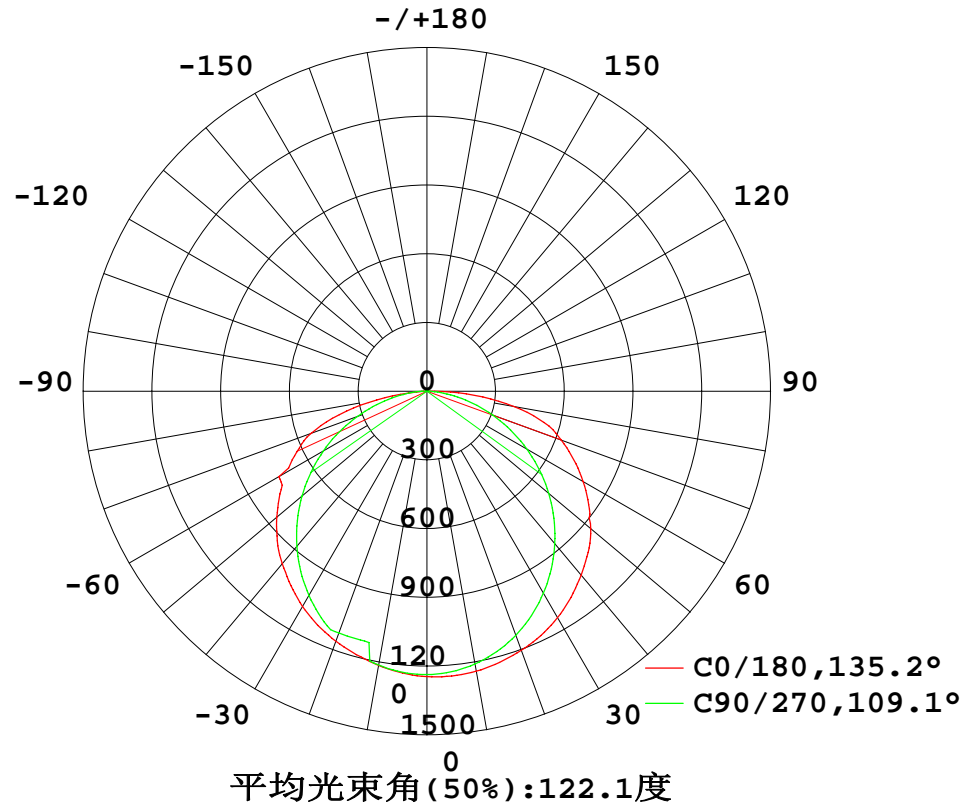
Example product code: [LONON-36W](#)

LONON - -

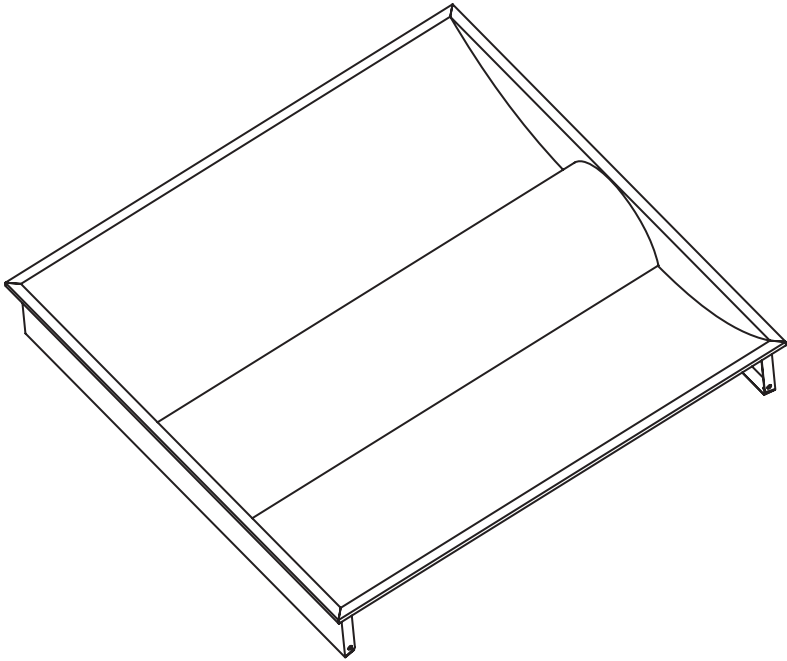
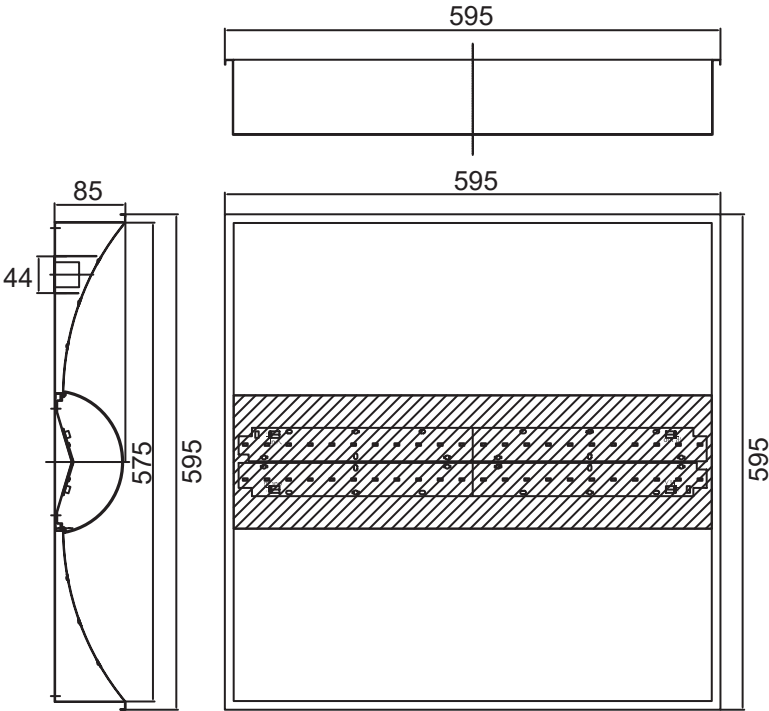
POWER
CONSUMPTION

POWER CONSUMPTION	
Code	Description
25W	25W @ 595x595x85mm
30W	30W @ 595x595x85mm
36W	36W @ 595x595x85mm or @ 1195x595x85mm
40W	40W @ 1195x595x85mm
45W	45W @ 1195x595x85mm
50W	50W @ 1195x595x85mm
60W	60W @ 1195x595x85mm
72W	72W @ 1195x595x85mm

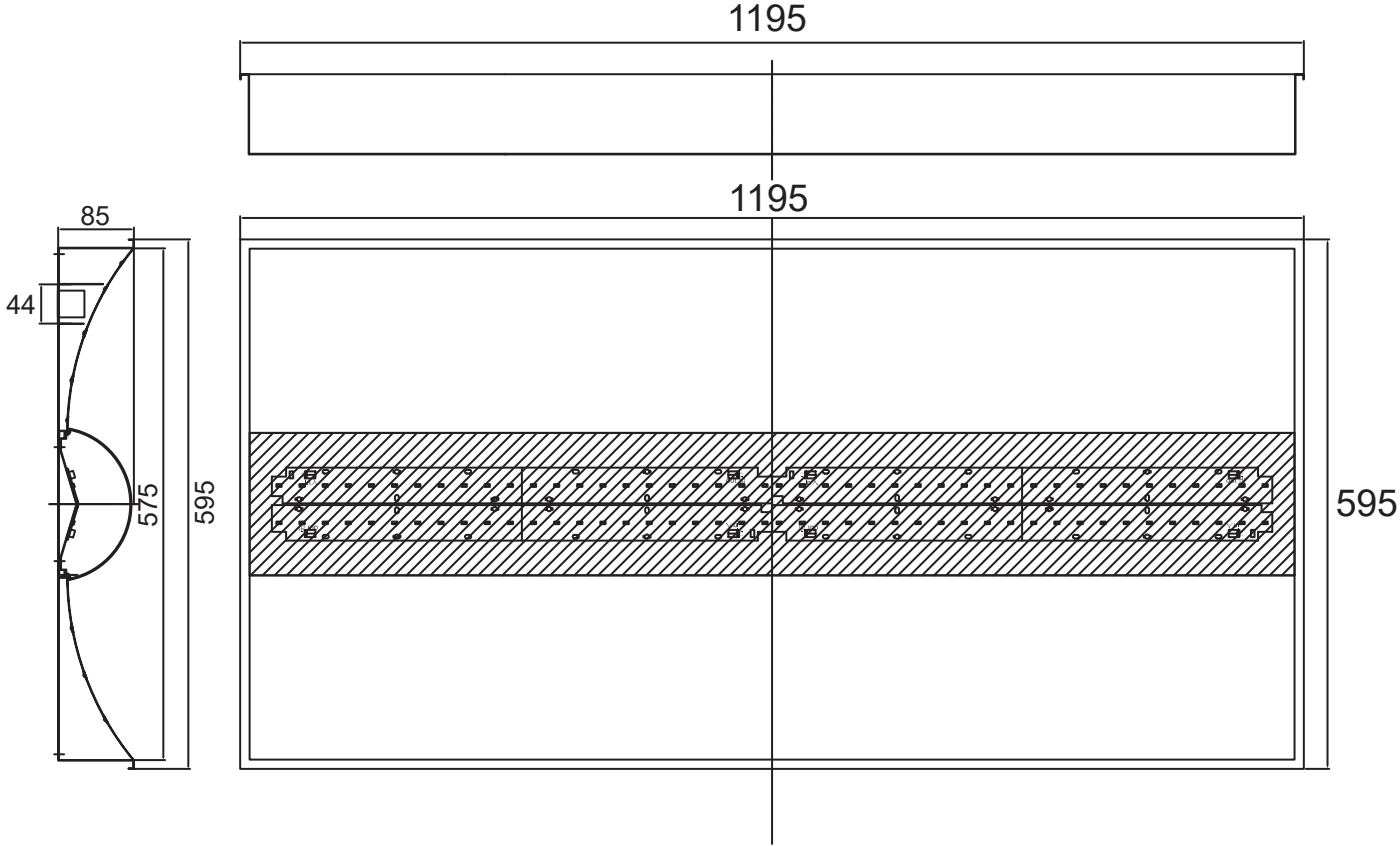
BEAM ANGLE



Technical Drawing



Unit: mm



Unit: mm