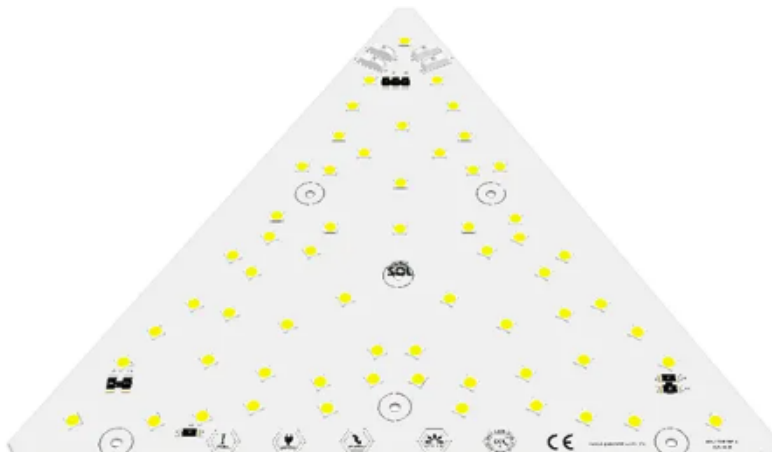
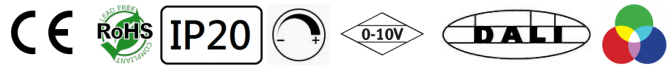




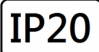



MAIT

3W-20W



- It can be applied in backlight or edge light of giant signage(e.g. advertisement light sign, advertisement light box and billboard) and channel letter. Architectural indoor lights
- LED module: OSRAM LED CRI>80.
- LM-80 performance approve >50,000 hours.
- Work with remote LED Driver for Dimming control

Technical Data

| Luminaire Type-安裝方式 Tipo de luminaria | Surface Mounted Type |
|--|---|
| Power Consumption with LED Driver LED燈具包括LED驅動電源功率 Consumo de energía con controlador de LED | <ul style="list-style-type: none"> • 1W • 2W • 3W • 4W • 5W • Tailor made |
| Input Voltage / 輸入電壓 Voltaje de entrada | DC24V |
| Control Protocol/控制協議 Protocolo de Control | 1-10V / Dali/ DMX 512 / RDM |
| LED Life-LED壽命-La vida del LED | >60,000 hours |
| Color Temperature and Color 色溫和顏色 Temperatura y color del color | 2700K / 3000K / 4000K/ 5000K/ 6500K |
| Color Rendering Index-顯色指數 Índice de reproducción cromática | >90 |
| MacAdam Ellipses Binning 麥克亞當橢圓分級 Mac Adam binning ellipse | Standard Deviation Colour Matching 3 SCDM 標準偏差配色 3 SCDM Coincidencia de color estándar Desviación |
| Beam Angle光束角ángulo de haz | 120 ° |
| Light Source Brand-光源品牌-Fuente de luz de marca | OSRAM |
| "Lumen Maintenance LM-80 Reported by TM-21" | L70> 54,000 hrs |
| Luminaire Efficacy燈具效率 La eficacia de la luminaria | <ul style="list-style-type: none"> • 100Lm/w(2700K), 100 Lm/w(3000K), 110 Lm/w(4000K), • 120 Lm/w(5000K), 120 Lm/w(6500K) |
| LED Source Luminous Efficacy LED光源光效 Fuente luminosa LED Eficacia | <ul style="list-style-type: none"> • 140Lm/w(2700K), 140 Lm/w(3000K), 150 Lm/w(4000K), • 160 Lm/w(5000K), 160 Lm/w(6500K) |
| Housing materials 外殼材料 Materiales de la carcasa | Aluminum 鋁 De aluminio |
| Finish Color 完成顏色Color de acabado | <ul style="list-style-type: none"> • White 白色 Blanco • Black 黑色 Negro |
| Ingress Protection-防護等級 Protección de ingreso | IP20 |
| Operating Temperature Range / 工作溫度範圍 Rango de temperatura de funcionamiento | -20 °C / +50 °C |
| Operating Humidity -工作濕度 Humedad de funcionamiento | 0~90%, non-condensing-不結霜 sin condensación |
| Dimension尺寸Dimensión | Refer to drawing 參考圖紙 Consulte el dibujo |
| Certification-認證-Certificación |       |

| | | |
|---------|----------|------|
| Project | Fixture# | Date |
| | | Firm |



Ordering Information

Choose the option that suits your need and write its corresponding code on the appropriate line to form the product code.

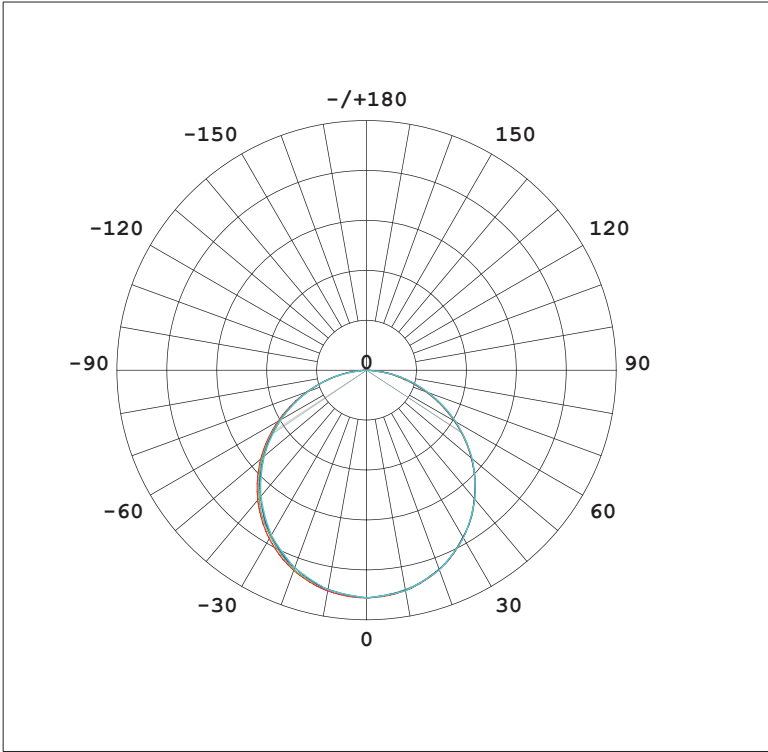
Example product code: [MAIT-5W](#)

MAIT - -

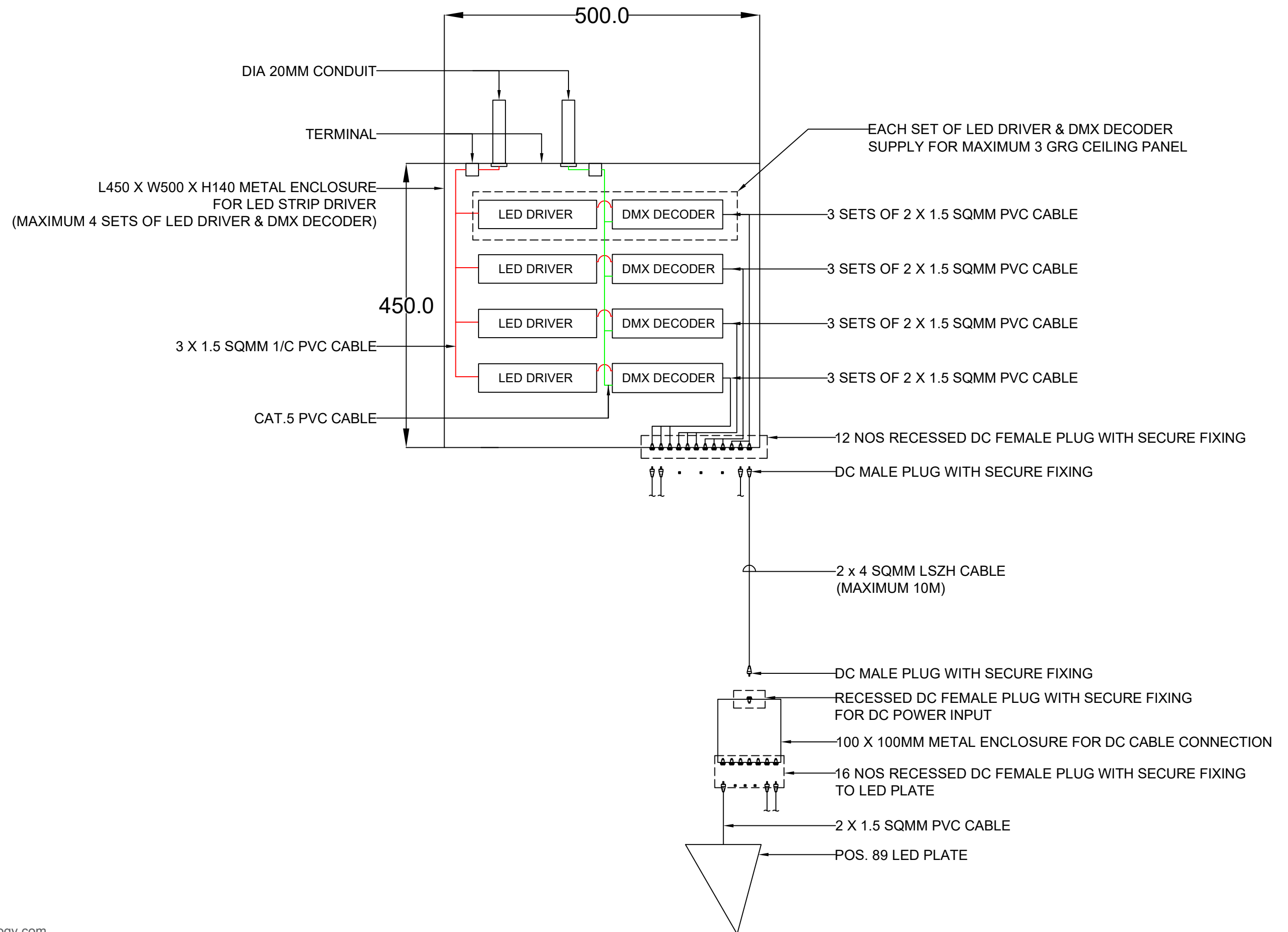
POWER
CONSUMPTION

| POWER CONSUMPTION | |
|-------------------|-------------|
| Code | Description |
| 1W | 1W |
| 2W | 2W |
| 3W | 3W |
| 4W | 4W |
| 5W | 5W |
| TM | Tailor made |

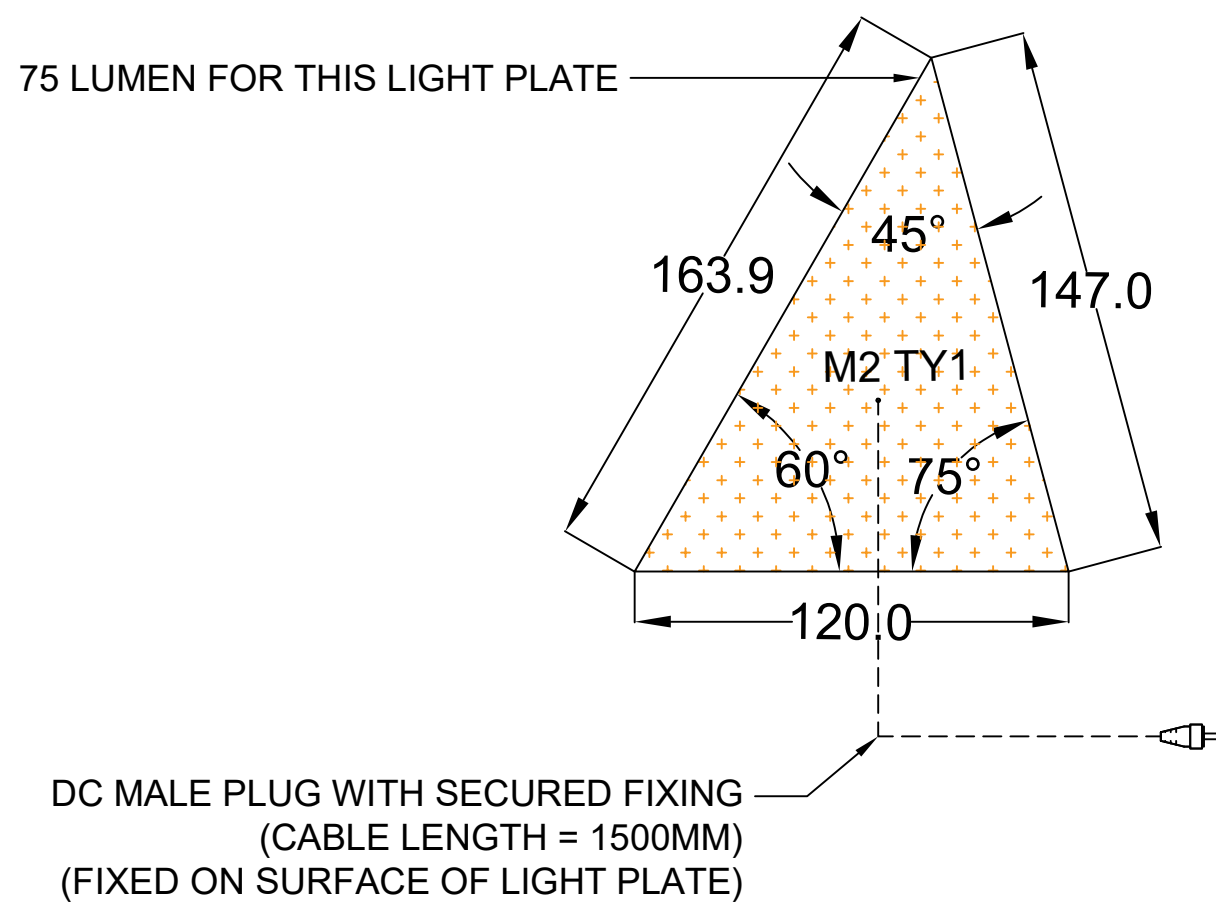
BEAM ANGLE



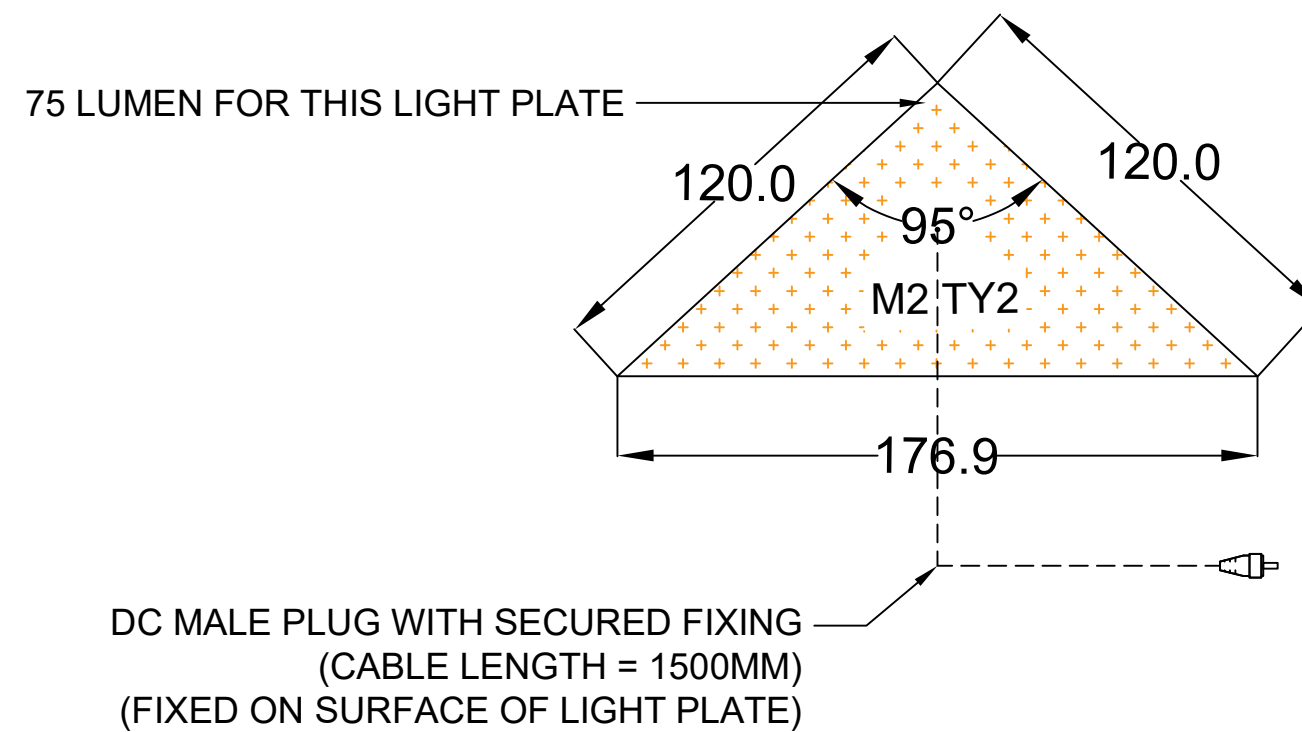
Pos. 89 plug and play connection system:



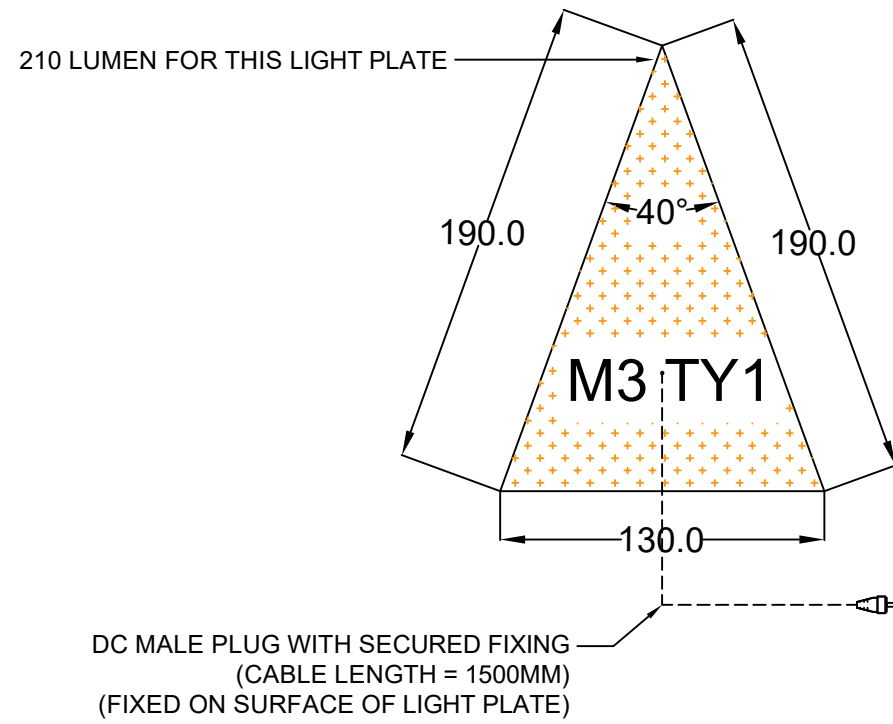
POS. 89 M2-TY1:



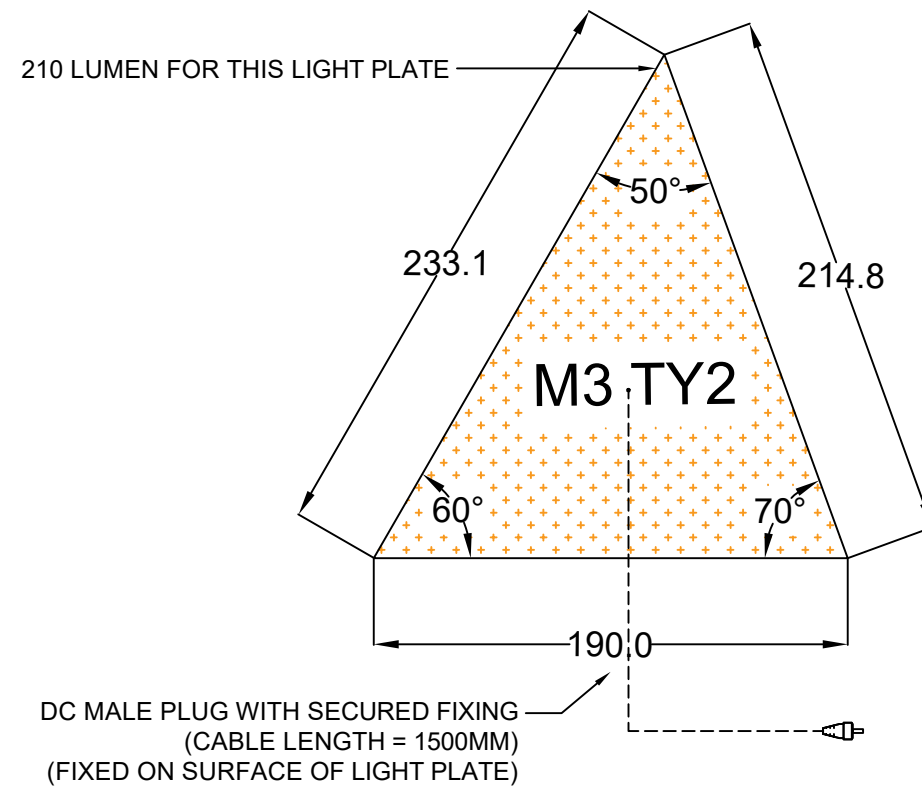
POS. 89 M2-TY2:



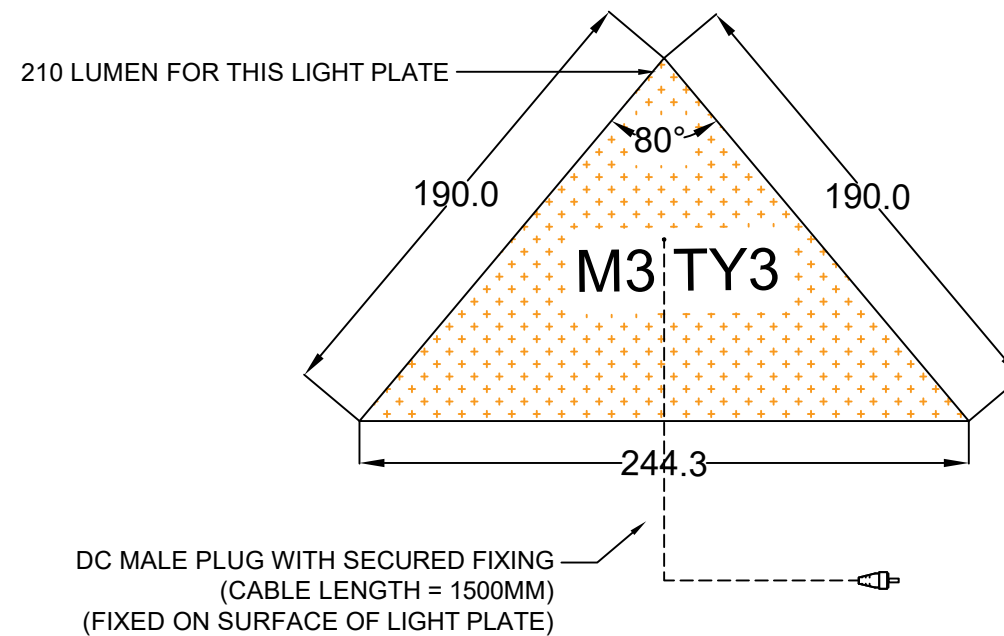
POS. 89 M3-TY1:



POS. 89 M3-TY2:



POS. 89 M3-TY3:



POS. 89 M5:

