

## MIGA

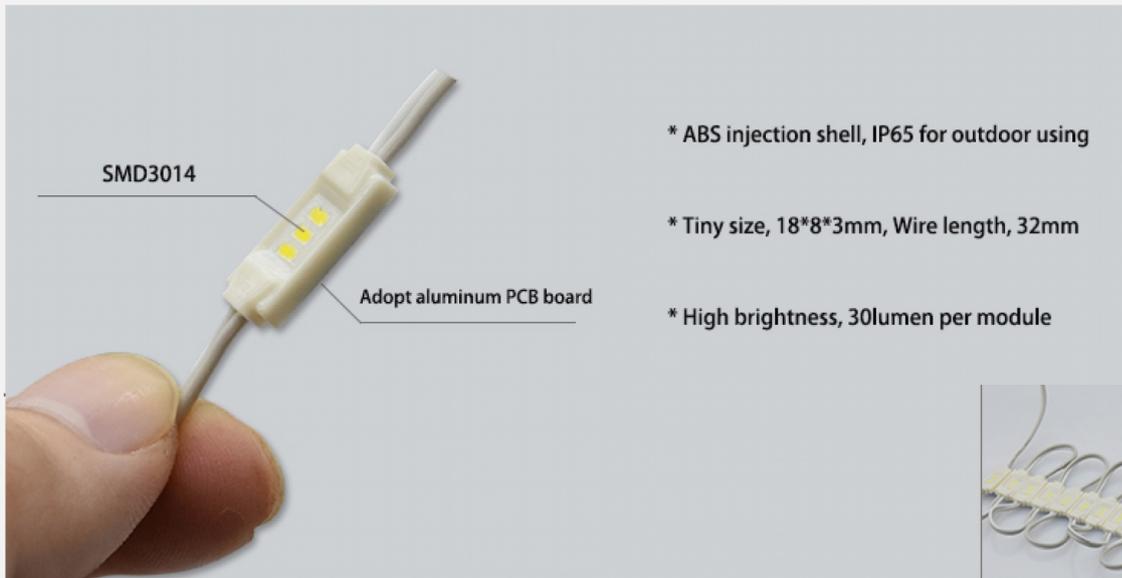
18 x 8mm 0.3W 30lm

IP65

0-10V

DMX

DALI



MINI SMD3014 LED Injection module is able to be controlled by 0-10V and DALI dimming. It can be applied in backlight or edge light of giant signage(e.g. advertisement light sign, advertisement light box and billboard)

## Technical Data

Luminaire Type- 安裝方式 Tipo de luminaria	Surface Mounted Type 明裝式燈具 Superficie Tipo Montado
Dimension-尺寸-Dimensión Pitch -間距-Tono	• L: 18mm x W: 8mm • 50mm (Pitch)
QTY of LEDs-燈珠數量-CANT de LEDs	3 pcs LED SMD 3014
Input Voltage-輸入電壓-Voltaje de entrada	DC12V
Power Consumption Max-燈具功率 Consumo de energía Max	0.3W
LED Driver Type LED驅動款式 Tipo de controlador LED	Remote-type LED Driver--Refer to LED driver specification 請參閱LED驅動器規格 Consulte la especificación de controlador de LED 1. ON/OFF Switch AC220-240V 50/60Hz 2. ELV Dimming Driver (5-100%) AC 100-120V 50/60Hz or AC 200-240V 50/60Hz 3. 0-10V Dimming Driver AC100-240V 50/60Hz 4. Dali Dimming Driver AC100-240V 50/60Hz 5. DMX Driver AC100-240V 50/60Hz 6. RDM Driver AC100-240V 50/60Hz
Control Protocol-控制協議 Protocolo de Control	0-10V / Dali / DMX 512 / RDM / ZIGBEE Wireless Control
Beam Angle 光束角 ángulo de haz	120°
Light Source Brand-光源品牌-Fuente de luz de marca	Epistar SMD 3014
LED Life-LED壽命-La vida del LED	>60,000 hours
Color Temperature -色溫 Temperatura del color	2700K / 3000K / 4000K / 5000K / 6500K
Color Rendering Index-顯色指數 Índice de reproducción cromática	> 80
MacAdam Ellipses Binning 麥克亞當橢圓分級 Mac Adam binning elipse	Standard Deviation Colour Matching < 3 SDCM 標準偏差配色 < 3 SDCM Coincidencia de color estándar Desviación < 3 SDCM
Luminaire Flux 光通量 Flujo de luminarias	• 25 LM (2700K), • 25 LM(3000K), • 30 LM(4000K), • 32 LM(5000K), • 32 LM(6500K),
Max. qty in series ( ) 最高串聯數量 Max. cantidad en serie	30 PCS
Housing materials-外殼材料 Materiales de la carcasa	ABS-Acrylonitrile butadiene styrene 丙烯腈丁二烯苯乙烯 Acrylonitrilo butadieno estireno
Housing Color 外殼顏色 color de la carcasa	Milky 乳白色 Milky
Ingress Protection-防護等級 Protección de ingreso	IP65
Comply Testing Standard 符合測試標準 Cumplir el estándar de prueba	LED Luminaires: IEC 60598-1 / IEC 60598-2-2 / Photometric data-IES format LED Driver: EN 55015 / IEC 61000-3-2 / IEC 61347-1 / IEC 61347-2-13 / IEC 61547W
Certification-認證-Certificación	   

Project	Fixture#	Date
		Firm



## Ordering Information

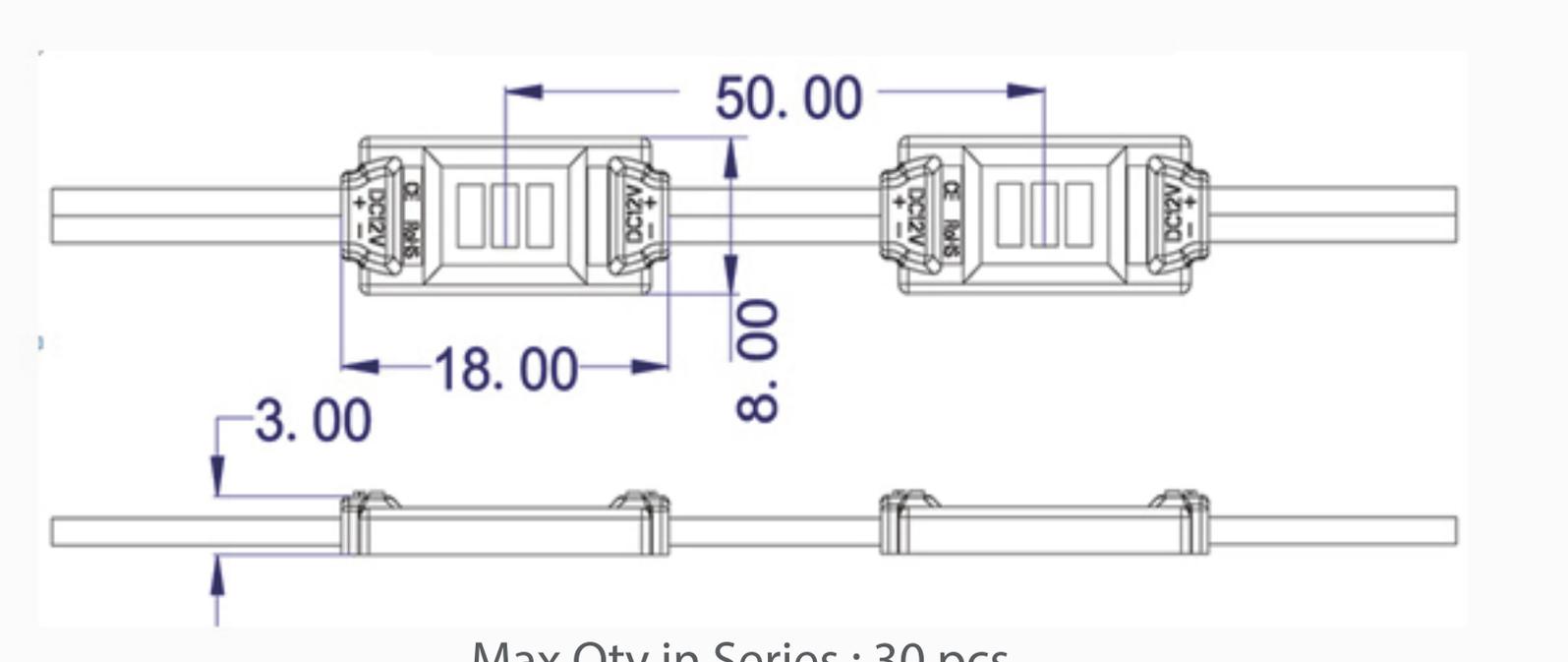
Choose the option that suits your need and write its corresponding code on the appropriate line to form the product code.

Example product code: [MIGA-0.3W](#)

MIGA -           0.3W            
Power Consumption

Power Consumption	
Code	Description
<a href="#">0.3W</a>	0.3W

Technical Drawing



Max Qty in Series : 30 pcs

Unit: mm