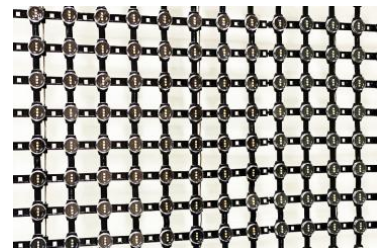
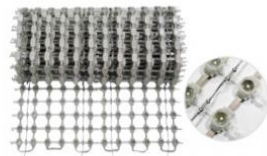
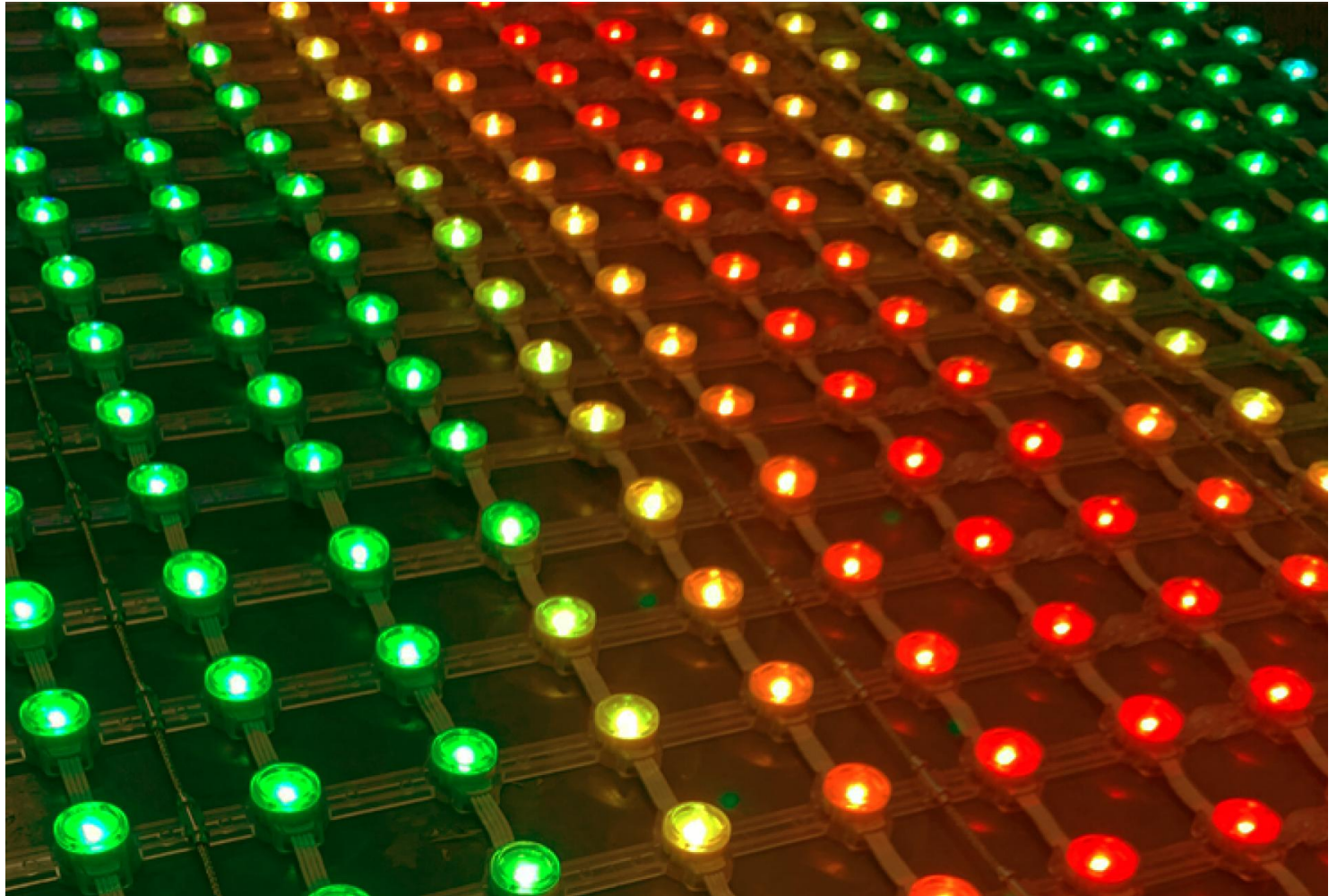
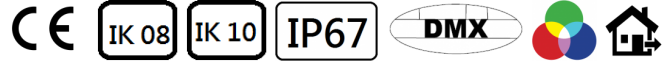


PIYAD


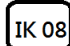
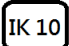
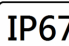



D20mm P50&100&150 0.3W IP67



LED PIXEL LIGHT

- Ultra flexible design make it can be curved freely to achieve creative shapes like arch, circle, wave, customized size available.
- High transparent rate, easy for stage light, fog, lasers go through the screen to create superb visual effect.
- Fast inter-panel locks make it quick and easy to set up and dismantle large-scaled screen, no tools required.
- Quick hanging up by using the following two pieces of connector. Head and tail of the panel, with waterproof connectors
- Optional control system : DMX 512A or SPI
- UV resistance,UL V0 flame retardant grade

Technical Data

Luminaire Type- 安裝方式 Tipo de luminaria	Surface Mounted Type With 7pcs 2.0mm ² Steel Rope Per Meter 明裝式燈具 (2.0mm ² 鋼絲固定, 每米7條) Tipo montado en superficie con 7pcs 2.0mm ² cuerda de acero por metro
Dimension-尺寸-Dimensión	Dia 20 x H: 13.6 mm
Power Consumption Max-燈具功率 Consumo de energía Max	• 0.3W Per Pixel Max 120W/m ² = 400pcs /m ² @ P50mm • 120W / m ² @ P50 30W / m ² @ P100 13.2W / m ² @ P150
LED Pitch LED像素間距 LED Pitch	• 62.5 mm • 100 mm • 120 mm • 160 mm • can be customized
Input Voltage-輸入電壓-Voltaje de entrada	DC12V
Control Protocol-控制協議 Protocolo de Control	• DMX 512A • SPI
Pixels & DMX Channels 像素和DMX 通道 Píxeles y canales DMX	1 PXL = 3 DMX Channels @ 1 pcs
Beam Angle光東角ángulo de haz	120°
Light Source Brand-光源品牌-Fuente de luz de marca	EPISTAR
"Lumen Maintenance LM-80 Reported by TM-21"	L70(10k) > 63,500 hrs
LED Life-LED壽命-La vida del LED	>60,000 hours
Color 顏色 color	RGB
Color Range 顏色範圍 Gama de colores	16.7 Million additive RGB colors 1670萬RGB顏色 16,7 millones de colores RGB aditivos
MacAdam Ellipses Binning 麥克亞當橢圓分級 Mac Adam binning ellipse	Standard Deviation Colour Matching < 3 SDCM 標準偏差配色 < 3 SDCM Coincidencia de color estándar Desviación < 3 SDCM
Luminaire Efficacy燈具效率La eficacia de la luminaria	• 22 Lm/w(RGB), 27lm/w (RGBW)
Brightness亮度Brillo	650 cd/m ²
Housing materials-外殼材料 Materiales de la carcasa	Polycarbonate molding (Anti-UV and UL-V0 flame retardant protected) PC 聚碳酸酯成型 (防紫外線和UL-V0阻燃保護) oldura de policarbonato (con protección ignífuga anti-UV y UL-V0)
Unit Dimension 單元尺寸 Dimensión de la unidad	W:400 x L: 6000 mm Max. Per unit
Housing Color外殼顏色color de la carcasa	Matte black / Matte gray / Transparent 啞光黑色 / 啞光灰色/透明 Negro mate / gris mate / Negra mate / gris mate / transparente
Diffuser Color 擴散器顏色 Color del difusor	Clear / Opal / Frosted 透明/乳白/磨砂 Transparente / Ópalo / Esmerilado
Fireproof Grade 防火等級 Grado a prueba de fuego	UL94 -V0
UV Resistance Level 抗紫外線等級 Nivel de resistencia a los rayos UV	Grade 4
Ingress Protection-防護等級 Protección de ingreso	IP67
Fireproof Grade 防火等級 Grado a prueba de fuego	• UL94 -V0
UV Resistance Level抗紫外線等級 Nivel de resistencia a los rayos UV	4
Operating Humidity -工作濕度 Humedad de funcionamiento	0~90%, non-condensing-不結霜 sin condensación
Weight 重量 Peso	3.2kg / m ² @ P50 1.25kg / m ² @ P100 0.55kg / m ² @ P150
Mech impact protection 機械衝擊保護 Protección contra impactos mecánicos	IK08
Comply Testing Standard 符合測試標準 Cumplir el estándar de prueba	LED Luminaires: IEC 60598-1 / IEC 60598-2-1
Certification-認證-Certificación	      

Project	Fixture#	Date
		Firm



Ordering Information

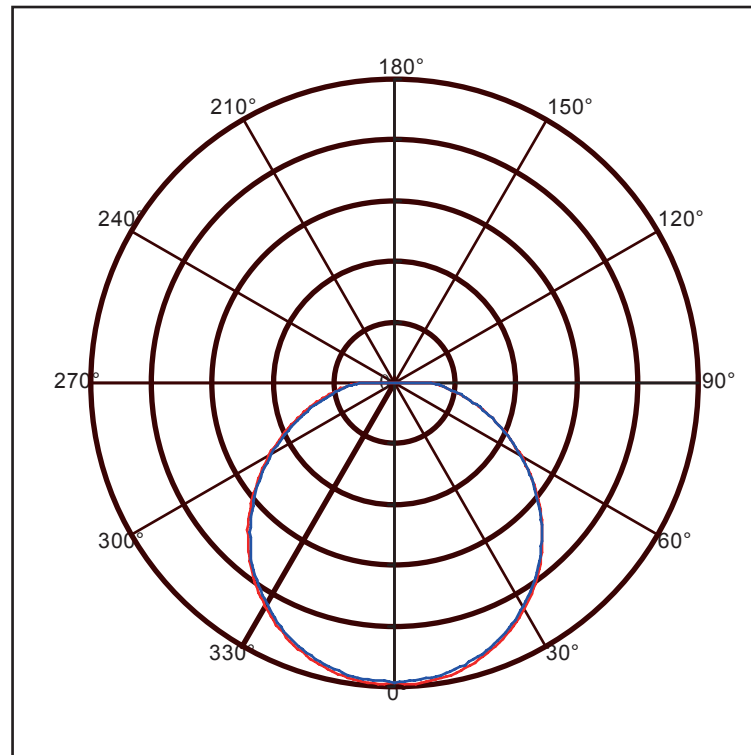
Choose the option that suits your need and write its corresponding code on the appropriate line to form the product code.

Example product code: [PIYAD-120W](#)

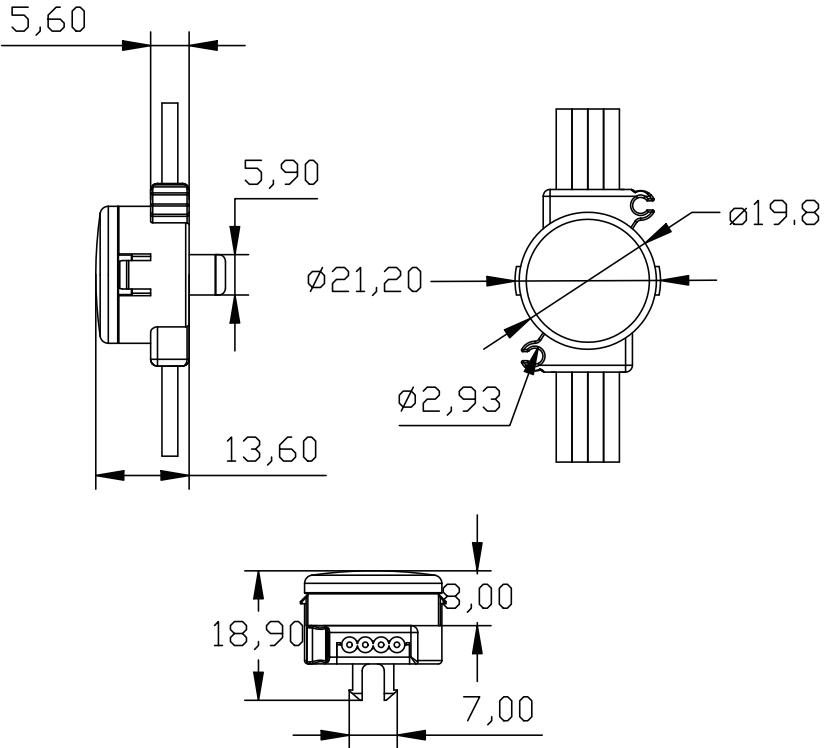
PIYAD - - _____
Power Consumption

Power Consumption	
Code	Description
13.2W	13.2W @ 44PCS per squarer meter @ P150
30W	30W @ 100PCS per squarer meter @ P100
120W	120W @ 400PCS per squarer meter @ P50

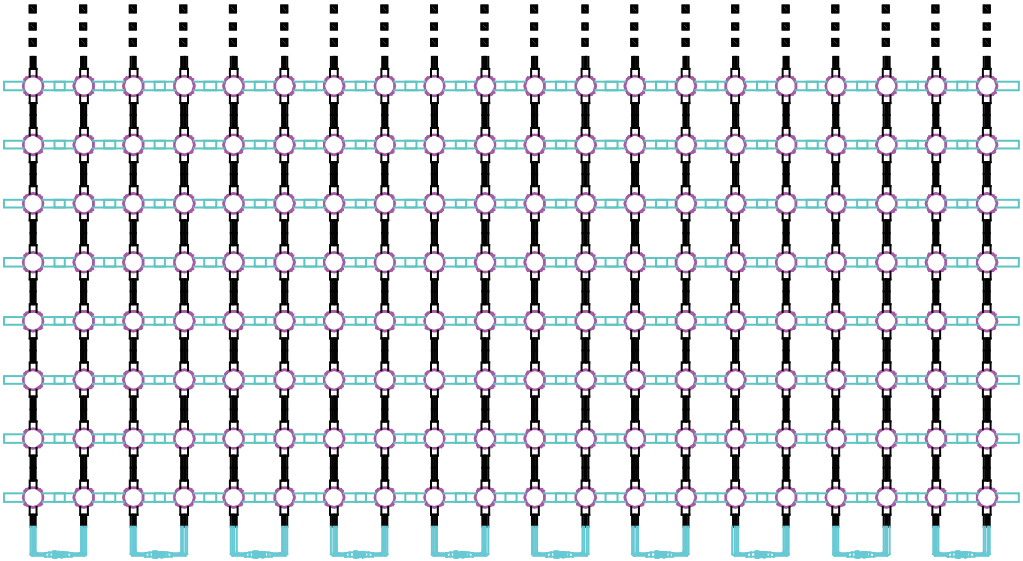
BEAM ANGLE



Technical Drawing



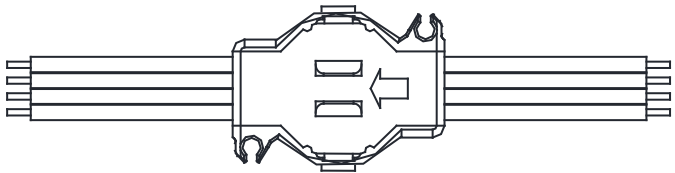
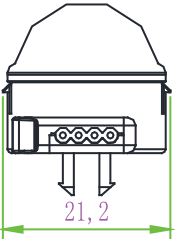
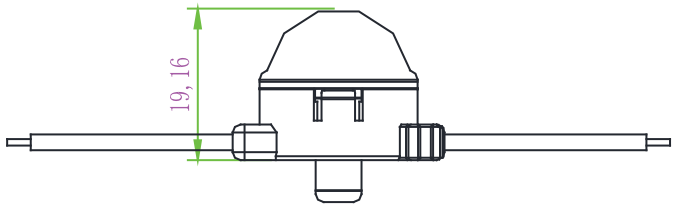
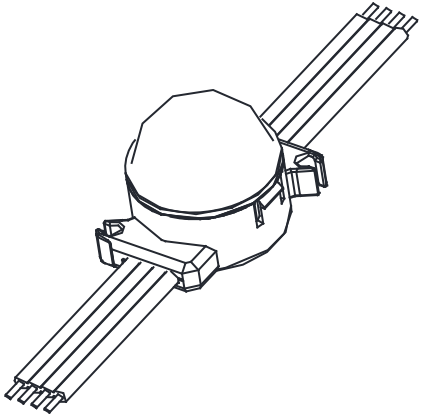
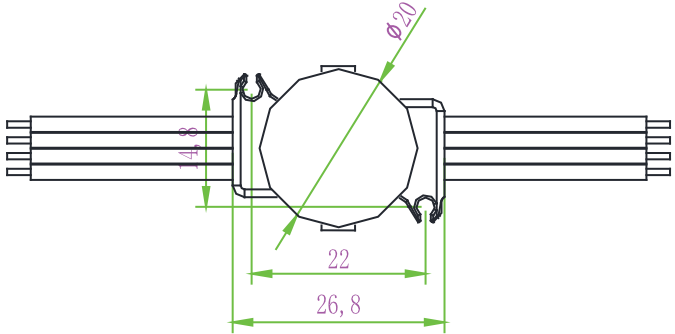
Clear or Frosted Diffuser



P50、 P100、 P150(Refer image)

Unit: mm

Technical Drawing



Opal Diffuser

Unit: mm