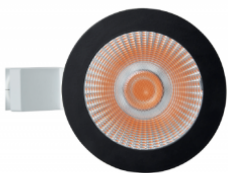
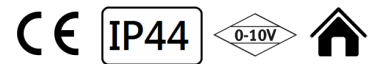


T-ZORA

12W-30W


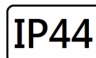
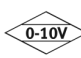



TRACE track light. Housing: die-cast aluminium, powder-coated, designed as heat sink. Anti-glare reflector and diffusor system made of PMMA. LED module: high-power CREE LEDs Array, CRI>80, LM-80 performance approval >50,000 hours. Integrated-Type ELV , 0-10V and DALI LED constant current control gear.

Technical Data

Luminaire Type-安裝方式Tipo de luminaria

Track Mounted Type 軌道燈具Tipo de huella Montado

Dimension-尺寸-Dimensión	<ul style="list-style-type: none"> • DIA 95 x D 62 x H: 201 mm @ 12W / 15W • DIA 110 x D 62 x H: 212 mm @ 18W / 20W • DIA 110 x D 82 x H: 212 mm @ 26W / 28W / 30W
QTY of LEDs-燈珠數量-CANT de LEDs	1 pcs CREE LED Array
Input Voltage-輸入電壓-Voltaje de entrada	AC220-240V 50/60HZ
Power Consumption Max-燈具功率 Consumo de energía Max	<ul style="list-style-type: none"> • DIA 95 x D 62 : 12W 15W • DIA 110 x D 62 : 18W 20W • DIA 110 x D 82 : 26W 28W 30W
LED Driver Type LED驅動款式 Tipo de controlador LED	<p>Integrated-type or Remote-type LED Driver--Refer to LED driver specification 請參閱LED驅動器規格 Consulte la especificación de controlador de LED</p> <p>1. ON/OFF Switch AC220-240V 50/60HZ @ Integrated-type 2. 1-10V Dimming Driver AC100-240V 50/60HZ</p>
LED Driver Features 驅動特性 Funciones del controlador de LED	POWER FACTOR : PF0.90 @ Full Load
Control Protocol-控制協議 Protocolo de Control	0-10V / Dali / DMX 512 / RDM / ZIGBEE Wireless Control
Beam Angle-光束角ángulo de haz	• 15° 24° 36°
Light Source Brand-光源品牌-Fuente de luz de marca	CREE
"Lumen Maintenance LM-80 Reported by TM-21"	L70(10k) > 63,500 hrs
LED Life-LED壽命-La vida del LED	>60,000 hours
Color Temperature -色溫 Temperatura del color	2700K / 3000K / 4000K / 5000K / 6500K
Color Rendering Index-顯色指數 Índice de reproducción cromática	>90
MacAdam Ellipses Binning 麥克亞當橢圓分級 Mac Adam binning elipse	<p>Standard Deviation Colour Matching < 3 SDCM 標準偏差配色 < 3 SDCM Coincidencia de color estándar Desviación < 3 SDCM</p>
Luminaire Efficacy燈具效率 La eficacia de la luminaria	<ul style="list-style-type: none"> • 80 Lm/w(2700K), 80 Lm/w(3000K), 85 Lm/w(4000K), • 90 Lm/w(5000K), 90 Lm/w(6500K),
LED Source Luminous EfficacyLED光源光效 Fuente luminosa LED Eficacia	<ul style="list-style-type: none"> • 120 Lm/w(2700K), 120 Lm/w(3000K), 125 Lm/w(4000K), • 130 Lm/w(5000K), 130Lm/w(6500K),
Housing materials-外殼材料 Materiales de la carcasa	<p>Die-cast aluminum and PMMA Lens 壓鑄鋁和PMMA透鏡 Aluminio fundido a troquel y lente de PMMA</p>
Housing Color外殼顏色 color de la carcasa	<p>Powder Coating :Matte black body / Matte white body 粉末塗料：啞光黑色燈身 / 啞光白色燈身 Recubrimiento en polvo: cuerpo negro mate / cuerpo blanco mate</p>
Operating Temperature Range / 工作溫度範圍 Rango de temperatura de funcionamiento	-30 °C / +50 °C
Operating Humidity -工作濕度 Humedad de funcionamiento	0~90%, non-condensing-不結霜sin condensación
Ingress Protection-防護等級 Protección de ingreso	IP44
Comply Testing Standard 符合測試標準 Cumplir el estándar de prueba	<p>LED Luminaires: IEC 60598-1 / IEC 60598-2-2 / Photometric data-IES format LED Driver: EN 55015 / IEC 61000-3-2 / IEC 61347-1 / IEC 61347-2-13 / IEC 61547</p>
Certification-認證-Certificación	   

Project	Fixture#	Date
		Firm

Ordering Information

Choose the option that suits your need and write its corresponding code on the appropriate line to form the product code.

Example product code: [T-ZORA-28W](#)

T-ZORA - - _____
Power Consumption

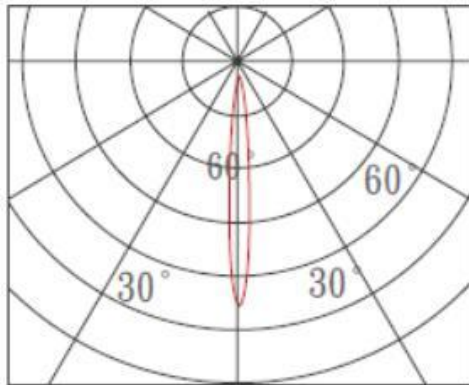
Power Consumption	
Code	Description
12W	12W @ DIA 95 x D 62 x H:201 mm
15W	15W@ DIA 95 x D 62 x H:201 mm
18W	18W@ DIA 110 xD 62 x H: 212mm
20W	20W@ DIA 110 xD 62 x H: 212mm
26W	26W@ DIA 110 x D 82 xH: 212mm
28W	28W@ DIA 110 x D 82 xH: 212mm
30W	30W@ DIA 110 x D 82 xH: 212mm

— Details
of
the
figure

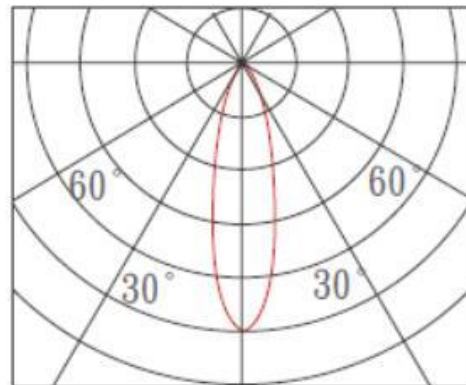


Beam Angle

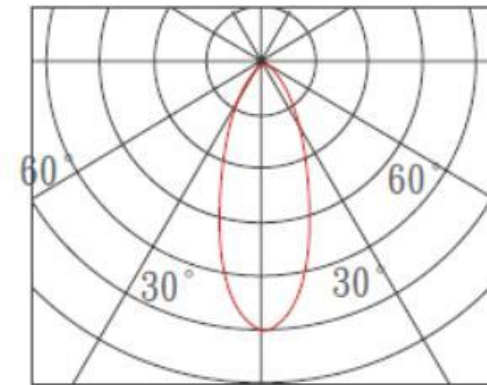
15°

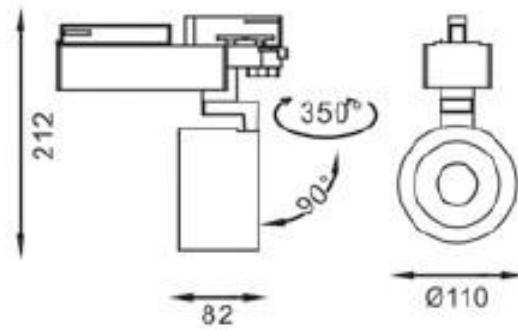


24°

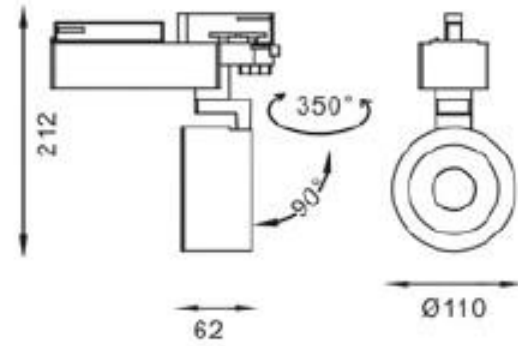


36°

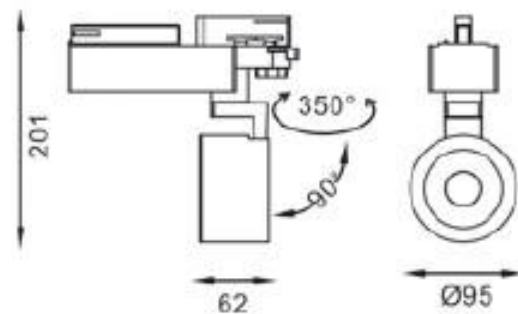




26W/30W



18W/20W



12W/15W