

TECOFI

40W Max IP20



Optional Color



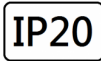
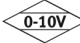


White

Black



Track light. Housing: die-cast aluminium with powder-coated,
Minimalist design, beautiful and easy to install
Classic black and white presentation, suitable for versatile scenes
Built-in flicker free constant current driver, high power factor, stable performance
The lamp can be rotated 350° horizontally and 90° vertical for multi-directional illumination
High CRI and Anti-glare Control

Technical Data

Luminaire Type-安裝方式Tipo de luminaria	Track Mounted Type 軌道燈具Tipo de huella Montado
Dimension-尺寸-Dimensión	Dia 65 x H: 130 (H:218) mm Dia 75 x H: 160 (H:250) mm Dia 85 x H: 160 (H:265) mm
Input Voltage-輸入電壓-Voltaje de entrada	AC220-240V 50/60HZ
Power Consumption Max-燈具功率 Consumo de energía Max	Dia 65 x H: 130 (H:218) mm : 15W 20W Dia 75 x H: 160 (H:250) mm : 25W 30W Dia 85 x H: 160 (H:265) mm : 35W 40W
LED Driver Type LED驅動款式 Tipo de controlador LED	Integrated-type LED Driver--Refer to LED driver specification 請參閱LED驅動器規格 Consulte la especificación de controlador de LED 1. ON/OFF Switch AC220-240V 50/60HZ --Refer to LED Driver data sheet 2. Dali Dimming Driver AC100-240V 50/60HZ --Refer to LED Driver data sheet 3. DC48W ON/OFF -48VDC low voltage track system --Refer to LED Driver data sheet 4. DC48W DALI -48VDC low voltage track system --Refer to LED Driver data sheet
LED Driver Features驅動特性 Funciones del controlador de LED	POWER FACTOR : PF>0.9 TOTAL HARMONIC DISTORTION: THD< 20%
Beam Angle光束角ángulo de haz	15° 24° 36°
Light Source Brand-光源品牌-Fuente de luz de marca	BRIDGELUX COB
"Lumen Maintenance LM-80 Reported by TM-21"	L70(10k) > 65,000 hrs
LED Life-LED壽命-La vida del LED	>60,000 hours
Color Temperature -色溫 Temperatura del color	2700K / 3000K / 4000K / 5000K / 6500K
Color Rendering Index-顯色指數 Índice de reproducción cromática	>90
MacAdam Ellipses Binning 麥克亞當橢圓分級 Mac Adam binning elipse	Standard Deviation Colour Matching < 3 SDCM標準偏差配色< 3 SDCM Coincidencia de color estándar Desviación < 3 SDCM
Luminaire Efficacy燈具效率 La eficacia de la luminaria	80 Lm/w(2700K), 80 Lm/w(3000K), 90 Lm/w(4000K), 100Lm/w(5000K), 100Lm/w(6500K),
LED Source Luminous EfficacyLED光源光效 Fuente luminosa LED Eficacia	130 Lm/w(2700K), 130Lm/w(3000K), 140 Lm/w(4000K), 150Lm/w(5000K), 150Lm/w(6500K),
Housing materials-外殼材料 Materiales de la carcasa	Die-cast aluminum and acrylic壓鑄鋁和亞克力 Fundición de aluminio y acrílico
Housing Color外殼顏色color de la carcasa	Powder Coating :Matte black or Matte white body 粉末塗料: 啞光黑色 / 啞光白色
Accessories 配件Accesorios	6 WIRES 3 CIRCUITS DALI TRACK SYSTEM refer to Accessories data sheet 4 WIRES 3 CIRCUITS TRACK SYSTEM refer to Accessories data sheet 4 WIRES 2 CIRCUITS TRACK SYSTEM refer to Accessories data sheet 48V LOW VOLTAGE TRACK SYSTEM refer to Accessories data sheet
Ingress Protection-防護等級 Protección de ingreso	IP20
Operating Humidity -工作濕度 Humedad de funcionamiento	0~90%, non-condensing-不結霜 sin condensación
Operating Temperature Range / 工作溫度範圍 Rango de temperatura de funcionamiento	-30 °C / +50 °C
Comply Testing Standard 符合測試標準 Cumplir el estándar de prueba	LED Luminaires: IEC/EN 60598-1 ; IEC/EN 60598-2-1 ; IEC/ EN62493 ; IEC/EN 62301 ; IEC TR 62778 & IEC 62471 LED Driver: EN 55015 / IEC 61000-3-2 / IEC 61347-1 / IEC 61347-2-13 / IEC 61547
Certification-認證-Certificación	   

Project	Fixture#	Date
		Firm



Ordering Information

Choose the option that suits your need and write its corresponding code on the appropriate line to form the product code.

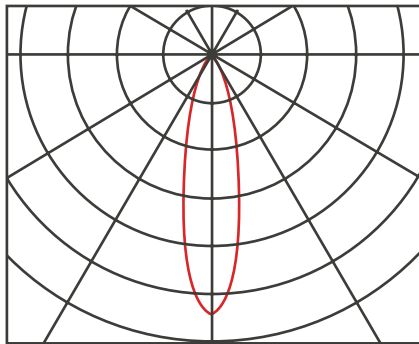
Example product code: [TECOFI-20W](#)

TECOFI - - _____
Power Consumption

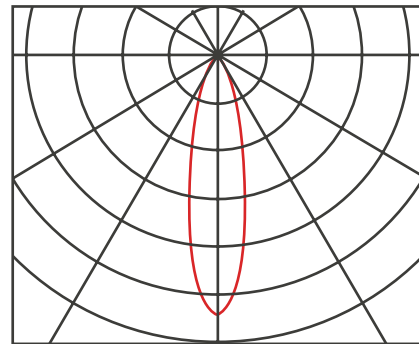
Power Consumption	
Code	Description
15W	Dia 65mm : 15W
20W	Dia 65mm : 20W
25W	Dia75mm : 25W
30W	Dia75mm : 30W
35W	Dia85mm : 35W
40W	Dia85mm : 40W

Beam Angle

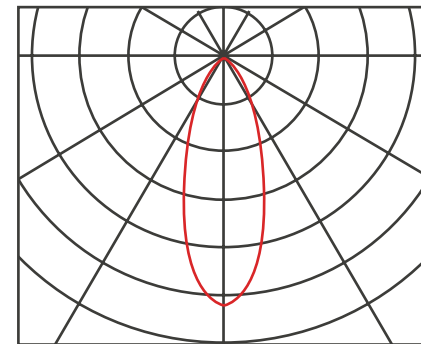
15°



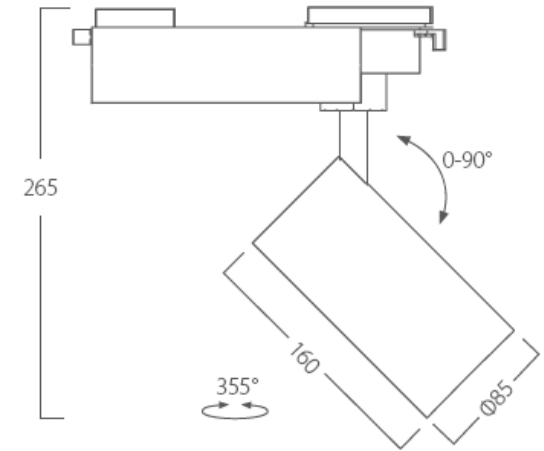
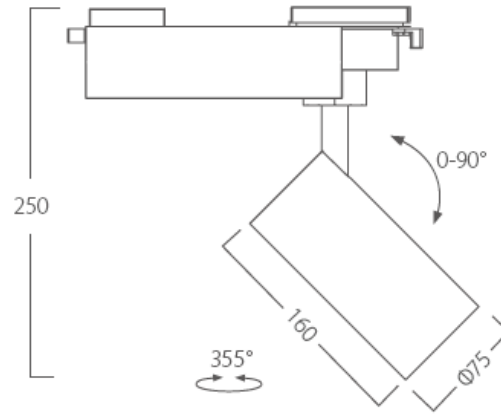
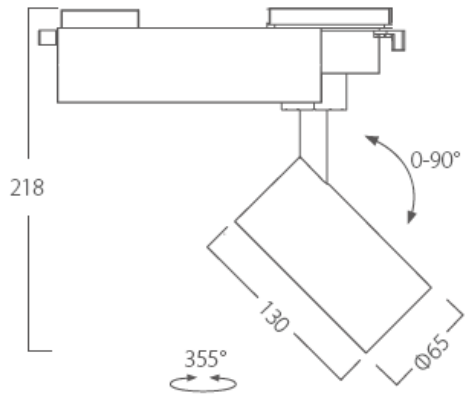
24°



36°



Technical Drawing



Optional Color



White



Black

Unit: mm