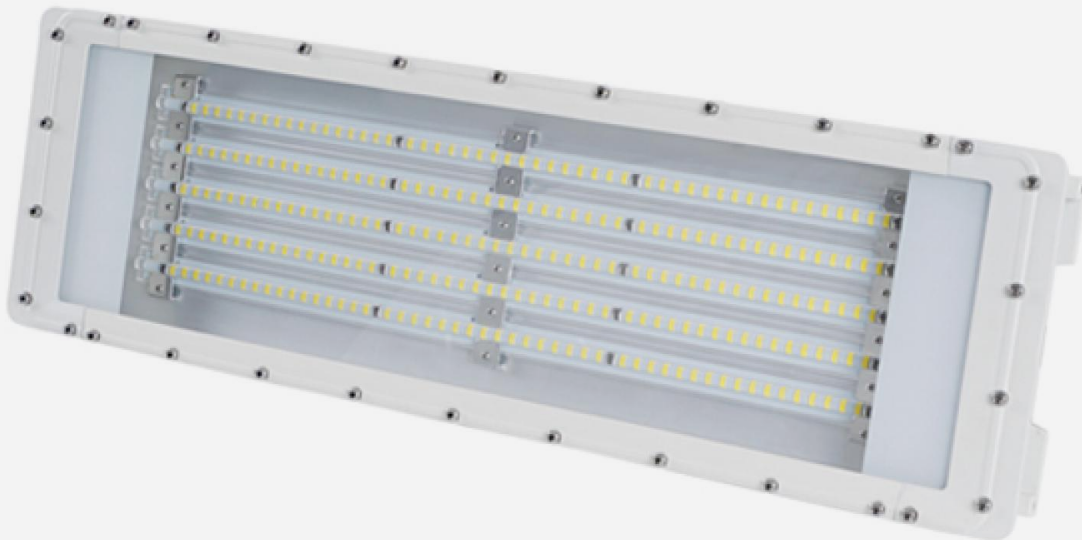



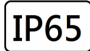





TUCKE

200W Max IP65



LED Tunnel Light is finished by die-cast aluminium with separated and integrated LED driver box , with mechanical and chemical anti-corrosion treatment, uv resistant exterior paint system, flat tempered glass cover, double chromed steel plate after painting. It's as well a great alternative to urban furniture due to its IP65 protection rating and IK07 Impact protection. And It is able to be controlled by ELV, 0-10V,DALI,Zigbee dimming system. LED module: high-power CREE. LM-80 performance approval >50,000 hours.

Technical Data

Luminaire Type- 安裝方式 Tipo de luminaria	Bracket Mounting 支架安裝 Poste de montaje del soporte
Power Consumption with LED Driver LED燈具包括LED驅動電源功率 Consumo de energía con controlador de LED	<ul style="list-style-type: none"> • 110W @ L:603 mm • 150W @ L:603 mm • 200W @ L:745 mm
Input Voltage / 輸入電壓 Voltaje de entrada	220-240VAC / 50-60Hz
Control Protocol/控制協議 Protocolo de Control	0-10V / Dali / DMX 512 / RDM / ZIGBEE Wireless Control
Power Factor / 功率因數/Factor de potencia	PF>0.95
Total Harmonic Distortion/總諧波失/Distorsión armónica total	THD<18%
Light Source Brand-光源品牌-Fuente de luz de marca	OSRAM - (Photobiological safety-IEC 62471 'Risk Group 1' (low risk))
LED Life-LED壽命-La vida del LED	L70 (70% Luminous flux) > 60,000 hrs at 35°C
Color Temperature and Color 色溫 and 顏色 Temperatura y color del color	2700K / 3000K / 4000K / 5000K / 6500K
Color Rendering Index-顯色指數 Índice de reproducción cromática	<ul style="list-style-type: none"> • >70 • >80
MacAdam Ellipses Binning 麥克亞當橢圓分級 Mac Adam binning elipse	Standard Deviation Colour Matching < 3 SDCM 標準偏差配色 < 3 SDCM Coincidencia de color estándar Desviación < 3 SDCM
Beam Angle 光束角 ángulo de haz	<ul style="list-style-type: none"> • Asymmetric Optical Type :30° x 110° • Asymmetric Optical Type :40° x 110°
Luminaire Efficacy 燈具效率 La eficacia de la luminaria	<ul style="list-style-type: none"> • 95 Lm/w(2700K), • 95 Lm/w(3000K), • 100 Lm/w(4000K), • 105 Lm/w(5000K), • 105 Lm/w(6500K),
LED Source Luminous Efficacy LED光源光效 Fuente luminosa LED Eficacia	<ul style="list-style-type: none"> • 110 Lm/w(2700K), • 110 Lm/w(3000K), • 115 Lm/w(4000K), • 130 Lm/w(5000K), • 130 Lm/w(6500K),
Housing materials 外殼材料 Materiales de la carcasa	Die-cast aluminium and Tempered Glass 壓鑄鋁和鋼化玻璃 Aluminio fundido a presión y Vidrio templado
Housing Color 外殼顏色 color de la carcasa	<ul style="list-style-type: none"> • UV resistant Powder Coating :Matte Black RAL 9005 / Matte White RAL 9003 / Matte GrayRAL 9006 • 抗紫外線粉末塗料：啞光黑色燈身 RAL 9005 / 啞光白色燈身 RAL9003 / 啞光灰色燈身 RAL 9006 • Resistente a los rayos UV Recubrimiento en Polvo: Matte Black RAL 9005 / Matte Blanco RAL 9003 / Gris Mate RAL 9006
Ingress Protection-防護等級 Protección de ingreso	IP65 (EN60529)
Operating Temperature Range / 工作溫度範圍 Rango de temperatura de funcionamiento	-30 °C / +50 °C
Mech impact protection 機械衝擊保護 Protección contra impactos mecánicos	IK07
Operating Humidity -工作濕度 Humedad de funcionamiento	0~90%, non-condensing-不結霜 sin condensación
Dimension 尺寸 Dimensión	<ul style="list-style-type: none"> • L: 603 x W:182 x H: 139 mm (With mounting bracket) • L: 745 x W:182 x H: 119 mm
Certificate Standard Complied 符合安規標準 estándar certificado de cumplimiento	IEC/EN 60598-1;IEC/EN 60598-2-3;EN 62493 EN 61547 ;EN 61000-3-2; EN 61000-3-3;EN 55015
Certification-認證-Certificación	      

Project	Fixture#	Date
		Firm



Ordering Information

Choose the option that suits your need and write its corresponding code on the appropriate line to form the product code.

Example product code: [TUCKE-150W-SW-30-S-70](#)

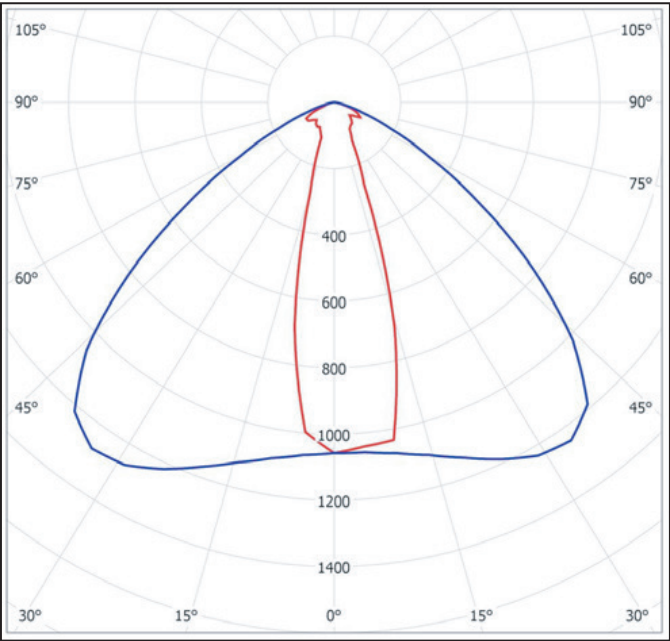
TUCKE - - - - -

POWER CONSUMPTION
LED DRIVER TYPE
COLOR TEMPERATURE
BEAM ANGLE
COLOR RENDERING INDEX

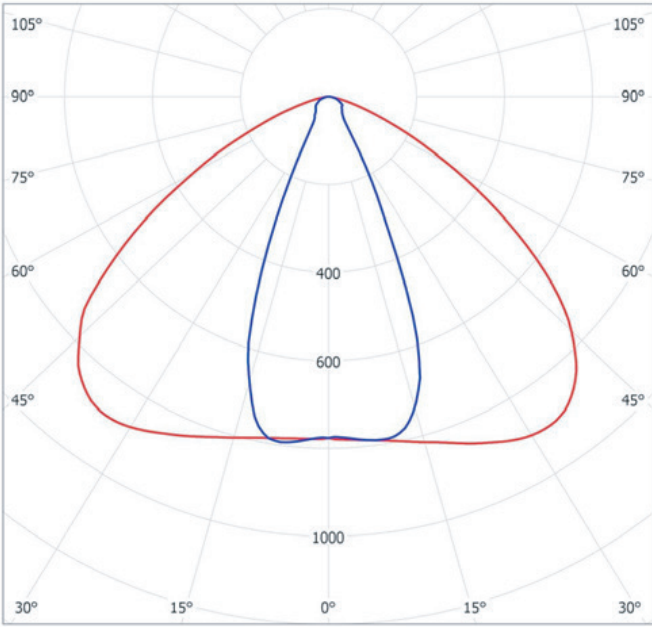
POWER CONSUMPTION		LED DRIVER TYPE		COLOR TEMPERATURE		BEAM ANGLE		COLOR RENDERING INDEX	
Code	Description	Code	Description	Code	Description	Code	Description	Code	Description
110W	110W @ L: 603 mm	SW	ON/OFF Switch	27	2700K	S	Asymmetric Optical Type :30° x 110°	70	>70
150W	150W @ L: 603 mm	AN	1 -10V Dimming	30	3000K	M	Asymmetric Optical Type :40° x 110°	80	>80
200W	200W @ L: 745 mm	DA	DALI Dimming	40	4000K				
		DMX	DMX Dimming	50	5000K				
		RDM	RDM Dinming	65	6500K				
		ZI	ZIGBEE Wireless Control						

BEAM ANGLE

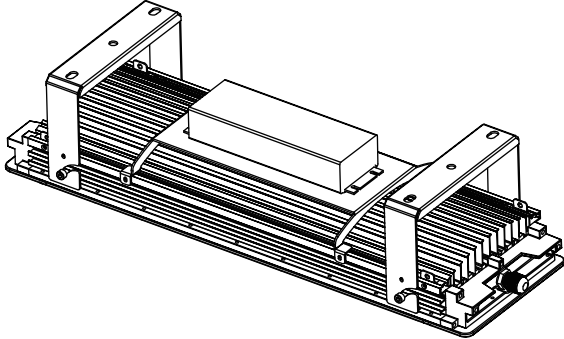
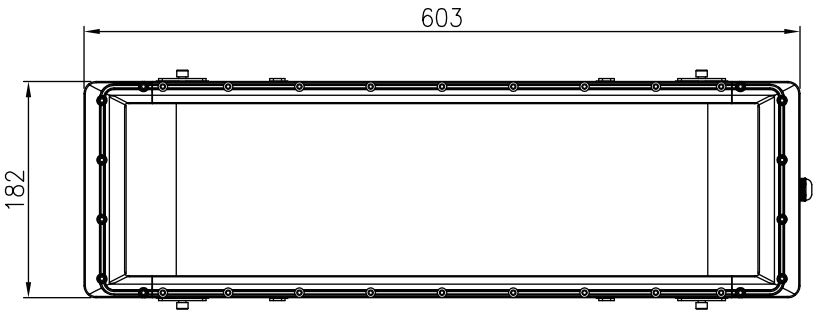
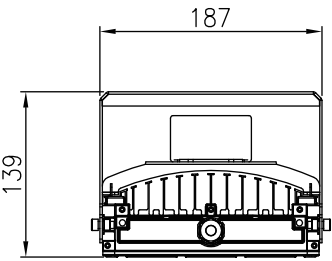
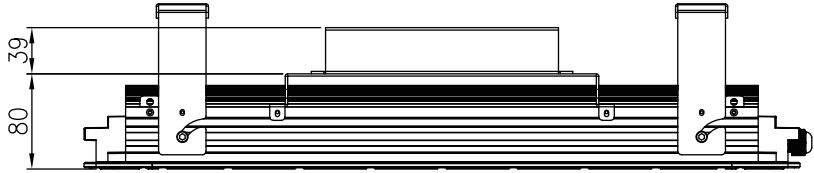
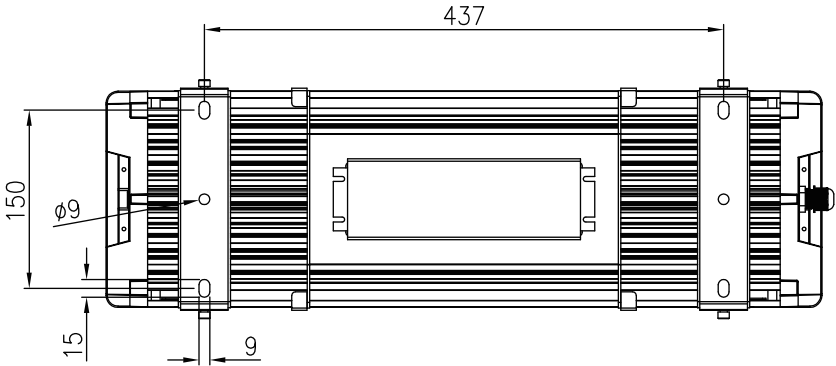
Asymmetric Optical Type :30°x 110°



Asymmetric Optical Type :40° x 110°



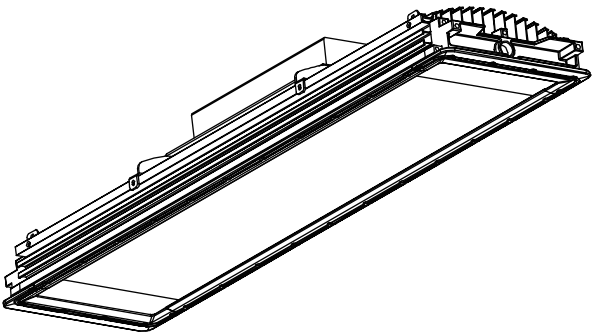
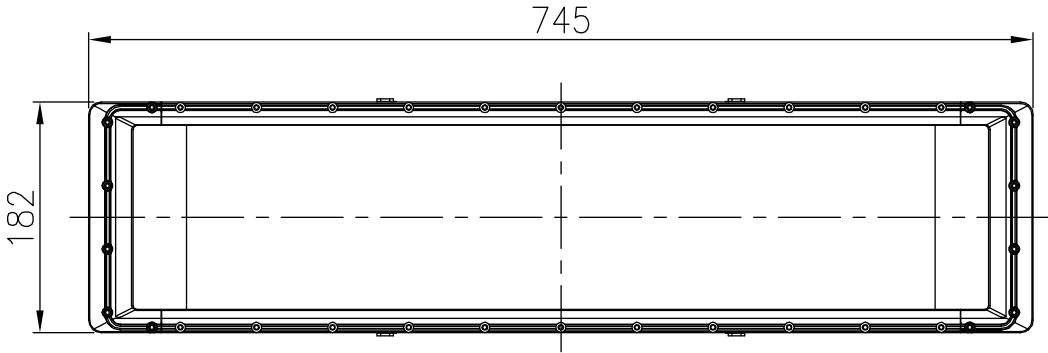
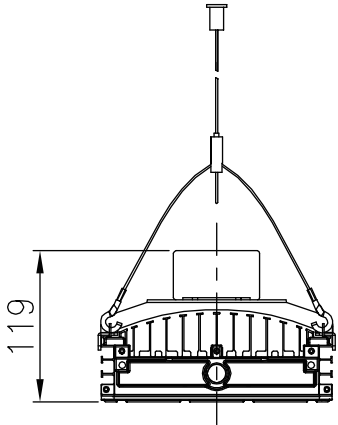
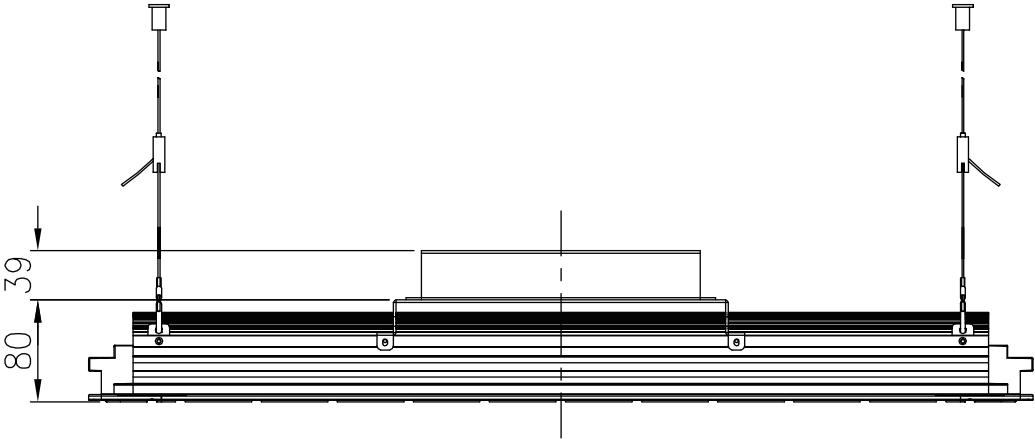
Technical Drawing



110W&150W

Unit: mm

Technical Drawing



200W

Unit: mm