

## WALENA


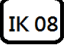




D200mm 100W Max IP66



### LED OUTDOOR WALL LIGHT

- Housing: Extrusion aluminium housing with corrosion -resistance powder coating and die-cast aluminium cover.
- Anti-glare and high purity anodized aluminum reflector to distribute comfortable light
- Tempered and safe glass and Screw-Less installation
- Ingress Protection: IP66 and Mech impact protection: IK08
- LED module: high-power CREE LEDs Array, CRI>80 or >95, LM-80 performance approval >50,000 hours.
- Integrated-Type ELV , 0-10V, DALI, DMX and RDM LED constant current control gear

## Technical Data

Luminaire Type-安裝方式-Tipo de luminaria	Wall Mounted Type-壁掛式燈具-Tipo montado en la pared
Dimension-尺寸-Dimensión	<ul style="list-style-type: none"> <li>• DIA: 200 x H: 200 mm x W:70mm with Mounting Bracket</li> <li>• DIA: 200 x H: 300 mm x W:70mm with Mounting Bracket</li> <li>• DIA: 200 x H: 400 mm x W:70mm with Mounting Bracket</li> <li>• DIA: 200 x H: 600 mm x W:70mm with Mounting Bracket</li> </ul>
Input Voltage-輸入電壓-Voltaje de entrada	AC100-240V 50/60HZ
Power Consumption Max-燈具功率 Consumo de energía Max	<ul style="list-style-type: none"> <li>• 1 x 20 W for Down Light or Up Light</li> <li>• 1 x 25 W for Down Light or Up Light</li> <li>• 1 x 30 W for Down Light or Up Light</li> <li>• 1 x 60 W for Down Light or Up Light</li> <li>• 2 x 20 W for Down Light and Up Light</li> <li>• 2 x 25 W for Down Light and Up Light</li> <li>• 2 x 30 W for Down Light and Up Light</li> <li>• 2 x 50 W for Down Light and Up Light</li> </ul>
LED Driver Type LED驅動款式 Tipo de controlador LED	<p>Integrated-type LED Driver--Refer to LED driver specification 請參閱LED驅動器規格 Consulte la especificación de controlador de LED</p> <ol style="list-style-type: none"> <li>1. ON/OFF Switch AC100-240V 50/60HZ</li> <li>2. ELV Dimming Driver (5-100%) AC 100-120V 50/60Hz or AC 200-240V 50/60HZ</li> <li>3. 0-10V Dimming Driver AC100-240V 50/60HZ</li> <li>4. Dali Dimming Driver AC100-240V 50/60HZ</li> <li>5. DMX Driver AC100-240V 50/60HZ</li> <li>6. RDM Driver AC100-240V 50/60HZ</li> <li>7. Remote Emergency Backup &gt;2 hours or &gt;3 hours &lt; 12 charger hours應急電池/Copia de seguridad de emergencia</li> </ol>
LED Driver Features驅動特性 Funciones del controlador de LED	<p>POWER FACTOR : PF&gt;0.90 @ Full Load TOTAL HARMONIC DISTORTION: THD&lt; 20%</p>
Control Protocol-控制協議 Protocolo de Control	0-10V / Dali / DMX 512 / RDM / ZIGBEE Wireless Control
Beam Angle光東角 ángulo de haz	• 24° 36° 60°
Light Source Brand-光源品牌-Fuente de luz de marca	CREE - ( Photobiological safety-IEC 62471 'Risk Group 1' (low risk) )
Photobiological safety-IEC 62471 / of Luminaire 光生物安全檢驗(IEC/EN 62471) 結果: Seguridad fotobiológica-IEC 62471	<p>Risk Group 1 (RG1) 1 類危險 (低危) Grupo de riesgo 1</p>
"Lumen Maintenance LM-80 Reported by TM-21"	L70(10k) > 63,500 hrs
LED Life-LED壽命-La vida del LED	>60,000 hours
Color Temperature -色溫 Temperatura del color	2700K / 3000K / 4000K / 5000K / 6500K
Color Rendering Index-顯色指數 Índice de reproducción cromática	<ul style="list-style-type: none"> <li>• &gt; 80</li> <li>• &gt; 90</li> </ul>
MacAdam Ellipses Binning 麥克亞當橢圓分級 Mac Adam binning elipse	<p>Standard Deviation Colour Matching &lt; 3 SDCM 標準偏差配色&lt; 3 SDCM Coincidencia de color estándar Desviación &lt; 3 SDCM</p>
Luminaire Efficacy 燈具效率 La eficacia de la luminaria	<ul style="list-style-type: none"> <li>• 90 Lm/w(2700K), 90 Lm/w(3000K), 95 Lm/w(4000K),</li> <li>• 100 Lm/w(5000K), 100 Lm/w(6500K),</li> </ul>
LED Source Luminous EfficacyLED光源光效 Fuente luminosa LED Eficacia	<ul style="list-style-type: none"> <li>• 90 Lm/w(2700K), 90 Lm/w(3000K), 95 Lm/w(4000K),</li> <li>• 100 Lm/w(5000K), 100 Lm/w(6500K),</li> </ul>
Housing materials-外殼材料 Materiales de la carcasa	<p>Die-cast aluminum and tempered glass 壓鑄鋁和鋼化玻璃 Fundición de aluminio y vidrio templado</p>
Housing Color 外殼顏色 color de la carcasa	<p>UV resistant Powder Coating :Matte Black RAL 9005 / Matte White RAL 9003 / Matte GrayRAL 9006 抗紫外線粉末塗料：啞光黑色燈身 RAL 9005 / 啞光白色燈身 RAL9003 / 啞光灰色燈身 RAL 9006 Resistente a los rayos UV Recubrimiento en Polvo: Matte Black RAL 9005 / Matte Blanco RAL 9003 / Gris Mate RAL 9006</p>
Operating Temperature Range / 工作溫度範圍 Rango de temperatura de funcionamiento	-30 °C / +50 °C
Operating Humidity -工作濕度 Humedad de funcionamiento	0~90%, non-condensing-不結霜 sin condensación
Ingress Protection-防護等級 Protección de ingreso	IP66 - (IEC 60529)
Mech impact protection 機械衝擊保護 Protección contra impactos mecánicos	K08
Comply Testing Standard 符合測試標準 Cumplir el estándar de prueba	<p>LED Luminaries: EN 60598-1;EN 60598-2-1; IEC TR62778 IEC62471 ; IEC 62031; RoHS LED Driver: IEC/EN 61347-1; IEC/EN 61347-2-13; IEC/EN 62384; IEC/EN 61000-3-2; IEC/EN 61000-3-3;IEC/EN61574;EN 55015</p>
Certification-認證-Certificación	     

Project	Fixture#	Date
		Firm



## Ordering Information

Choose the option that suits your need and write its corresponding code on the appropriate line to form the product code.

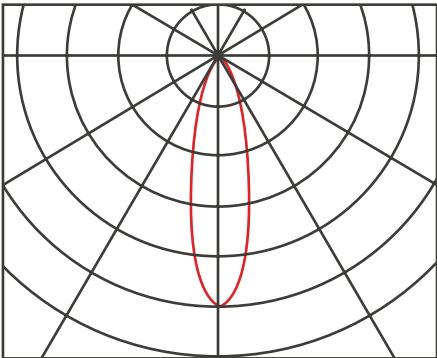
Example product code: [WALENA-20W](#)

WALENA - - \_\_\_\_\_  
Power Consumption

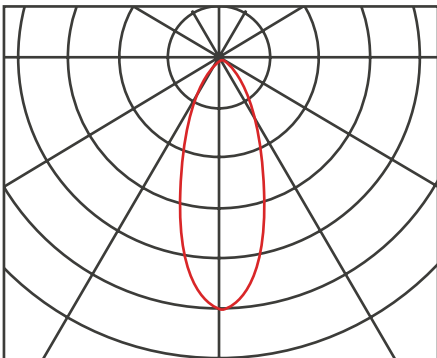
Power Consumption	
Code	Description
<a href="#">20W</a>	1x20W @H200 @H300 @H400 @H600mm for Down Light or Up Light
<a href="#">25W</a>	1x25W @H200 @ H300 @H 400 @ H600mm for Down Light or Up Light
<a href="#">30W</a>	1x30W @H200 @H300 @H400 @600mm for Down Light or Up Light
<a href="#">60W</a>	1x60W @H200 @H300 @H400 @ H600mm for Down Light or Up Light
<a href="#">40W</a>	2x20W @H200 @H300 @H400 @H600mm for Down Light and Up Light
<a href="#">50W</a>	2x25W @H200 @H300 @H400 @H600mm for Down Light and Up Light
<a href="#">60W</a>	2x30W @H200 @H300 @H400 @H600mm for Down Light and Up Light
<a href="#">100W</a>	2x50W @H200 @H300 @H400 @H600mm for Down Light and Up Light

BEAM ANGLE

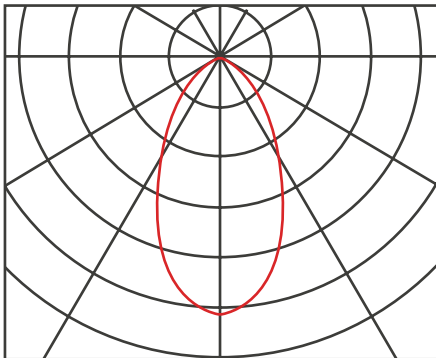
24°



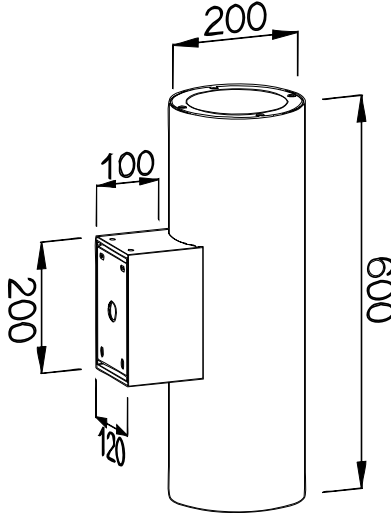
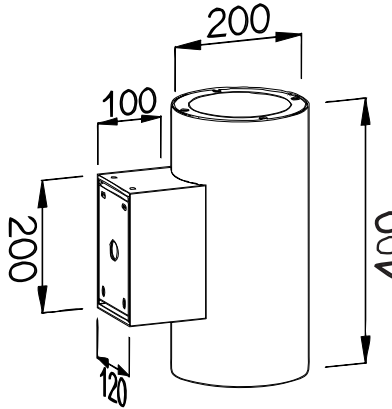
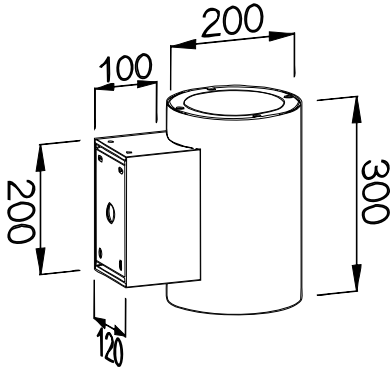
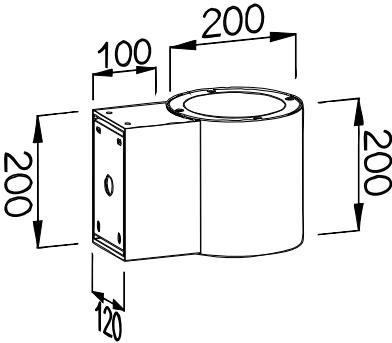
36°



60°



# Technical Drawing



Unit: mm