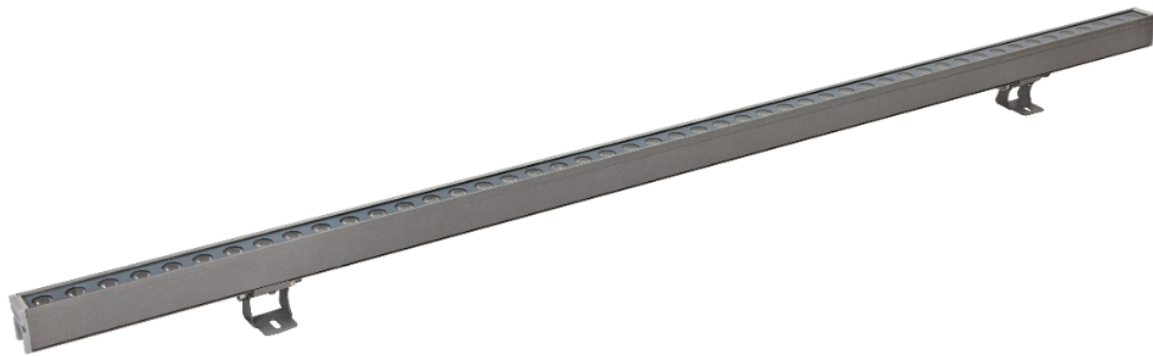


WARAL




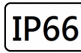





W25mm 15W Max IP66



- LED Linear Wallwasher light is a outdoor fixture with Mono Color , Tunable White and RGBW color for media façade application.
- Control by DMX with built-in 16-bit PWM embedded LED IC, featuring 16-bit gray scale control, supports up to 65,536 gray scales for color depths.
- House finished with Anti UV and corrosion -resistance- Anodised Aluminium and Tempered Glass.
- High-level mechanical impact protection IK08 and IP66 Ingress Protection.

Technical Data

| | |
|--|--|
| Luminaire Type/ 安裝方式 Tipo de luminaria | Surface Mount Fixed or Adjustable Type-Adjustment Options ±90 tilt 固定明裝 或 ±90度可調安裝腳 Opciones de ajuste de tipo fijo o ajustable de montaje en superficie ± 90 de inclinación |
| Color 顏色-Color | <ul style="list-style-type: none"> • RGBO (Orange White: 2700K) RGBW (Warm White: 3000K) RGBN (Nature White: 4000K) • RGBD (Day White: 5000K) RGBC (Cool White: 6500K) • MONO:2700K / 3000K / 4000K / 5000K / 6500K • Tunable White (2700K to 6500K) |
| Power Consumption Max 燈具最大功率 Consumo de energía Max | <ul style="list-style-type: none"> • 3W @ L: 250mm @ 12PCS LEDS 4W @ L: 250mm @ 12PCS LEDS • 6W @ L: 500mm @ 24PCS LEDS 8W @ L: 500mm @ 24PCS LEDS • 12W @ L: 1000mm @ 48PCS LEDS 15W @ L: 1000mm @ 48PCS LEDS |
| Input Voltage / 輸入電壓 Voltaje de entrada | <ul style="list-style-type: none"> • DC24V • DC48V |
| Control Protocol-控制協議 Protocolo de Control (Optional) | <ul style="list-style-type: none"> • Integrated Decoder : DMX512 + DC24V • Integrated Decoder : DMX512 + DC48V • Remote LED Driver for 1-10V or Dali or Zigbee Wireless |
| Pixels & DMX Channels 像素和DMX 通道 Píxeles y canales DMX | <ul style="list-style-type: none"> • RGBW: 2 PXL =8 DMX Channels @ 250mm 4 PXL =16 DMX Channels @ 500mm 8 PXL= 32 DMX Channels @ 1000mm • RGBW: 1 PXL =4 DMX Channels @ 250mm 500mm 1000mm • Mono White : 1 PXL= 1 DMX Channels @ 250mm 500mm 1000mm • Tunable White : 1 PXL =2 DMX Channels @ 250mm 500mm 1000mm • Tailor-made - 客制生產-Hecho a medida |
| Color Range RGBW顏色範圍 Gama de colores | <p>16.7 Million additive RGB colors and White LED 1670萬RGB顏色配合白光LED 16.7 Millones de colores aditivos RGB; LED blanco</p> |
| RGBW or Mono White Color Resolution with Gamma correction RGBW或具有伽馬校正的單色白顏色分辨率 RGBW o resolución de color blanco mono con corrección gamma | <p>16-bit gray scale control and Gamma correction, supports up to 65,536 gray scales for color depths 16位灰度控制, 支持高達65, 536個灰度級的顏色深度 control de escala de grises de 16 bits, soporta hasta 65.536 escalas de gris para profundidades de color</p> |
| Beam Angle/光東角 ángulo de haz | 10° / 15° / 30° / 45° / 60° / 10°x 50° / 20°x 60° |
| Light Source Brand/光源品牌 Fuente de luz de marca | CREE LED |
| LED Life/LED壽命 La vida del LED | >60,000 hours |
| MacAdam Ellipses Binning 麥克亞當橢圓分級 Mac Adam binning elipse | Standard Deviation Colour Matching < 3 SDCM 標準偏差配色 < 3 SDCM Coincidencia de color estándar Desviación < 3 SDCM |
| Luminaire Efficacy-燈具效率 La eficacia de la luminaria Full Loading | <ul style="list-style-type: none"> • 60 Lm/w @ RGBO 60 Lm/w @ RGBW 70 Lm/w @ RGBN • 80 Lm/w @ RGBD 80 Lm/w @ RGBC • 90 Lm/w(2700K) 90 Lm/w(3000K) 95 Lm/w(4000K) • 100 Lm/w(5000K) 100 Lm/w(6500K) 95 Lm/w Tunable White (2700-6500K) |
| LED Source Luminous Efficacy-LED光源光效 Fuente luminosa LED Eficacia | <ul style="list-style-type: none"> • 90 Lm/w @ RGBO 90 Lm/w @ RGBW 100 Lm/w @ RGBN • 110 Lm/w @ RGBD 110 Lm/w @ RGBC • 120 Lm/w(2700K) 120 Lm/w(3000K) 125 Lm/w(4000K) • 130 Lm/w(5000K) 130 Lm/w(6500K) 125Lm/w Tunable White (2700-6500K) |
| Color Rendering Index-顯色指數 Índice de reproducción cromática | > 85 @ MONO White |
| Housing materials/外殼材料 Materiales de la carcasa | Aluminium Alloy and Tempered Glass -鋁合金和鋼化玻璃 Aleación de aluminio y vidrio templado |
| Trim Housing Color/ 邊框殼顏色 | Anodised Aluminium Titanium and Tempered Glass /陽極氧化鋁鈦和鋼化玻璃 Aluminio anodizado titanio y vidrio templado Anodised Aluminium Black and Tempered Glass /陽極氧化鋁黑和鋼化玻璃 Aluminio anodizado Negro y vidrio templado Tailor-made/客制生產-Hecho a medida |
| Operating Temperature Range / 工作溫度範圍 Rango de temperatura de funcionamiento | -20 °C / +60 °C |
| Operating Humidity -工作濕度 Humedad de funcionamiento | 0~90%, non-condensing-不結霜 sin condensación |
| Ingress Protection/ 防護等級 Protección de ingreso | IP66 |
| Mech impact protection 機械衝擊保護 Protección contra impactos mecánicos | K08 |
| Dimension/尺寸 / Dimensión | • Refer to Technical Drawing 請參閱技術圖紙 Consulte el dibujo técnico |
| Comply Testing Standard 符合測試標準 Cumplir el estándar de prueba | LED Luminaires: IEC 60598-1 / IEC 60598-2-1 / IEC 62471 / IEC TR62778 / IEC 62031 / EN 55015 / IEC 61547 |
| Certification-認證-Certificación |        |

| | | |
|---------|----------|------|
| Project | Fixture# | Date |
| | | Firm |

Ordering Information

Choose the option that suits your need and write its corresponding code on the appropriate line to form the product code.

Example product code: [WARAL-15W-27](#)

WARAL - - _____ - _____
Power Consumption
Color Tempreture

| Power Consumption | | Color Tempreture | |
|-------------------|---------------|------------------|----------------------------|
| Code | Description | Code | Description |
| 3W | 3W @ L: 250mm | RGBO | RGBO(2700K) |
| 4W | 4W@ L: 250mm | RGBW | RGBW(3000K) |
| 6W | 6W@L:500mm | RGBN | RGBN(4000K) |
| 8W | 8W@L:500mm | RGBD | RGBD(5000K) |
| 12W | 12W@L:1000mm | RGBC | RGBC(6500K) |
| 15W | 15W@L:1000mm | 27 | 2700K@MONO |
| | | 30 | 3000K@MONO |
| | | 40 | 4000K@MONO |
| | | 50 | 5000K@MONO |
| | | 65 | 6500K@MONO |
| | | TW | Tunable White (2700-6500K) |

Accessories



MANYA



SLADE



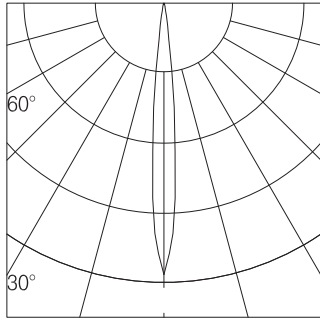
CORE-DMX SPLITTER



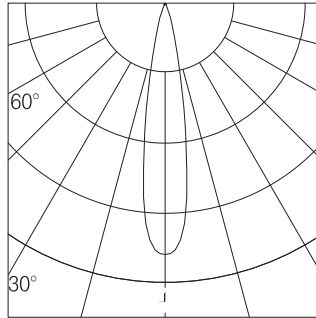
HLG-320H

BEAM ANGLE

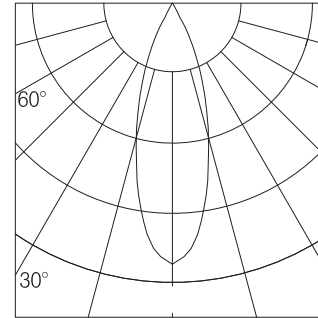
10°



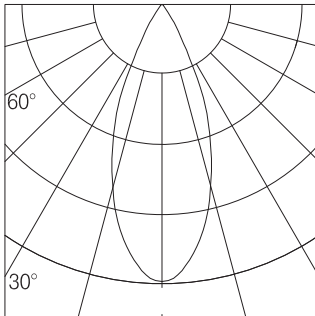
15°



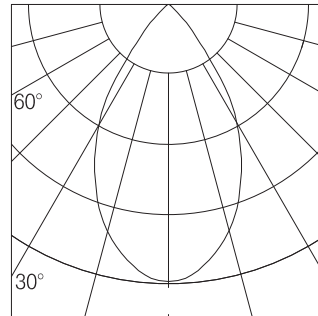
30°



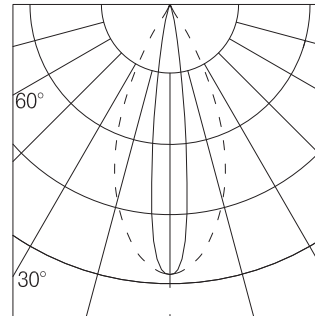
45°



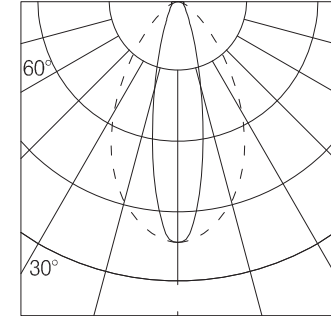
60°



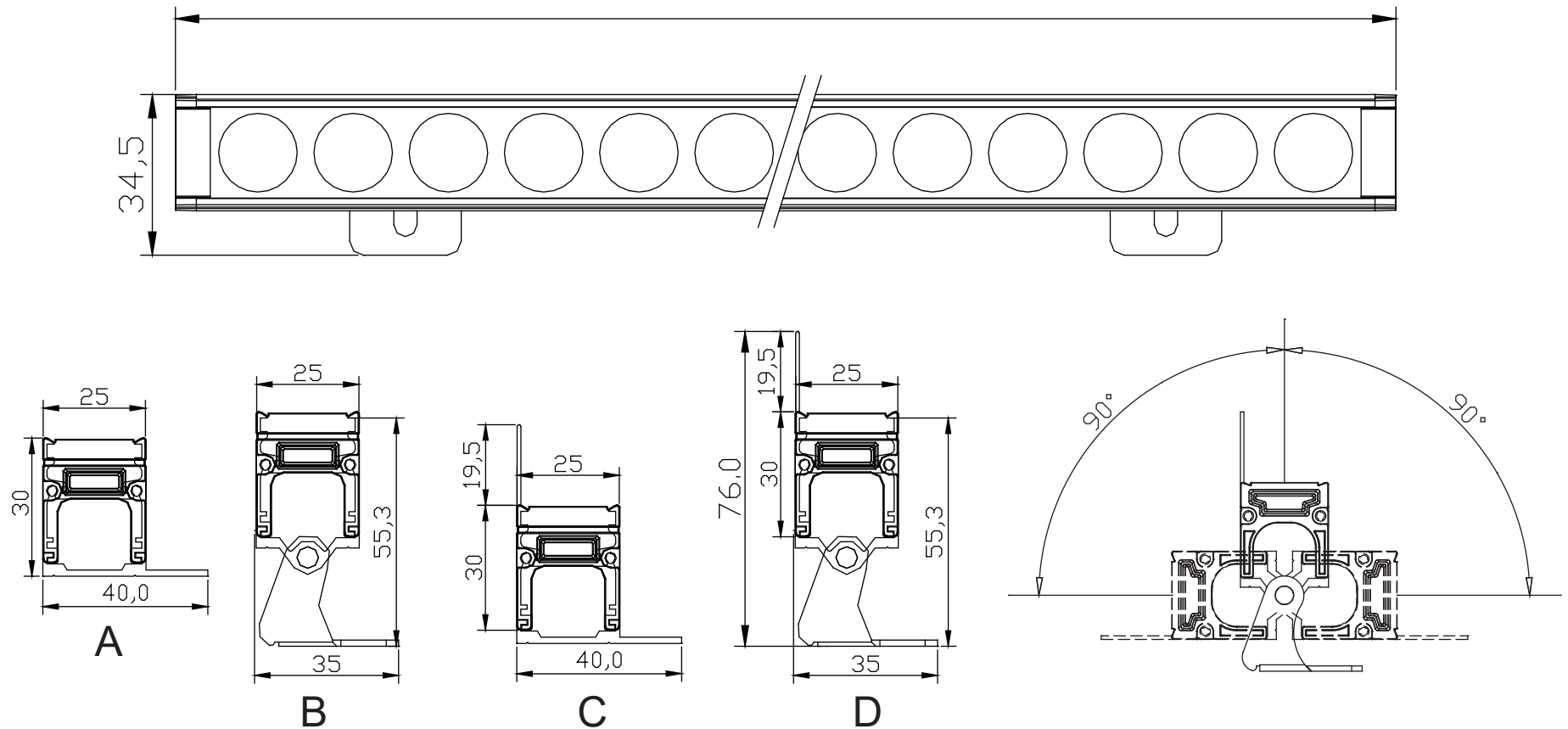
10°x 50°



20°x 60°



250 & 500 & 1000 mm



Louver Version

Unit: mm