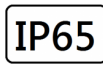


WED

D150xH60mm 8W



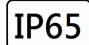






ZigBee®



HOUSING: Cast aluminum, Stainless steel screws, Silicon seal gaskets, and White crystal glass diffuser
FINISH: Texture dark gray and silver powder coating finish
LED module: SMD LEDs CRI>80 LM-80 performance approval >50,000 hours.
Super performance in light distribution and optimum lighting quality.
Applications:schools,public buildings ,etc.

Technical Data

Luminaire Type- 安裝方式 Tipo de luminaria	Surface Mounted Type 明裝式燈具 Superficie Tipo Montado
Dimension-尺寸-Dimensión	Dia 150 x H:60mm
Power Consumption Max-燈具功率 Consumo de energía Max	8W
Input Voltage-輸入電壓-Voltaje de entrada	AC100-240V 50/60HZ
LED Driver Type LED驅動款式 Tipo de controlador LED	Integrated-type LED Driver--Refer to LED driver specification 請參閱LED驅動器規格 Consulte la especificación de controlador de LED 1. ON/OFF Switch AC100-240V 50/60HZ 2. ELV Dimming Driver (5-100%) AC 100-120V 50/60Hz or AC 200-240V 50/60HZ 3. 0-10V Dimming Driver AC100-240V 50/60HZ 4. Dali Dimming Driver AC100-240V 50/60HZ 5. DMX Driver AC100-240V 50/60HZ 6. RDM Driver AC100-240V 50/60HZ 7. Emergency Backup >2 hours or >3 hours @ < 24 charger hours應急電池/Copia de seguridad de emergencia
LED Driver Features 驅動特性 Funciones del controlador de LED	POWER FACTOR : PF0.90 @ Full Load TOTAL HARMONIC DISTORTION: THD< 20% EFFICIENCY (Typ.): >85% MAX. No. of PSUs on 16A CIRCUIT BREAKER: 25 units (circuit breaker of type B) / 40 units (circuit breaker of type C at 230VAC)
Control Protocol-控制協議 Protocolo de Control	0-10V / Dali/ DMX 512 / RDM
Beam Angle 光束角 ángulo de haz	180°
Light Source Brand-光源品牌-Fuente de luz de marca	SMD LED- (Photobiological safety-IEC 62471 'Risk Group 1' (low risk))
"Lumen Maintenance LM-80 Reported by TM-21"	1. L90(10k) = 50,700 hrs 2. L80(10k) > 63,500 hrs 3. L70(10k) > 63,500 hrs
LED Life-LED壽命-La vida del LED	>60,000 hours
Color Temperature -色溫 Temperatura del color	3000K / 4000K / 5700K
Color Rendering Index-顯色指數 Índice de reproducción cromática	> 80
MacAdam Ellipses Binning 麥克亞當橢圓分級 Mac Adam binning ellipse	Standard Deviation Colour Matching < 3 SCDM 標準偏差配色< 3 SCDM Coincidencia de color estándar Desviación
Luminaire Efficacy 燈具效率 La eficacia de la luminaria	• 50 Lm/w(3000K), • 60 Lm/w(4000K), • 70 Lm/w(5700K),
LED Source Luminous Efficacy LED光源光效 Fuente luminosa LED Eficacia	• 100 Lm/w(3000K), • 105 Lm/w(4000K), • 120 Lm/w(5700K),
Housing materials-外殼材料 Materiales de la carcasa	• Cast aluminum , White crystal glass diffuser Stainless steel screws, Silicon seal gaskets • 壓鑄鋁, 白色水晶玻璃擴散器, 不銹鋼螺釘, 硅膠密封墊圈 • Aluminio fundido, difusor de cristal blanco, tornillos de acero inoxidable, juntas de silicona
Housing Color 外殼顏色 color de la carcasa	Powder Coating : • Texture dark gray and silver • 砂深灰色和砂銀色 • Textura gris oscuro y plata
Ingress Protection-防護等級 Protección de ingreso	IP65 - (IEC 60529)
Environment-使用環境-medio ambiente	Outdoor
Net Weight /Gross Weight 淨重/毛重 pPeso Neto / Peso bruto	1.1KG
Comply Testing Standard 符合測試標準 Cumplir el estándar de prueba	LED Luminaires: IEC 60598-1 / IEC 60598-2-1/ Photometric data-IES format LED Driver: EN 55015 / IEC 61000-3-2 / IEC 61347-1 / IEC 61347-2-13 / IEC 61547
Certification-認證-Certificación	      

Project	Fixture#	Date
		Firm



Ordering Information

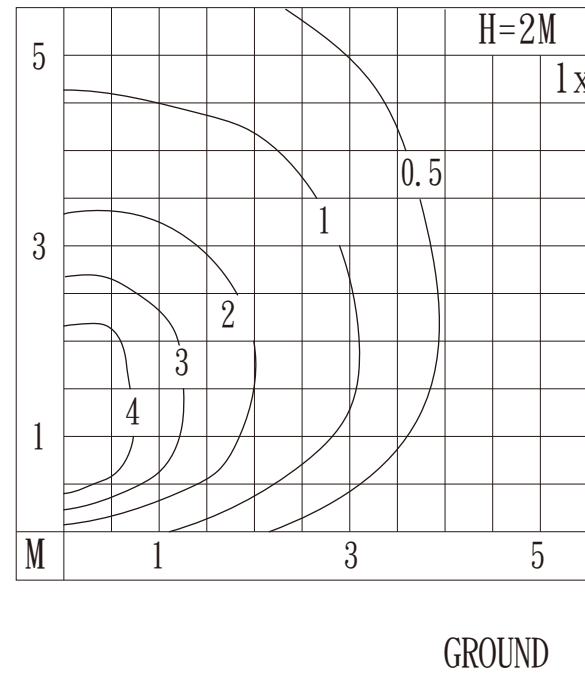
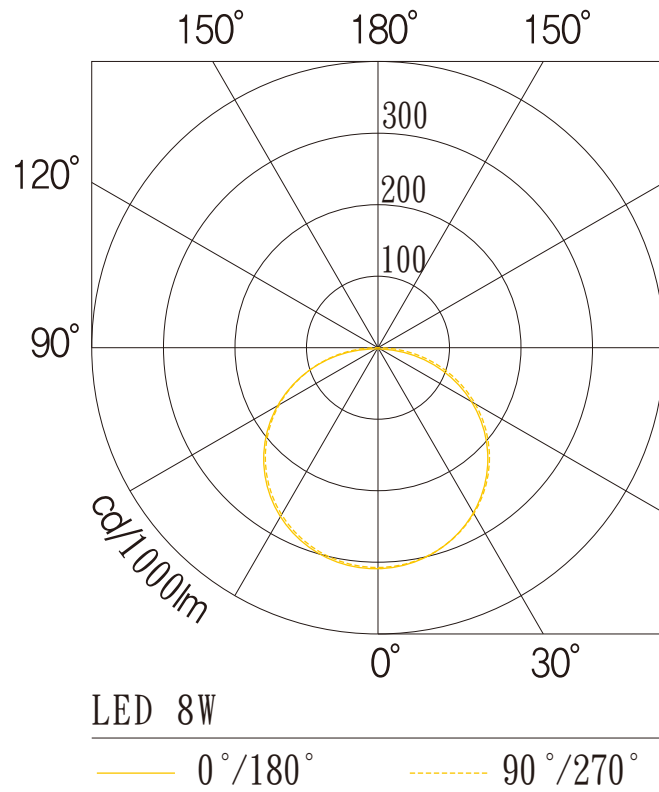
Choose the option that suits your need and write its corresponding code on the appropriate line to form the product code.

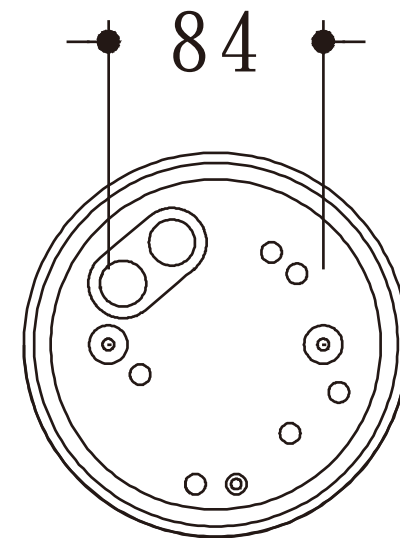
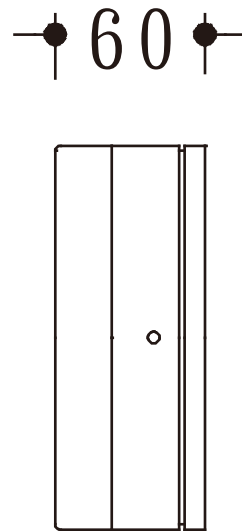
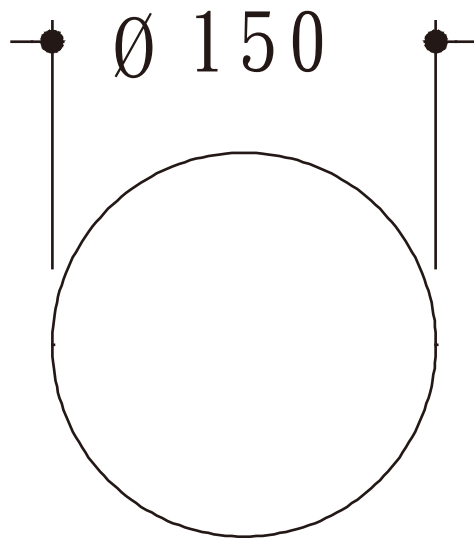
Example product code: [WED-8W-SW-30-DG](#)

WED - 8W - SW - 30 - DG
 Power Consumption LED Driver Type Color Temperature HOUSING COLOR

Power Consumption		LED Driver Type		Color Temperature		HOUSING COLOR	
Code	Description	Code	Description	Code	Description	Code	Description
8W	8W	SW	ON/OFF Switch	40	4000K	DG	Texture dark gray
		ELV	ELV Leading Edge Control	30	3000K	S	Texture Silver
		AN	Analog 0-10V Dimming	57	5700K	W	Texture White
		DA	DALI Dimming				
		DMX	DMX Dimming				
		RDM	RDM Dimming				
		EM	Emergency Battery				
		ZI	ZIGBEE Wireless Control				

BEAM ANGLE





Unit: mm