

WENCE

D160XH120mm Max8W

MADE IN
KOREA



CE

IP65

0-10V

ZigBee®

DALI

DALI2



HOUSING: Cast aluminum, Stainless steel screws, Silicon seal gaskets, and White crystal glass diffuser with pattern





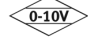



FINISH: Texture dark gray, and silver powder coating finish

LED MODULE: SMD LED CRI>80 LM-80 performance approval >50,000 hours

Super performance in light distribution and optimum lighting quality

APPLICATIONS: schools, public buildings etc.

Technical Data

Luminaire Type-安裝方式Tipo de luminaria	Surface Mounted Type明裝式燈具Superficie Tipo Montado
Dimension-尺寸-Dimensión	D160XH120 mm
Power Consumption Max-燈具功率 Consumo de energía Max	<ul style="list-style-type: none"> • 4W • 8W
Input Voltage-輸入電壓-Voltaje de entrada	AC100-240V 50/60HZ
LED Driver Type LED驅動款式 Tipo de controlador LED	Integrated-type LED Driver--Refer to LED driver specification 請參閱LED驅動器規格 Consulte la especificación de controlador de LED 1. ON/OFF Switch AC100-240V 50/60HZ 2. ELV Dimming Driver (5-100%) AC 100-120V 50/60Hz or AC 200-240V 50/60HZ 3. 0-10V Dimming Driver AC100-240V 50/60HZ 4. Dali Dimming Driver AC100-240V 50/60HZ 5. DMX Driver AC100-240V 50/60HZ 6. RDM Driver AC100-240V 50/60HZ 7. Remoted Emergency Backup >2 hours or >3 hours @ < 12 charger hours應急電池/Copia de seguridad de emergencia
LED Driver Features驅動特性 Funciones del controlador de LED	<ul style="list-style-type: none"> • POWER FACTOR : PF0.90 @ Full Load • TOTAL HARMONIC DISTORTION: THD< 20%
Control Protocol-控制協議 Protocolo de Control	0-10V / Dali / DMX 512 / RDM / ZIGBEE Wireless Control
Beam Angle 光束角 ángulo de haz	180°
Light Source Brand-光源品牌-Fuente de luz de marca	SMD LED- (Photobiological safety-IEC 62471 'Risk Group 1' (low risk))
"Lumen Maintenance LM-80 Reported by TM-21"	1. L90(10k) = 50,700 hrs 2. L80(10k) > 63,500 hrs 3. L70(10k) > 63,500 hrs
LED Life-LED壽命-La vida del LED	>60,000 hours
Color Temperature -色溫 Temperatura del color	3000K / 4000K / 5700K
Color Rendering Index-顯色指數 Índice de reproducción cromática	> 80
MacAdam Ellipses Binning 麥克亞當橢圓分級 Mac Adam binning ellipse	Standard Deviation Colour Matching < 3 SCDM 標準偏差配色< 3 SCDM Coincidencia de color estándar Desviación
Luminaire Efficacy 燈具效率 La eficacia de la luminaria	50 Lm/w(3000K), 60 Lm/w(4000K), 70 Lm/w(5700K),
LED Source Luminous Efficacy LED光源光效 Fuente luminosa LED Eficacia	100 Lm/w(3000K), 105 Lm/w(4000K), 120 Lm/w(5700K),
Housing materials-外殼材料 Materiales de la carcasa	Cast aluminum , White crystal glass diffuser with pattern Stainless steel screws, Silicon seal gaskets 壓鑄鋁, 白色水晶玻璃帶圖案擴散器, 不銹鋼螺釘, 硅膠密封墊圈 Aluminio fundido, difusor de cristal blanco con patrón Tornillos de acero inoxidable, juntas de silicona
Housing Color外殼顏色color de la carcasa	Powder Coating :Texture dark gray and silver 砂深灰色和砂銀色Textura gris oscuro y plata
Ingress Protection-防護等級 Protección de ingreso	IP65
Environment-使用環境-medio ambiente	Outdoor
Net Weight /Gross Weight淨重/毛重Peso Neto / Peso bruto	1.5 KG
Comply Testing Standard 符合測試標準 Cumplir el estándar de prueba	LED Luminaires: IEC 60598-1 / IEC 60598-2-1/ Photometric data-IES format LED Driver: EN 55015 / IEC 61000-3-2 / IEC 61347-1 / IEC 61347-2-13 / IEC 61547
Certification-認證-Certificación	       

Project	Fixture#	Date
		Firm

Ordering Information

Choose the option that suits your need and write its corresponding code on the appropriate line to form the product code.

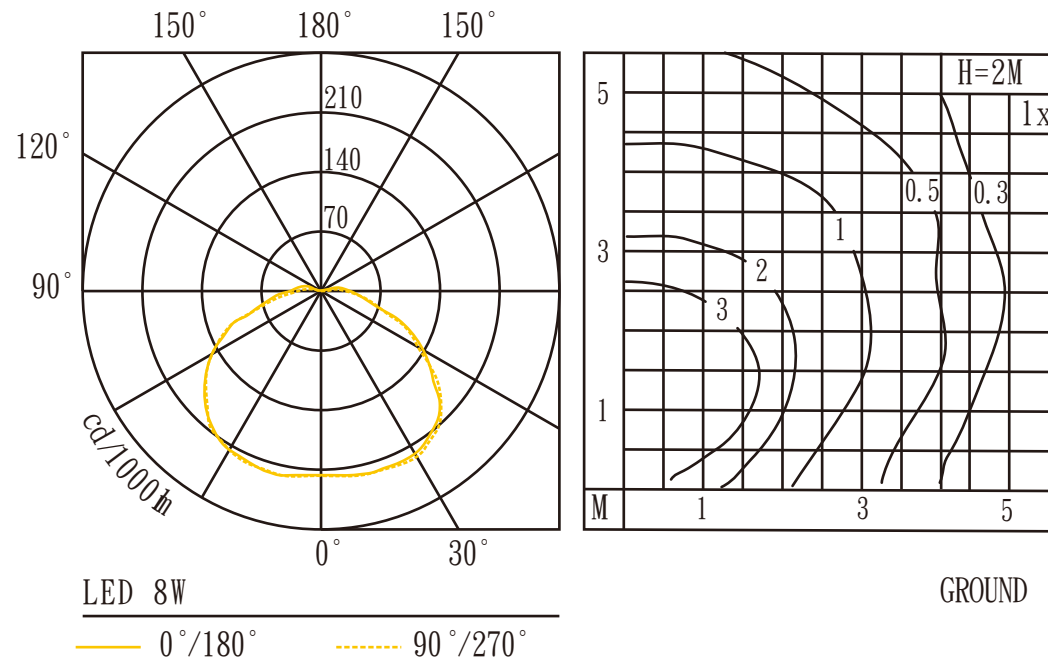
Example product code: [WENCE-8W](#)

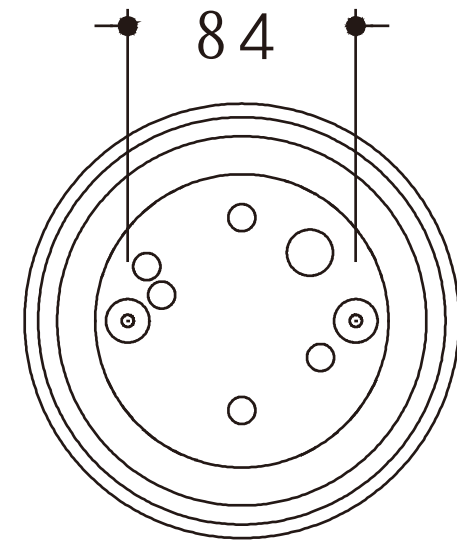
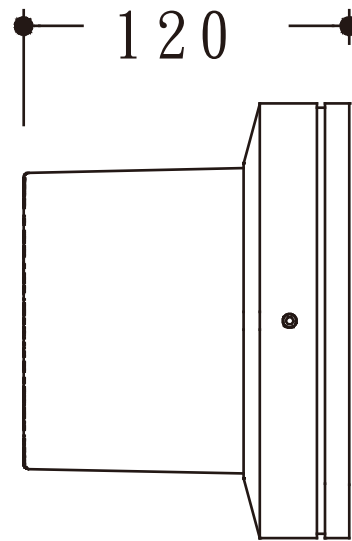
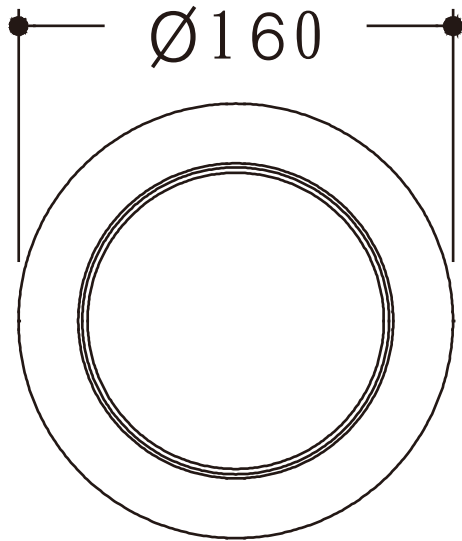
WENCE - - _____
Power Consumption

Power Consumption	
Code	Description
4W	4W
8W	8W



BEAM ANGLE





Unit: mm