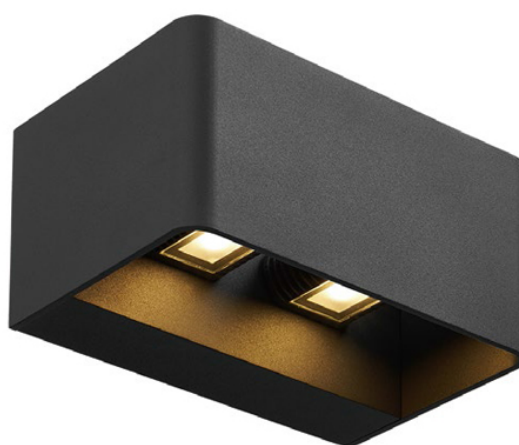
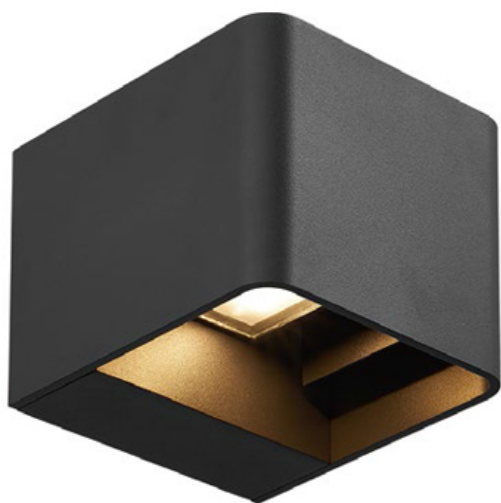
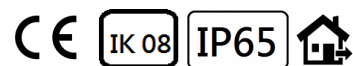


WETRY


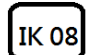
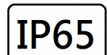

16W Max IP65



LED OUTDOOR WALL MOUNTED UP AND DOWN LIGHT.

- The lighting body made by die-casting aluminium, extruded aluminium cover.
- LED module is used inside, and the light angle can adjustable.
- Ingress protection: IP65. IK08

Technical Data

Installation method / 安裝方式 / Metodo de instalacion	Wall Mounted Type - 壁掛式燈具 - Tipo montado en la pared
Dimension-尺寸-Dimensión	<ul style="list-style-type: none"> • L:125 x W:110 x H: 90 mm • L:126 x W:188 x H: 90 mm
Input Voltage-輸入電壓-Voltaje de entrada	AC 220-240V 50/60HZ
Power Consumption Max-燈具功率 Consumo de energía Max	<ul style="list-style-type: none"> • 1x8W @L:125 x W:110 x H: 90 mm • 2X8W @L:126 x W:188 x H: 90 mm
LED Driver Type LED驅動款式 Tipo de controlador LED	Integrated-type LED Driver--Refer to LED driver specification 請參閱LED驅動器規格 Consulte la especificación de controlador de LED 1. ON/OFF Switch AC220-240V 50/60HZ 2. 0/1 -10V Dimming Driver AC220-240V 50/60HZ 3. DALI Dimming Driver AC220-240V 50/60HZ
LED Driver Features驅動特性 Funciones del controlador de LED	POWER FACTOR : PF>0.90 TOTAL HARMONIC DISTORTION: THD< 20%
Control Protocol-控制協議 Protocolo de Control	0/1-10V / DALI
Beam Angle光束角ángulo de haz	<ul style="list-style-type: none"> • Up or Down Light : 1 x 100° • Up and Down Light: 2 x 100°
Light Source Brand-光源品牌-Fuente de luz de marca	CREE
"Lumen Maintenance LM-80 Reported by TM-21"	L70 > 65,000 hrs
LED Life-LED壽命-La vida del LED	>100,000 hours
Color Temperature -色溫 Temperatura del color	2700K / 3000K / 4000K / 6500K
Color Rendering Index-顯色指數 Índice de reproducción cromática	>80
MacAdam Ellipses Binning 麥克亞當橢圓分級 Mac Adam binning elipse	Standard Deviation Colour Matching < 3 SDCM 標準偏差配色 < 3 SDCM Coincidencia de color estándar Desviación < 3 SDCM
Luminaire Efficacy燈具效率 La eficacia de la luminaria	80 Lm/w(2700K) 80Lm/w(3000K) 100Lm/w(4000K) 110Lm/w(6500K)
LED Source Luminous Efficacy LED光源光效 Fuente luminosa LED Eficacia	130 Lm/w(2700K), 140 Lm/w(3000K), 150 Lm/w(4000K), 150 Lm/w(6500K),
Housing materials-外殼材料 Materiales de la carcasa	Die-cast aluminum 壓鑄鋁 Fundicion de aluminio
Housing Color外殼顏色 color de la carcasa	Powder Coating :Black RAL9005 粉末塗料: 黑色 RAL9005 Recubrimiento en Polvo: Negro
Operating Temperature Range / 工作溫度範圍 Rango de temperatura de funcionamiento	-20 °C / +50 °C
Operating Humidity -工作濕度 Humedad de funcionamiento	0~100%, non-condensing-不結霜 sin condensación
Ingress Protection-防護等級 Protección de ingreso	IP65
Mech impact protection 機械衝擊保護 Protección contra impactos mecánicos	IK08
Net Weight淨重Peso Neto	Up or Down Light : 1.0 KG Up and Down Light : 1.6 KG
Comply Testing Standard 符合測試標準 Cumplir el estándar de prueba	LED Luminaries: EN 60598-1;EN 60598-2-1; IEC TR62778 IEC62471 ; IEC 62031; RoHS LED Driver: IEC/EN 61347-1; IEC/EN 61347-2-13; IEC/EN 62384; IEC/EN 61000-3-2; IEC/EN 61000-3-3;IEC/EN61574;EN 55015
Certification-認證-Certificación	   

Project	Fixture#	Date
		Firm



Ordering Information

Choose the option that suits your need and write its corresponding code on the appropriate line to form the product code.

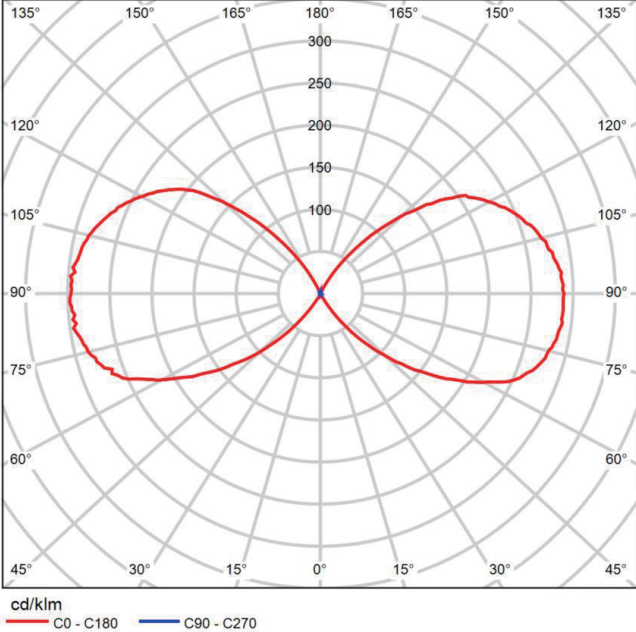
Example product code: [WETRY-8W](#)

WETRY - -

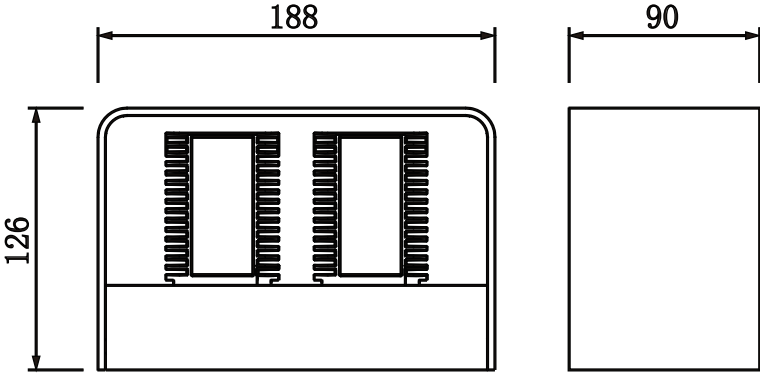
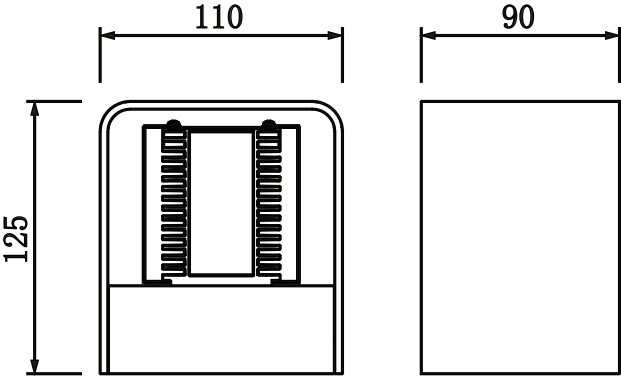
_____ [Power Consumption](#)

Power Consumption	
Code	Description
8W	8W @ Up or Down Light
16W	16W (2x8W) @ Up and Down Light

BEAM ANGLE



Technical Drawing



Unit: mm