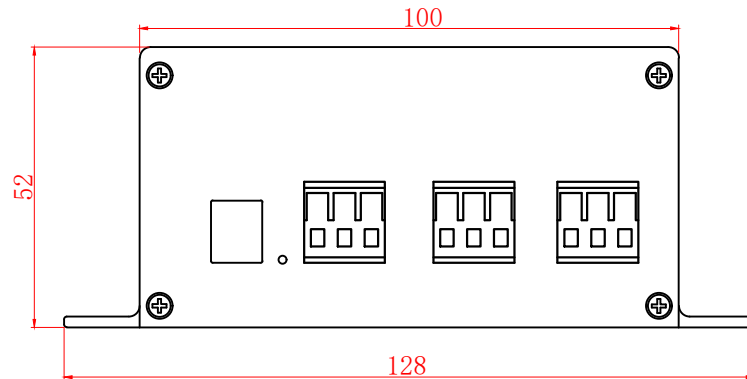
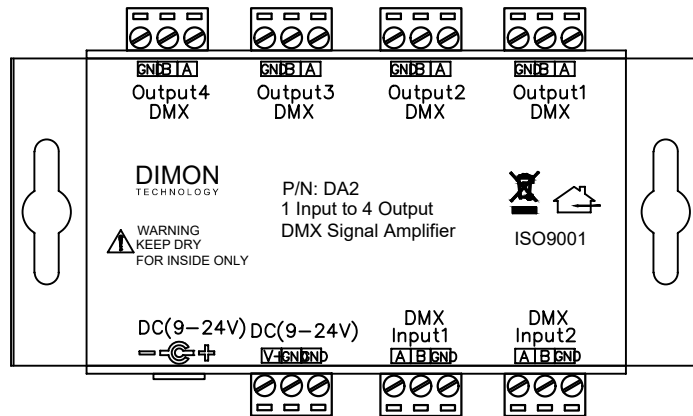
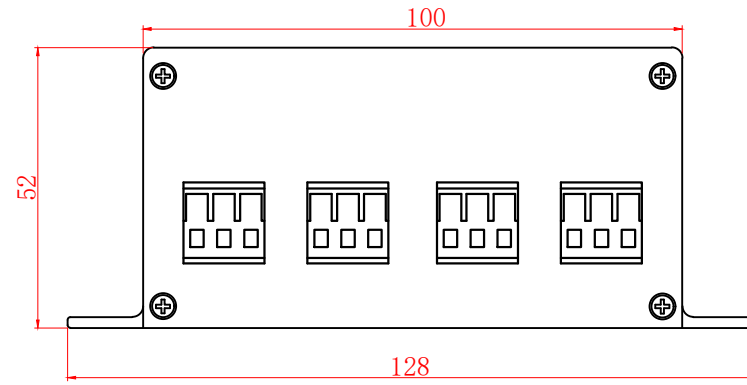
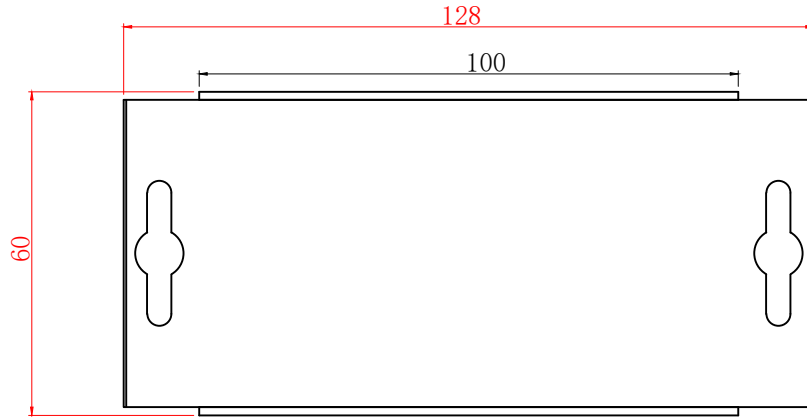


Technical Drawing



AUTODESK

AUTODESK

AUTODESK