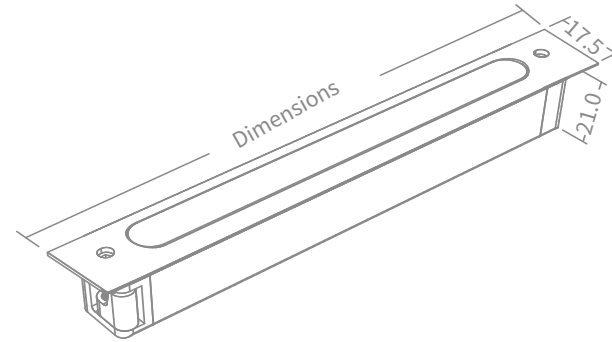
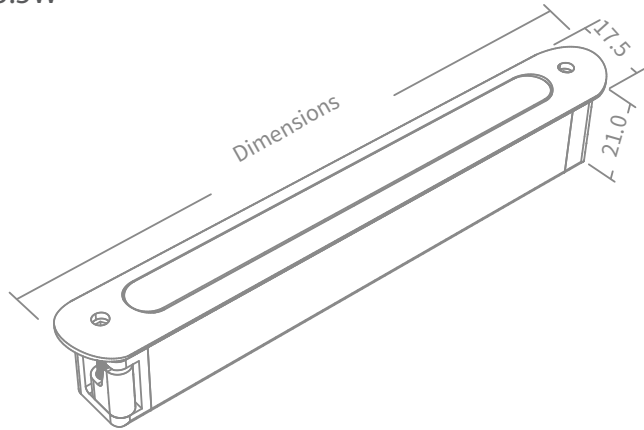
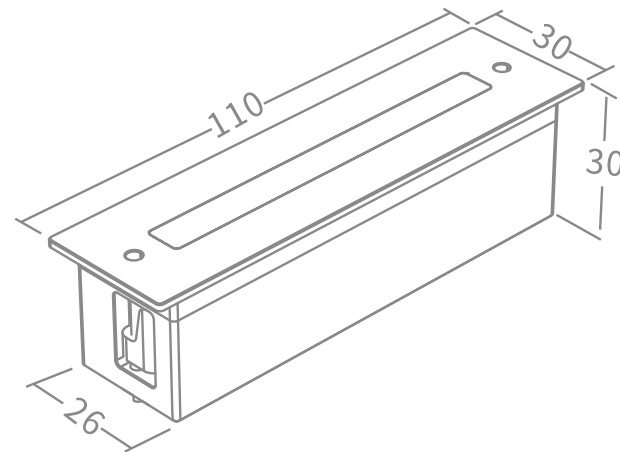
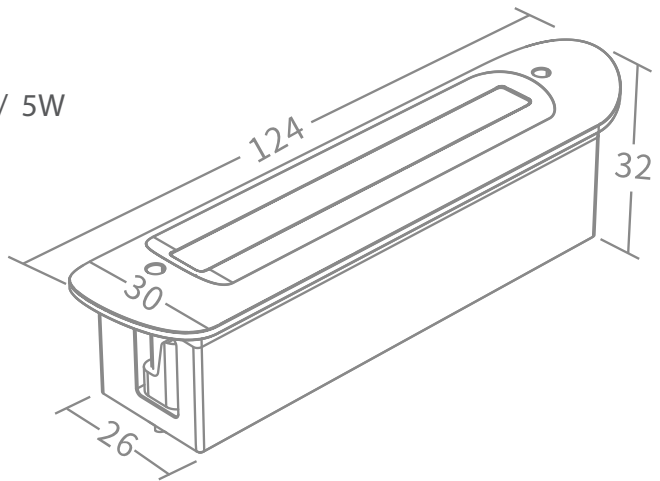


# Technical Drawing

0.5W-3.5W



3W / 5W



Unit: mm