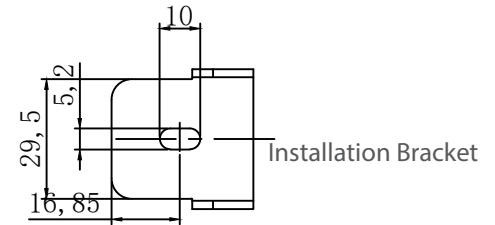
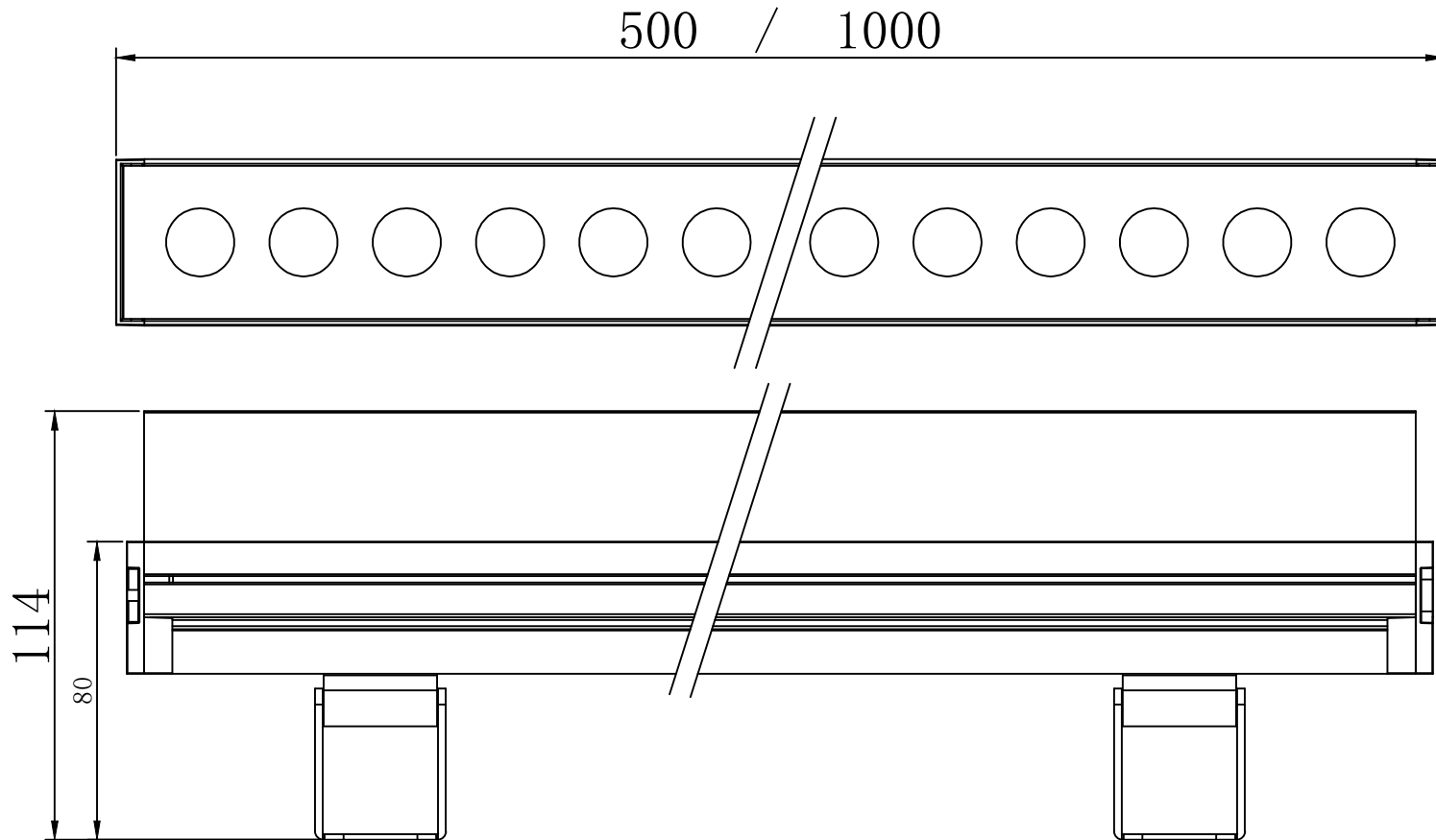
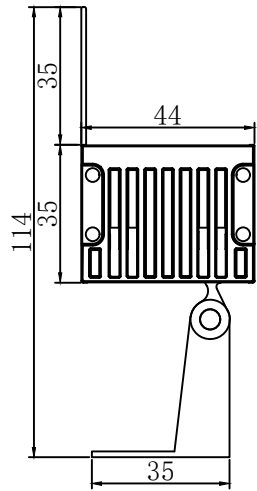


Unit :mm



Technical Drawing

Visor accessories



Unit :mm

