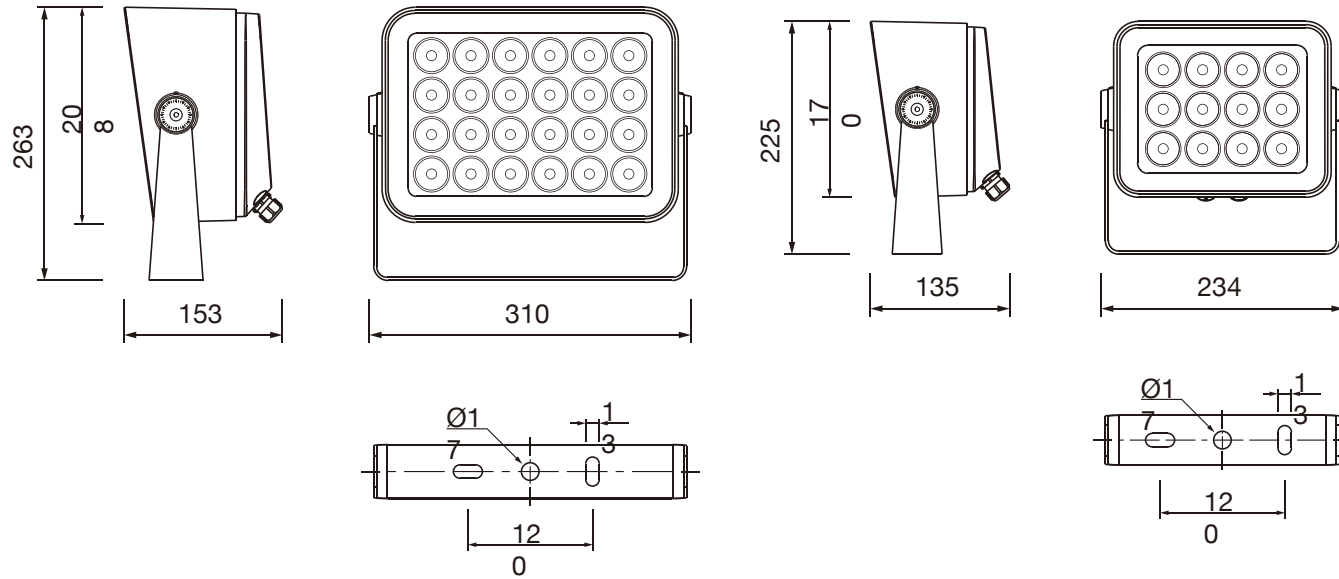


# Technical Drawing



Unit: mm

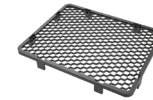


**Optical accessories :**  
for visual comfort, avoiding unnecessary glare and reducing light pollution.

## “A” Type Spill ring



## “B” Type Honeycomb louver



## Normally Type -Decorative plate

