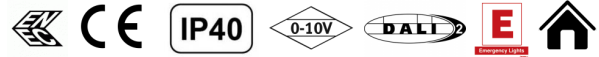









BOSCA

W175xH73mm Ma.90W IP40



- Cold rolled steel housing & Polycarbonate Cover
- Aluminum heat sink
- Replaceable LED strips
- Isolated LED driver
- Easy maintenance
- Microwave motion sensor
- Emergency battery back up
- Color:White,Silver,Black

Technical Data

Luminaire Type / 安裝方式 / Tipo de luminaria	Surface Mounted / 明裝式燈具 / Superficie Tipo Montado Suspended Mounted / 吊裝 / Suspendido montado
Input Voltage / 輸入電壓 / Voltaje de entrada	AC220-240V 50/60HZ
Power Consumption Max / 燈具功率 Consumo de energía Max	2 feet: 16W 20W 4 feet: 30W 36W 40W 45W 50W 60W 5 feet: 40W 45W 50W 60W 70W 80W 90W
LED Driver Type / LED驅動款式 Tipo de controlador LED	(Integrated-type LED Driver -Constant Current LED Driver: 內置LED驅動 / Controlador de LED de tipo integrado) 1. ON/OFF Switch AC100-240V 50/60HZ 2. 0/1 -10V Dimming Driver AC100-240V 50/60HZ 3. DALI Dimming Driver AC100-240V 50/60HZ 4. Microwave Sensor 5. Emergency Backup >2 hours or >3 hours @ < 12 charger hours 應急電池/Copia de seguridad de emergencia
LED Driver Features / 驅動特性 Funciones del controlador de LED	Power Factor: PF>0.95 Total Harmonic Distortion: THD<20%
Control Protocol / 控制協議 / Protocolo de Control	SW -ON/OFF / DALI Control / 0/1-10V Control / Microwave Sensor
Light Source Brand / 光源品牌 / Fuente de luz de marca	Everlight
Lumen Maintenance ISTM & TM-21	L70 > 54,000 hrs
LED Life / LED壽命 / La vida del LED	>100,000 hours
Color Temperature / 色溫 Temperatura del color	3000K / 4000K / 5000K / 6500K
Color Rendering Index / 顯色指數 Índice de reproducción cromática	> 80
Chromaticity Tolerance (initial Macadam) 色度容差 (初始Macadam) Tolerancia de cromaticidad (Macadam inicial)	Standard Deviation Colour Matching < 3 SDCM 標準偏差配色 < 3 SDCM Coincidencia de color estándar Desviación < 3 SDCM
Beam Angle / 光束角 / ángulo de haz	120°
Photobiological safety IEC 62471 光生物安全檢驗 ICE 62471 Seguridad fotobiológica-IEC 62471	Risk Group 1 / 風險類別1 Grupo de riesgo 1
Luminaire Efficacy / 燈具效率 La eficacia de la luminaria	120 Lm/w(3000K), 130 Lm/w(4000K), 130 Lm/w(5000K), 130 Lm/w(6500K),
LED Source Luminous Efficacy / LED光源光效 Fuente luminosa LED Eficacia	160 Lm/w(3000K), 170 Lm/w(4000K), 170 Lm/w(5000K), 170 Lm/w(6500K),
Housing materials / 外殼材料 Materiales de la carcasa	White Coated Formed Steel Body and OPAL Polycarbonate Diffuser 白色塗層成型鋼體和乳白PC擴散罩 Cuerpo de acero moldeado revestido de blanco y difusor de policarbonato OPAL
Ingress Protection	IP40
Dimension: L x W x H (mm)	L 610 x W 175 x H 73 mm @ 2 ft L 1220 x W 175 x H 73 mm @ 4 ft L 1505 x W 175 x H 73 mm @ 5 ft
Operating Temperature Range / 工作溫度範圍 Rango de temperatura de funcionamiento	-20 °C / +40 °C
Operating Humidity / 工作濕度 Humedad de funcionamiento	0~90%, non-condensing / 不結霜 sin condensación
Comply Testing Standard 符合測試標準 Cumplir el estándar de prueba	LED Luminaires: IEC / EN 60598-1 / EN 60598-2-1 / EN 62031 / EN 62493 / IEC/EN 62471 / IEC 60598-2-22 / IEC 62031 / EN 55015 / EN 61000-3-2 / EN 61000-3-3 / EN 61547 Luminaries Performance : IEC 62722-1 / IEC 62722-2-1 FSD regulation PPA 104A (4th Rev). RoHS LED Driver: EN 55015 / EN 61000-3-2 / EN 61347-1 / EN 61347-2-13 / EN 61547 / EN 62384
Certification	      

Project	Fixture#	Date
		Firm



Ordering Information

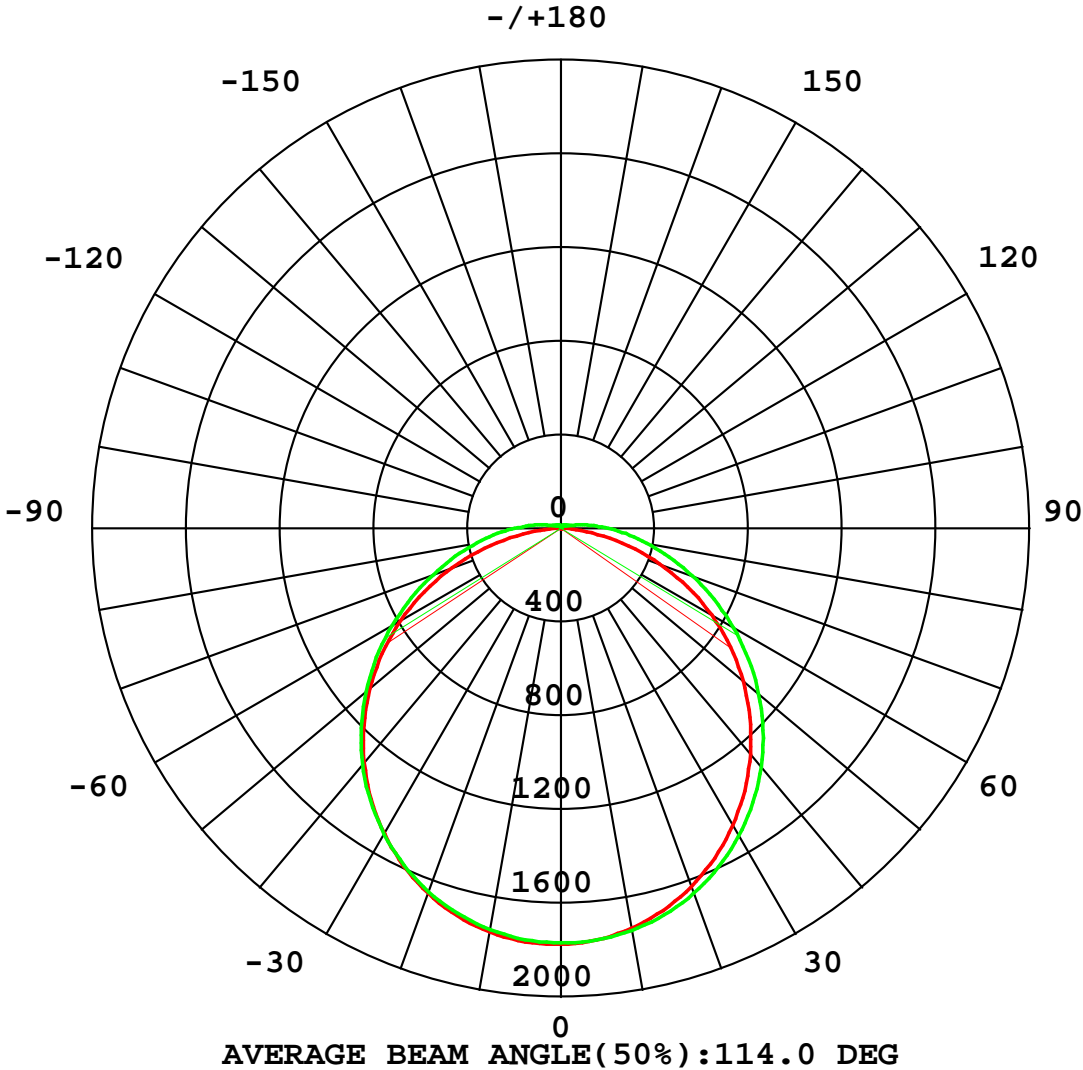
Choose the option that suits your need and write its corresponding code on the appropriate line to form the product code.

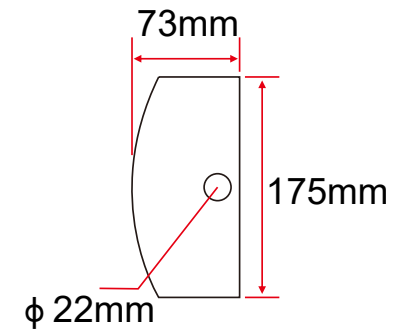
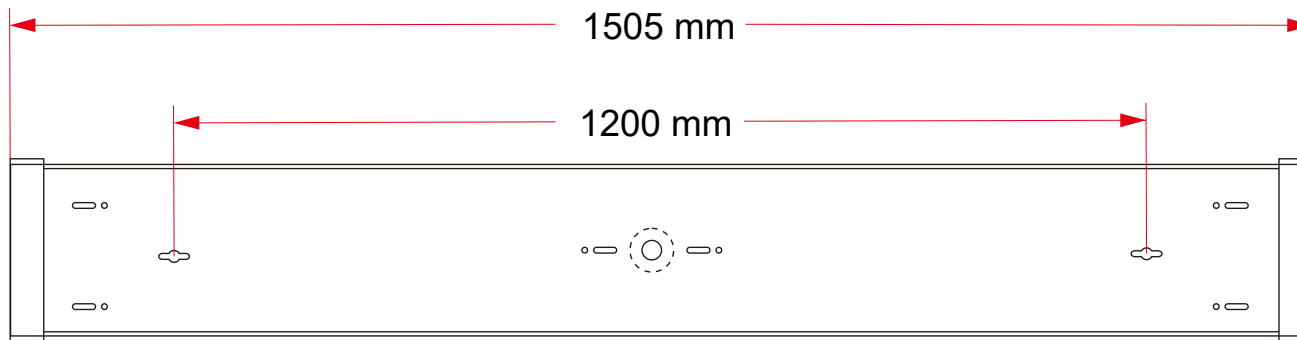
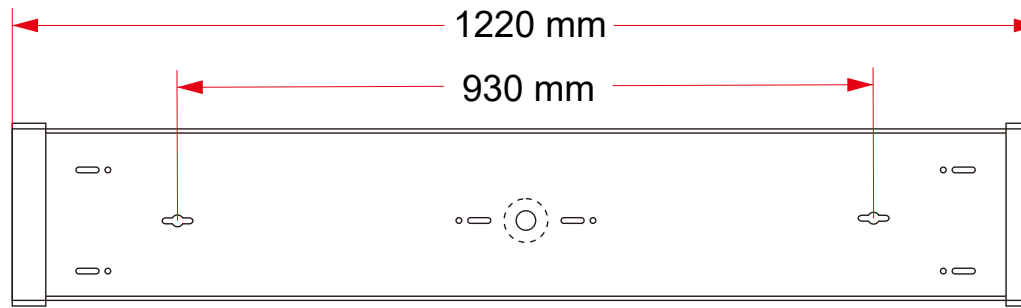
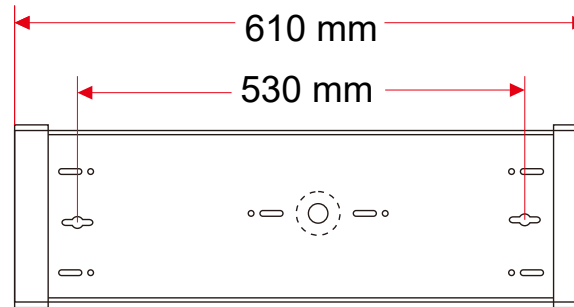
Example product code: [BOSCA-40W](#)

BOSCA - - _____
Power Consumption

Power Consumption	
Code	Description
16W	16W@ 610mm
20W	20W @ 610mm
30W	30W @ 1220mm
36W	36W @ 1220mm
40W	40W @ 1220mm or @ 1505mm
45W	45W @ 1220mm or @ 1505mm
50W	50W @ 1220mm or @ 1505mm
60W	60W @ 1220mm or @ 1505mm
70W	70W @ 1505mm
80W	80W @ 1505mm
90W	90W @ 1505mm

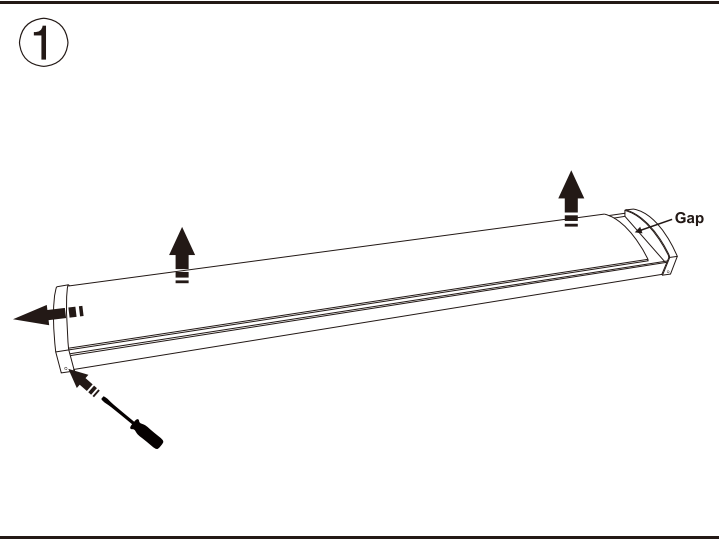
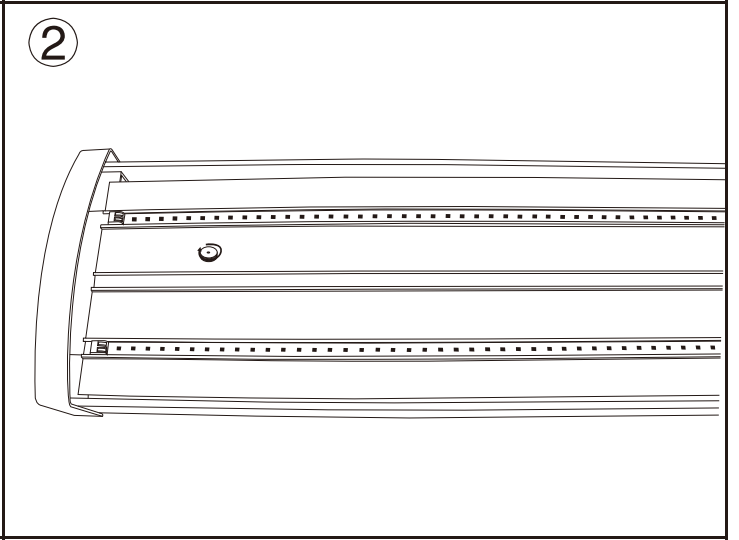
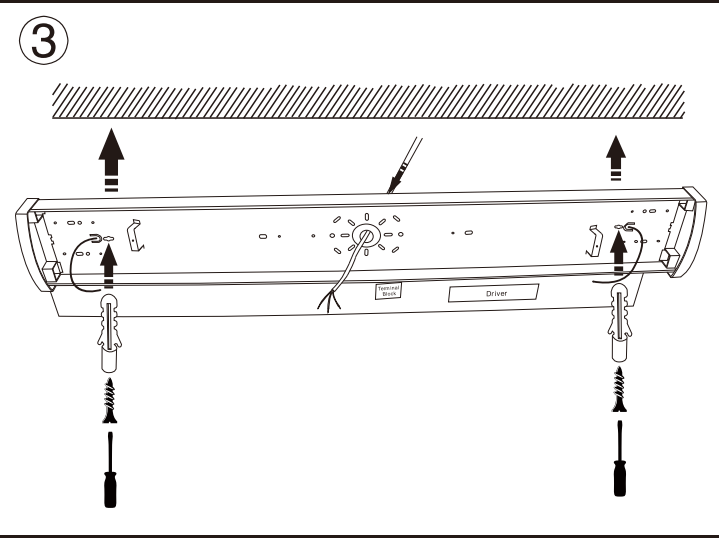
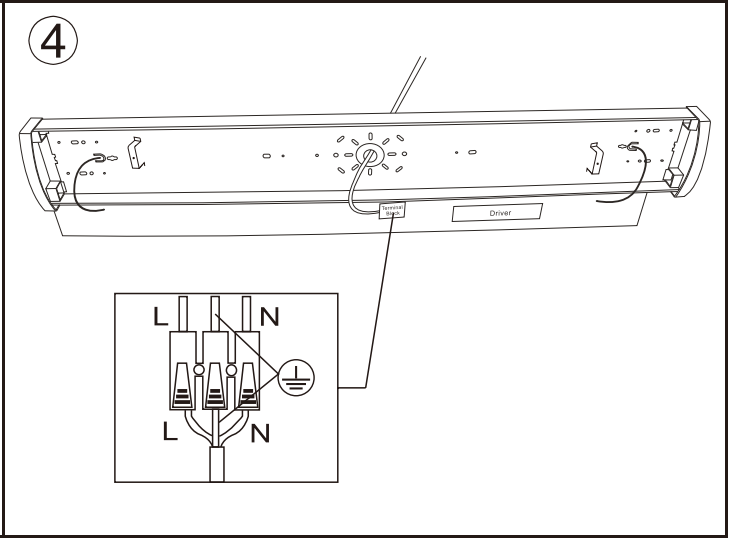
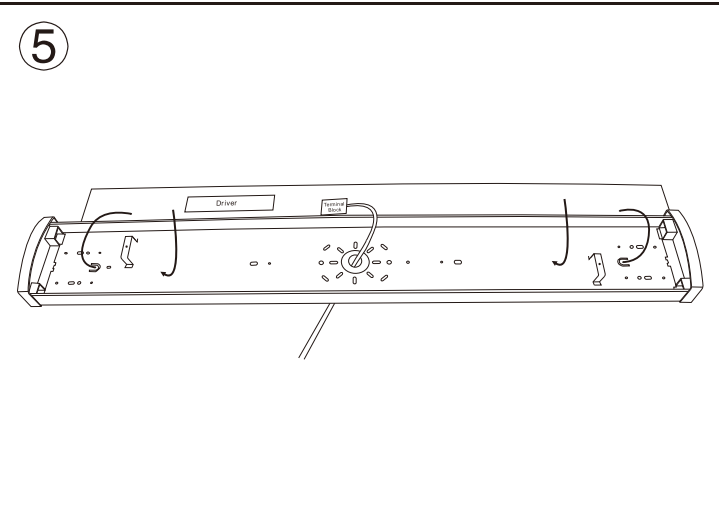
BEAM ANGLE





UUnit: mm

Ensure that power is turned off before installation.

<p>Unload the screw and pull out the plastic end cap, move out the PC cover</p>	<p>Take off the aluminum heatsink</p>
<p>①</p> 	<p>②</p> 
<p>Screw the housing to the ceiling</p>	<p>Connect the power supply to the terminal block</p>
<p>③</p> 	<p>④</p> 
<p>Re-install the aluminum heatsink to the housing</p>	<p>Re-install the PC cover and the plastic end cap, re-install the screw to fix</p>
<p>⑤</p> 	<p>⑥</p> 