

## DETON


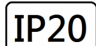



Dia100, Dia120 & Dia 150mm Max.28W



- The integrated design and high-cost performance.
- Finished color: Black / White.
- 100mm, 120mm & 150mm diameter for option.
- Internal flicker-free driver
- Application Areas: It is designed for general lighting applications in hotels, homes, offices, shops, etc. It is also widely used for public areas such as stairways, lobbies, reception, corridors, etc.

Honeycomb reduce luminosity by >30%

## Technical Data

Luminaire Type / 安裝方式 / Tipo de luminaria	Surface Mounted / 明裝式 / Superficie Tipo Montado
Dimension / 尺寸 / Dimensión	Dia 100 x H: 140mm Dia 120 x H: 150mm Dia 150 x H: 160mm
LED Type / LED種類 / Lámpara LED	COB
Power Consumption / 燈具功率 Consumo de energía	8W 10W 15W @ Dia100 x H:140mm 8W 15W 20W @ Dia120 x H:150mm 20W 25W 28W @ Dia150 x H:160mm
Input Voltage / 輸入電壓 / Voltaje de entrada	AC 220-240V 50/60HZ
LED Driver Type / LED驅動款式 Tipo de controlador LED	Integrated-type LED Driver-Refer to LED driver specification 請參閱LED驅動器規格 Consulte la especificación de controlador de LED 1. ON/OFF Switch AC220-240V 50/60HZ 2. 0-10V Dimmable Driver AC220-240V 50/60HZ 3. DALI Dimmable Driver AC220-240V 50/60HZ 4. Emergency Battery Backup >2 hours or >3 hours
LED Driver Features / 驅動特性 Funciones del controlador de LED	Power Factor > 0.9 Total Harmonic Distortion: <20%
Control Protocol / 控制協議 Protocolo de Control	0-10V / DALI / ZIGBEE Wireless
Beam Angle / 光束角 / ángulo de haz	15° 24° 36° 50°
Light Source Brand / 光源品牌 / Fuente de luz de marca	CREE / Osram / Bridgelux
Lumen Maintenance LM-80 Reported by TM-21	L70 > 54,000 hrs
LED Life / LED壽命 / La vida del LED	>100,000 hours
Color Temperature / 色溫 Temperatura del color	2700K / 3000K / 4000K / 5000K / 6500K
Color Rendering Index / 顯色指數 Índice de reproducción cromática	> 80
MacAdam Ellipses Binning 麥克亞當橢圓分級 Mac Adam binning elipse	Standard Deviation Colour Matching < 3 SDCM 標準偏差配色 < 3 SDCM Coincidencia de color estándar Desviación < 3 SDCM
Luminaire Efficacy / 燈具效率 La eficacia de la luminaria	90 LM/W (2700K), 90 LM/W (3000K), 100 LM/W (4000K), 100 LM/W (5000K), 100 LM/W (6500K) Remarks: Honeycomb louver will reduce luminosity by >30%
LED Source Luminous Efficacy / LED光源光效 Fuente luminosa LED Eficacia	130 LM/W (2700K), 140 LM/W (3000K), 150 LM/W (4000K), 150 LM/W (5000K), 150 LM/W (6500K)
Housing materials / 外殼材料 Materiales de la carcasa	Die-cast aluminum housing, PMMA Lens and Polycarbonate Reflector 壓鑄鋁外殼、PMMA 透鏡和聚碳酸酯反射器 Carcasa de aluminio fundido a presión, lente de PMMA y reflector de policarbonato.
Housing Color / 外殼顏色 color de la carcasa	Powder Coating :Matte white / Matte Black 粉末塗料: 啞光白色 / 啞光黑色 Recubrimiento en Polvo: Blanco mate / Negro mate
Accessories / 配件 / Accesorios	Honeycomb Louver / No
Reflector Color / 反光杯顏色 / Reflector color	Bright White / Bright Black / Matte White / Matte Black 亮白 / 亮黑 / 啞白 / 啞黑 Blanco brillante / Negro brillante / Blanco mate / Negro mate
Ingress Protection / 防護等級 Protección de ingreso	IP20
Operating Temperature Range / 工作溫度範圍 Rango de temperatura de funcionamiento	-20 °C / +40 °C
Operating Humidity / 工作濕度 Humedad de funcionamiento	0~90%, non-condensing-不結霜 sin condensación
Comply Testing Standard 符合測試標準 Cumplir el estándar de prueba	LED Luminaires: IEC/EN 60598-1 ; IEC/EN 60598-2-1 ; IEC/ EN62493 ; IEC/EN 62301 ; IEC TR 62778 & IEC 62471 (RG0) LED Driver: EN 55015 / IEC 61000-3-2 / IEC 61347-1 / IEC 61347-2-13 / IEC 61547
Certification / 認證 / Certificación	    

Project	Fixture#	Date
		Firm

## Ordering Information

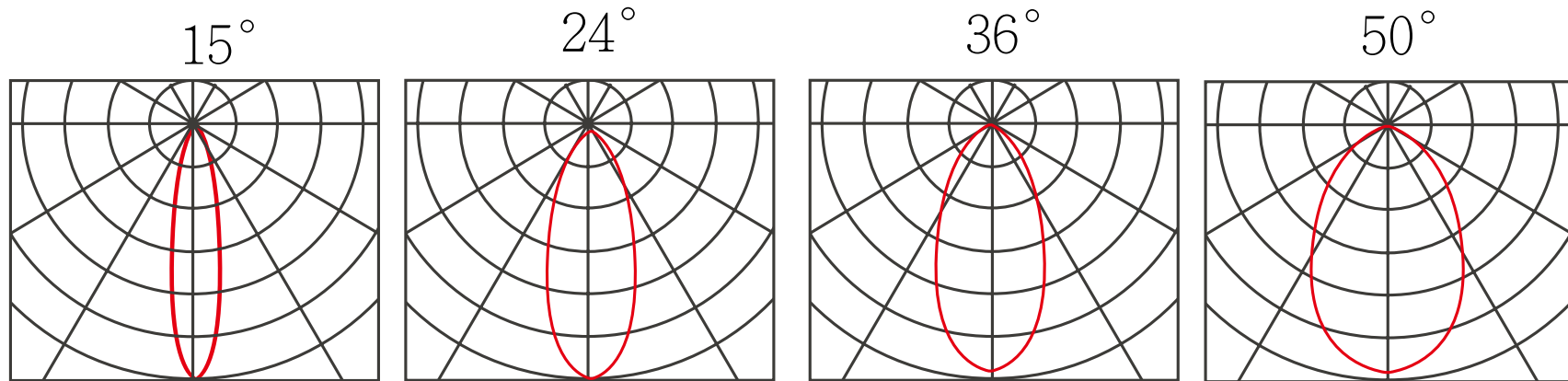
Choose the option that suits your need and write its corresponding code on the appropriate line to form the product code.

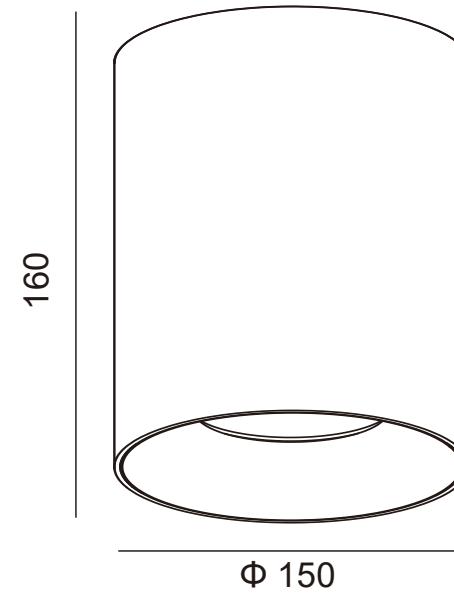
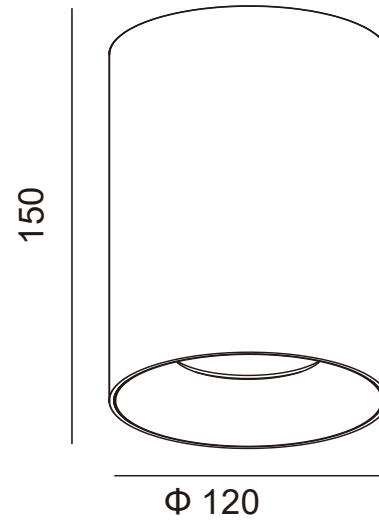
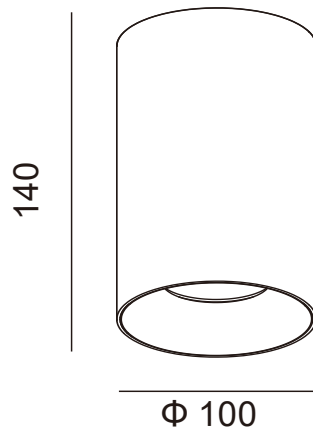
Example product code: [DETON-8W](#)

DETON - - \_\_\_\_\_  
Power Consumption

Power Consumption	
Code	Description
<a href="#">8W</a>	8W @ Dia100mm or Dia120mm
<a href="#">10W</a>	10W @ Dia100mm or Dia120mm
<a href="#">15W</a>	15W @ Dia100mm & Dia120mm
<a href="#">20W</a>	20W @ Dia120mm or Dia150mm
<a href="#">25W</a>	25W @ Dia150mm
<a href="#">28W</a>	28W @ Dia150mm

# Beam Angle





Unit: mm