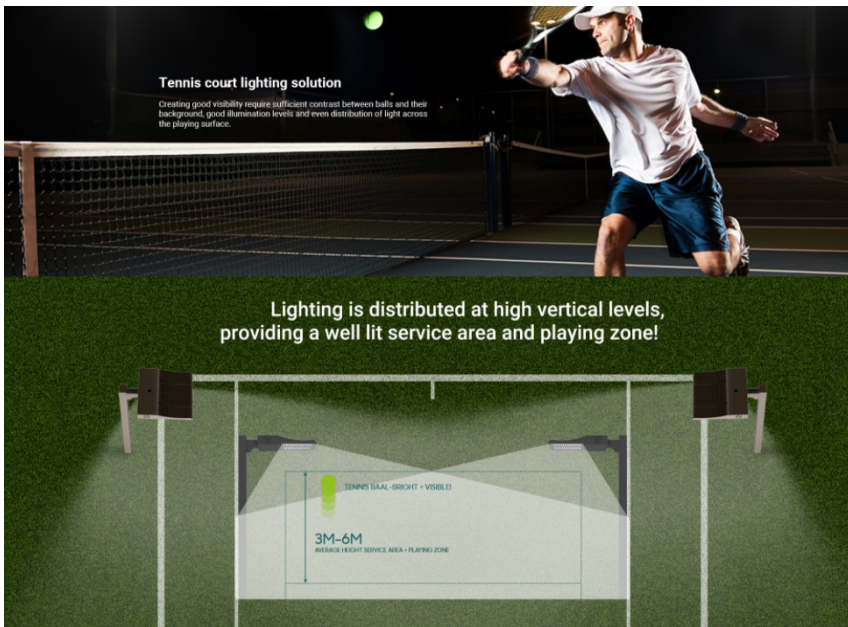


FAB



180W-600W



**Twin LED Module:
450W-600W**



**Single LED Module :
180W-240W-300W**

The LED AREA Lighting is finished by Die-cast aluminium with separated and integrated LED Driver Box , with surface anti-ageing electrostatic spray processing,super resistance to corrosion and rotated bracket, Gaskets in anti-aging rubber , tempered clear Glass and Heat Resisting Cable. It's as well a great alternative to urban furniture due to its IP66 protection rating and IK08 Impact protection, anti-corrosion and vibration test approved. Adopt modular light distribution Lens and super clear tempered glass. Button design for opening LED driver box for easy power circuit connection. And, It is able to be controlled by 0-10V,DALI,Zigbee dimming system. LED module: high-power Seoul CRI>80 up to 140lm/w . LM-80 performance approve >50,000 hours; Fixing: Top or side fitting for pole with adjustable bracket.

Good Corrosion Resistance

Electrophoresis and powder coating with strong anti-corrosion performance.

Excellent Heat Dissipation Design

FAB

180W-600W

Twin LED Module: 450W-600W

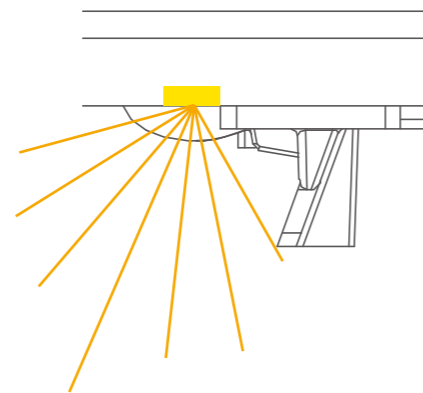


Single LED Module :180W-240W-300W



Backlight Control

Backlight control solution prevents light from being polluted in residential areas.



10KV Surge Protection & IP66 & IK10

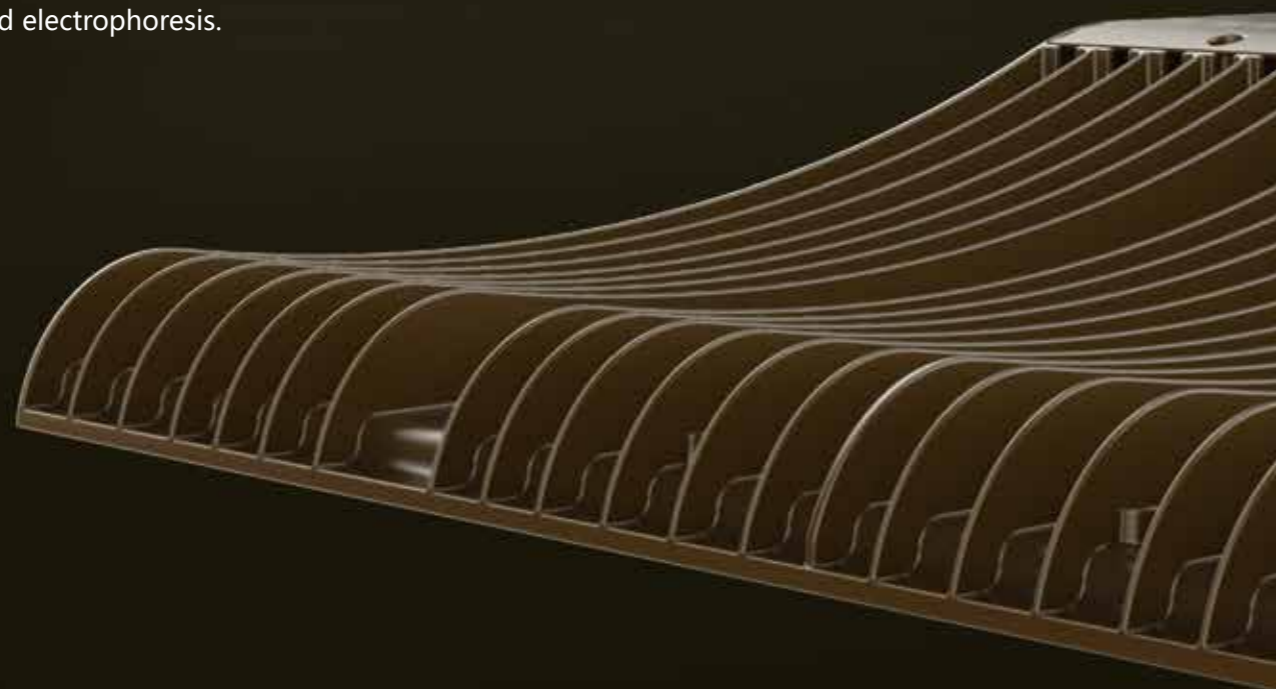
FAB

180W-600W

Another Identity- Sport Light

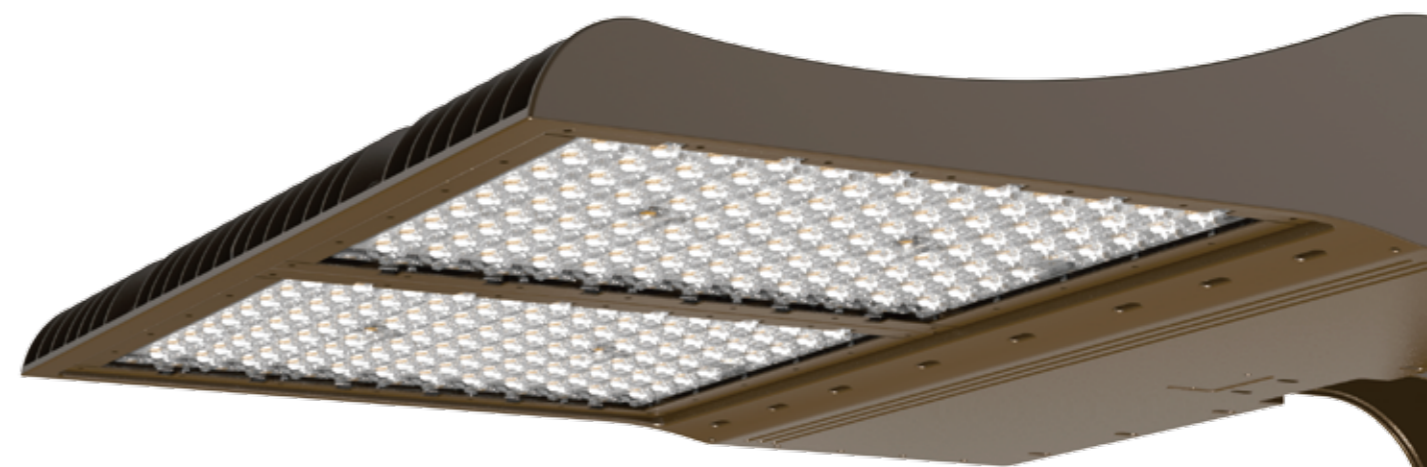


The surface treatment is powder coated and electrophoresis.



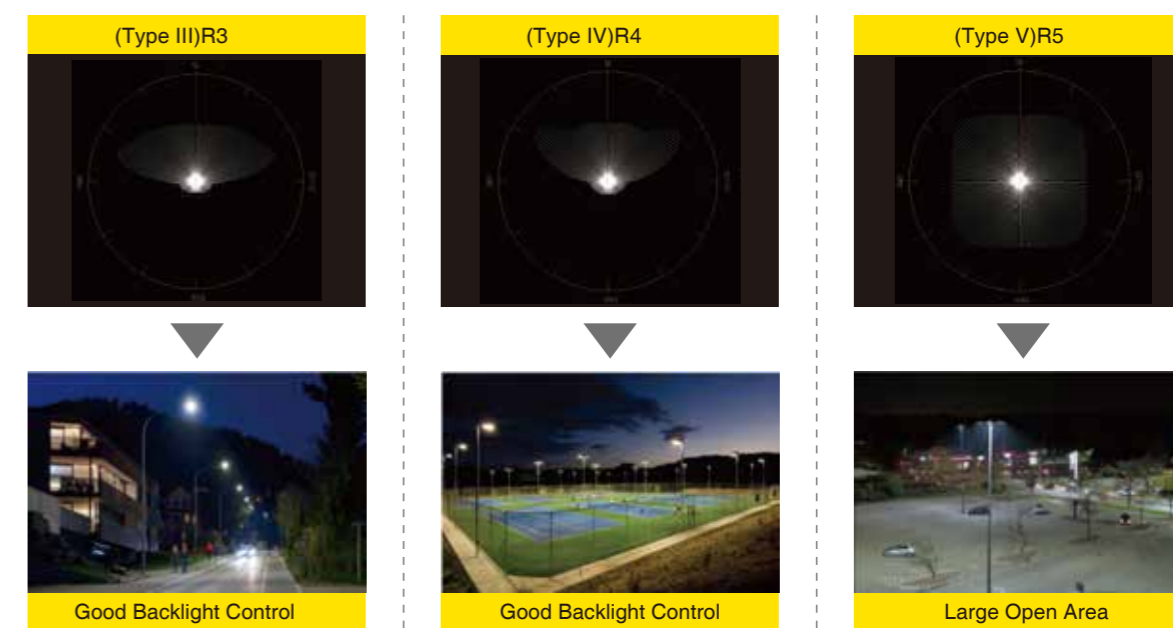
High Lumen Efficiency and Power Factor

When using Soul LEDs and Meanwell driver, lumens can be up to 155lm/w, and power factor is >0.95



Lens and Beam Angle

Type II /III/IV(Asymmetrical light distribution), no back light.
Type V(Symmetrical light distribution) for large open area.



Technical Data

Luminaire Type-安裝方式/Tipo de luminaria	Arm Mounting / Pole Mounting / Bracket Mounting 臂安裝/杆安裝/支架安裝 Brazo de montaje / montaje / poste de montaje del soporte
Power Consumption with LED Driver LED燈具包括LED驅動電源功率 Consumo de energía con controlador de LED	<ul style="list-style-type: none"> • Single LED Module : 180W 240W 300W • Double LED Module : 450W 500W 600W
Input Voltage / 輸入電壓 Voltaje de entrada	100-240 VAC / 100-277 VAC
Control控制/Control	<ul style="list-style-type: none"> • SW -ON/OFF • 1-10V / DALI • Photocell Control • Zigbee Wireless Control • NEMA photocell (3PIN) with SW- ON/OFF (Pre Setting Lux level : Light ON: 6 lux ON , Light OFF: 50lux) • NEMA photocell (5PIN) with 0-10V Dimming for auto adjustment in brightness • NEMA photocell (5PIN) with Dali Dimming Control for auto adjustment in brightness
Power Factor / 功率因數/Factor de potencia	PF>0.95
Total Harmonic Distortion/總諧波失/Distorsión armónica total	THD<15%
Protection Against Surges/防護措施/PROTECCIÓN CONTRA LAS PROMOCIONES:	• 6kV line-line, 10kV line-earth
Light Source Brand-光源品牌-Fuente de luz de marca	Korea SEOUL
"Lumen Maintenance LM-80 Reported by TM-21"	L70(10k) > 63,500 hrs
LED Life-LED壽命-La vida del LED	>50,000 hours
Color Temperature and Color 色溫和顏色 Temperatura y color del color	3000K 4000K 5000K
Color Rendering Index-顯色指數 Índice de reproducción cromática	<ul style="list-style-type: none"> • >70 • >80
MacAdam Ellipses Binning 麥克亞當橢圓分級 Mac Adam binning elipse	Standard Deviation Colour Matching 3 SCDM標準偏差配色 3 SCDM Coincidencia de color estándar Desviación
Beam Angle 光束角 ángulo de haz	<ul style="list-style-type: none"> • R1 R2 R3 R4 • R5 R6 R7 R8
Luminaire Efficacy 燈具效率 La eficacia de la luminaria	<ul style="list-style-type: none"> • 125 Lm/w(3000K) @CRI >70 ; 115 Lm/w(3000K) @CRI >80 • 140 Lm/w(4000K) @CRI >70 ; 125 Lm/w(4000K) @CRI >80 • 145 Lm/w(5000K) @CRI >70 ; 135 Lm/w(5000K) @CRI >80
LED Source Luminous Efficacy LED光源光效 Fuente luminosa LED Eficacia	<ul style="list-style-type: none"> • 145 Lm/w(3000K) @CRI >70 ; 135 Lm/w(3000K) @CRI >80 • 160 Lm/w(4000K) @CRI >70 ; 145 Lm/w(4000K) @CRI >80 • 165 Lm/w(5000K) @CRI >70 ; 155 Lm/w(5000K) @CRI >80
Housing materials外殼材料/Materiales de la carcasa	Die-cast aluminium and Tempered glass 壓鑄鋁和鋼化玻璃/Die fundición de aluminio y vidrio templado
Housing Color 外殼顏色 color de la carcasa	Polyester powders Coating(RAL 9006 Silver) or Bronze 聚酯粉末塗料 (RAL 9006 銀灰色) 或青銅色 Recubrimiento de polvos de poliéster (plata RAL 9006) o bronce
Ingress Protection-防護等級 Protección de ingreso	IP66
Mech impact protection機械衝擊保護 Protección contra impactos mecánicos	IK10
Operating Temperature Range / 工作溫度範圍 Rango de temperatura de funcionamiento	-30 °C / +50 °C / -22 °F / +122 °F
Operating Humidity -工作濕度 Humedad de funcionamiento	0~90%, non-condensing-不結霜 sin condensación
Dimension (LxWxH) 尺寸 Dimensión	<ul style="list-style-type: none"> • 180W & 240W & 300W @ 685 X 362 X 94 mm • 450W & 500W & 600W @ 740 x 658 x 104 mm
Certificate Standard Complied 符合安規標準 estándar certificado de cumplimiento	LED Luminaries: LVD: IEC/EN 60598-1;EN / IEC/EN 60598-2-3;IEC62471;IEC/EN 62031; IEC/EN 62493 ;RoHS LED Driver: IEC/EN 61347-1; IEC/EN 61347-2-13; IEC/EN 62384; IEC/EN 61000-3-2; IEC/EN 61000-3-3;IEC/EN61574;EN 55015 ; IEC /EN 62384

Certification-認證-Certificación



Project	Fixture#	Date
		Firm

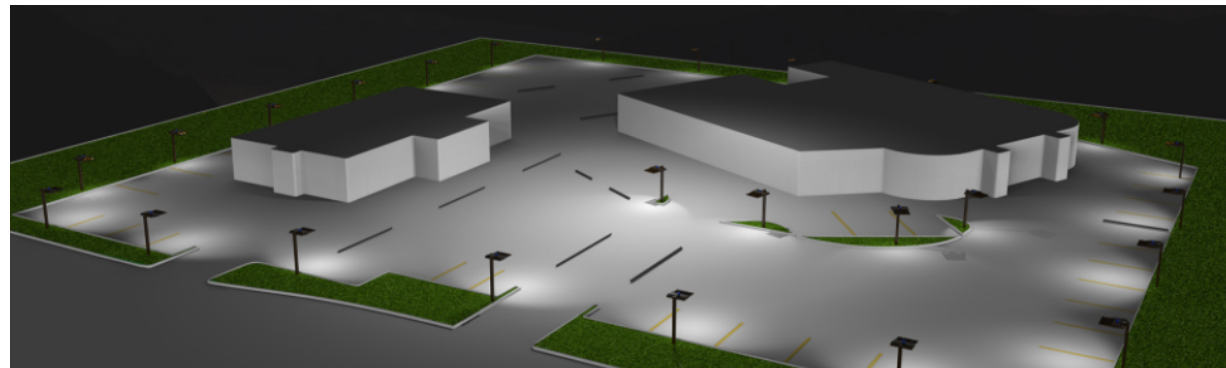
Ordering Information

Choose the option that suits your need and write its corresponding code on the appropriate line to form the product code.

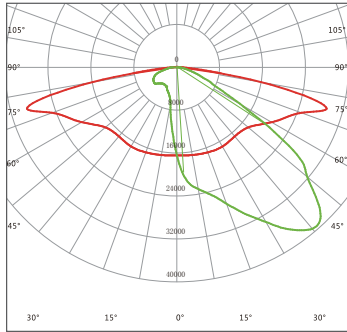
Example product code: [FAB-200W](#)

FAB - - _____
POWER
CONSUMPTION

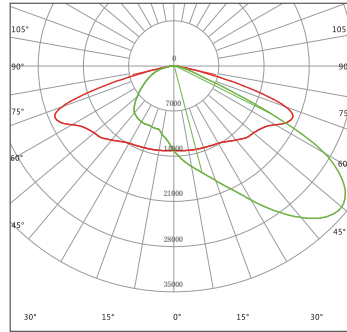
POWER CONSUMPTION	
Code	Description
180W	180W
240W	240W
300W	300W
450W	450W
500W	500W
600W	600W



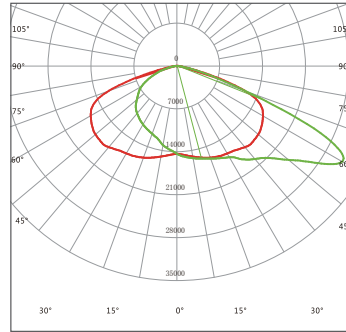
BEAM ANGLE



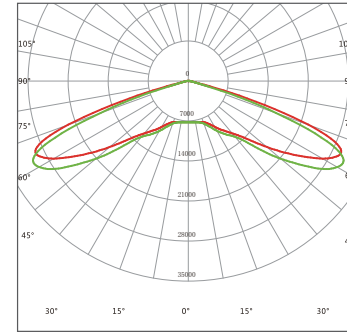
R1



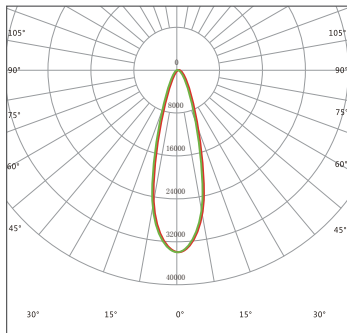
R2



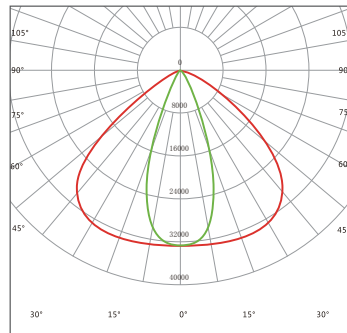
R3



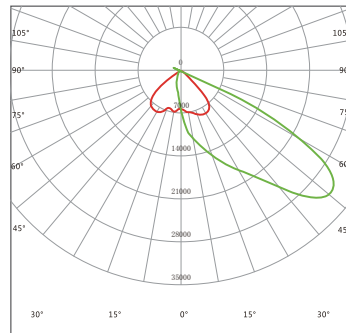
R4



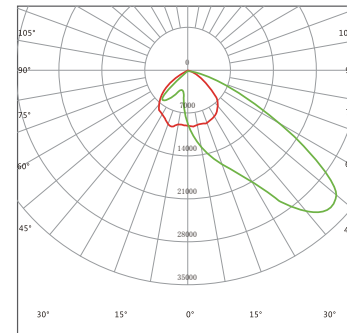
R5



R6



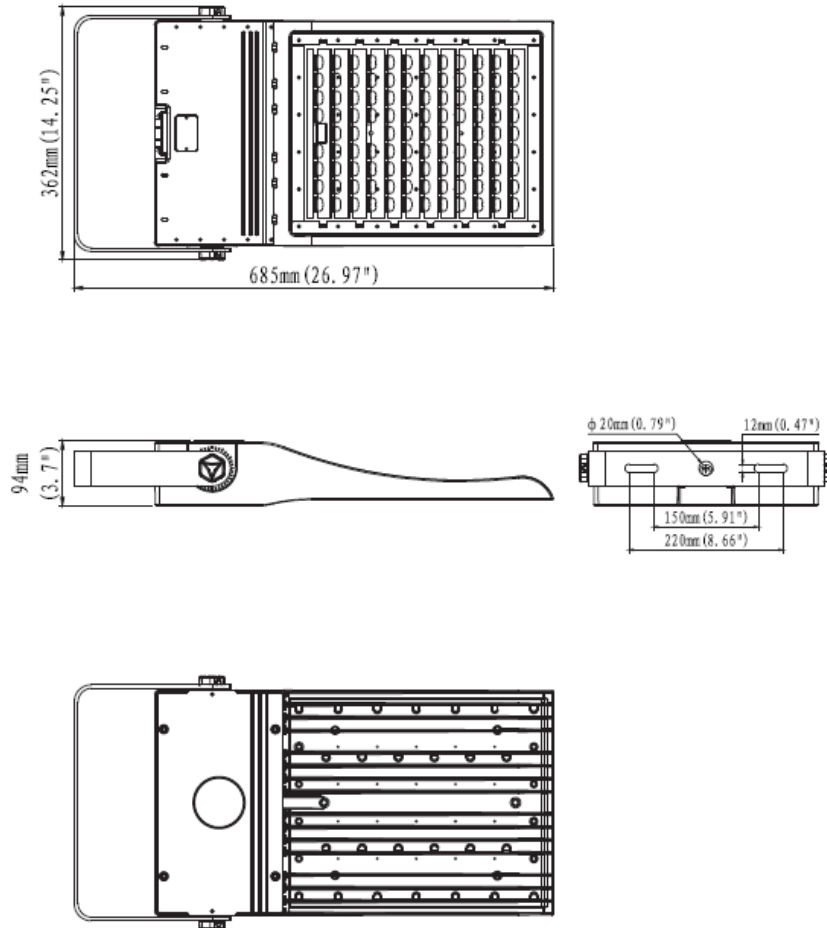
R7



R8

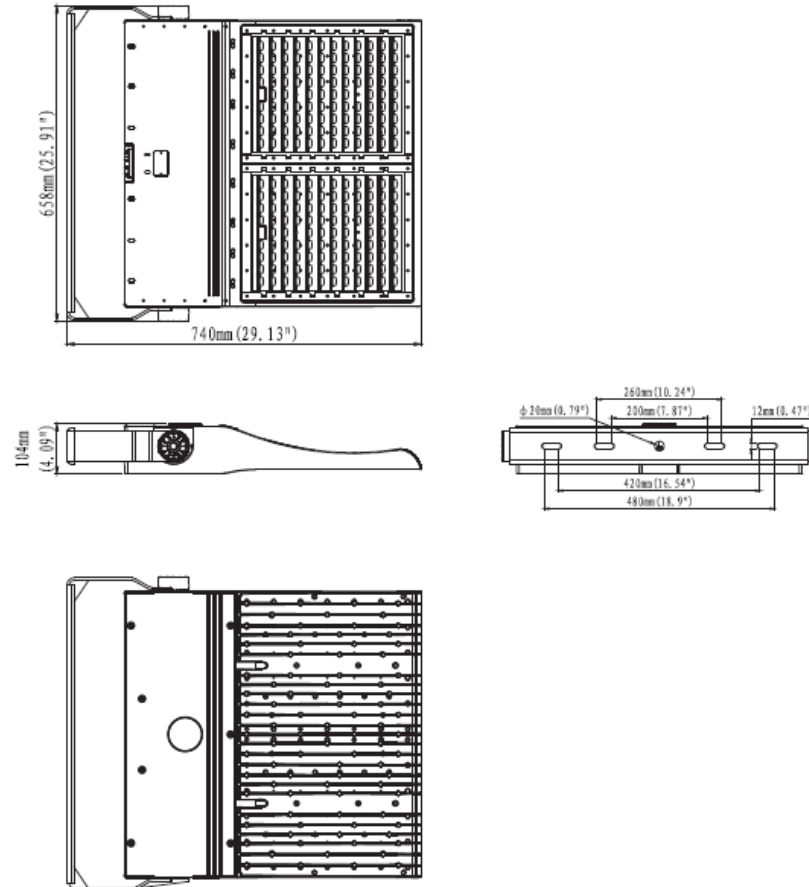
Technical Drawing

Single LED Module : 180W-240W-300W



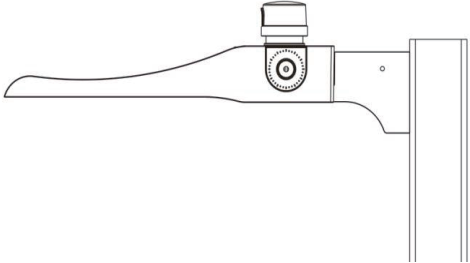
180W 240W 300W

Twin LED Module 450W-600W

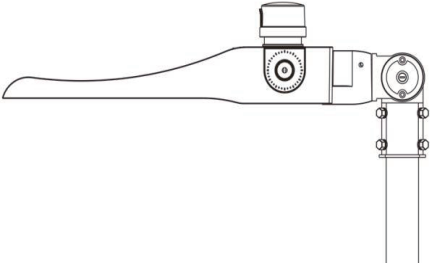


450W 500W 600W

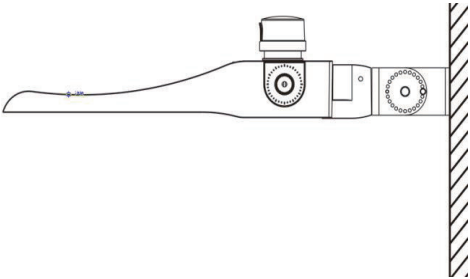
Mounting Options



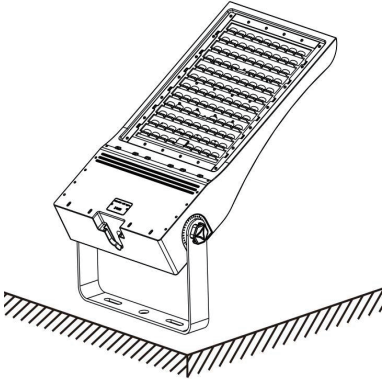
Arm Mounting
Wall Mounted



Pole Mounting



Bracket Mounting
Wall Mounted



U-Bracket Mounting

Accessories & -Mounting Option

Single LED Module : 180W-240W-300W



Twin LED Module 450W-600W



Straight Bracket

**U Bracket
Wall Mounted**

Pole Mount-post top

Pole Mount-side

Accessories



Pole Mount (side entry)



U-Bracket for



U-Bracket for
450W-600W



House Side Shield



Pole Mount (post top)



3pin NEMA



5pin NEMA



7pin NEMA Socket



Photocell
Controller