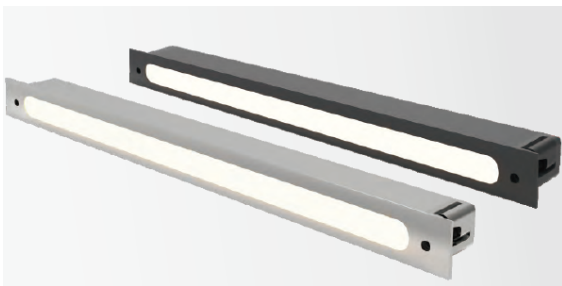


LED Linear Handrail Light

24V DC 0.5W-3.5W IP65

IP65



LED handrail lighting system, suit for standard handrail made by stainless steel and aluminium. IP65 waterproof
Suit for Standard $\text{Ø}48\text{-}52\text{mm}$
Round handrail wall thickness 0.8-3mm
Beam Angle: 10 X 100°

LED Linear Handrail Light

24V DC 0.5W-3.5W IP65

DIMON
TECHNOLOGY

Technical Data

Luminaire Type- 安裝方式 Tipo de luminaria	Recessed Mount Type 嵌入式 Empotrada Tipo Mount
Power Consumption with LED Driver LED燈具包括LED驅動電源功率 Consumo de energía con controlador de LED	24V DC 0.5W-3.5W
Input Voltage / 輸入電壓 Voltaje de entrada	DC 24V
Control Protocol/控制協議/Protocolo de Control	On/Off
Power Factor / 功率因數/Factor de potencia	PF>0.8
"Lumen Maintenance LM-80 Reported by TM-21"	L70(10k) > 63,500 hrs
LED Life-LED壽命-La vida del LED	>50,000 hours
Color Temperature and Color 色溫和顏色 Temperatura y color del color	2700K 3000K 4000K 5000K 6500K
Color Rendering Index-顯色指數 Índice de reproducción cromática	>80 >90
MacAdam Ellipses Binning 麥克亞當橢圓分級 Mac Adam binning ellipse	Standard Deviation Colour Matching < 3 SDCM 標準偏差配色< 3 SDCM Coincidencia de color estándar Desviación < 3 SDCM
Beam Angle/光束角/ángulo de haz	10 x 100°
Housing materials外殼材料 Materiales de la carcasa	Die-cast aluminium and Stainless steel 壓鑄鋁和不鏽鋼 Acero inoxidable
Housing Color外殼顏色 color de la carcasa	Matte Silver 啞光銀 Plata mate
Ingress Protection-防護等級 Protección de ingreso	IP65
Operating Temperature Range / 工作溫度範圍 Rango de temperatura de funcionamiento	-30 °C / +50 °C
Operating Humidity -工作濕度 Humedad de funcionamiento	0~90%, non-condensing-不結霜 sin condensación
Dimension尺寸Dimensión	Refer to Technical Drawing 請參閱技術圖紙Consulte el dibujo técnico
Certificate Standard Complied 符合安規標準 estándar certificado de cumplimiento	LED Luminaries: IEC 60598-1;IEC 60598-2-5;RoHS LED Driver: IEC/EN 61347-1; IEC/EN 61347-2-13; IEC/EN 62384; IEC/EN 61000-3-2; IEC/EN 61000-3-3;IEC/EN61574;EN 55015
Certification-認證-Certificación	IP65

Project	Fixture#	Date
		Firm



Ordering Information

Choose the option that suits your need and write its corresponding code on the appropriate line to form the product code.

Example product code: [Handrail light-3W-124](#)

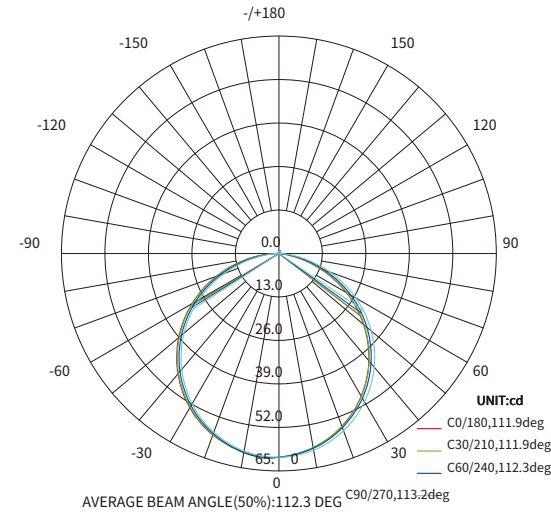
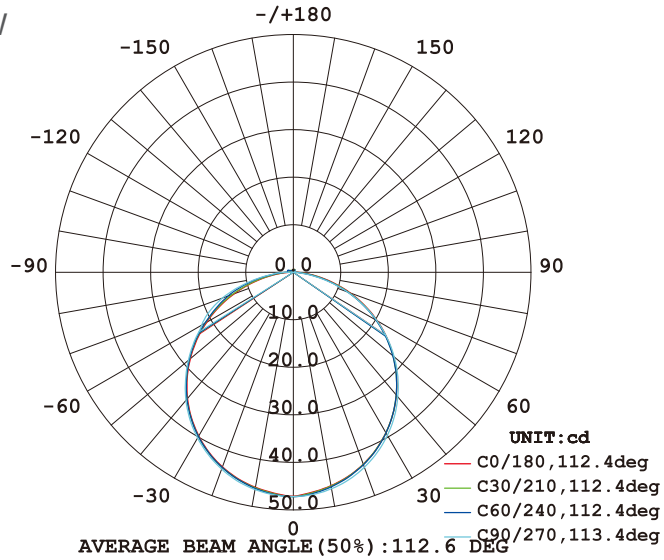
LED-LINEAR-HANDRAIL-LIGHT - -

POWER
CONSUMPTION

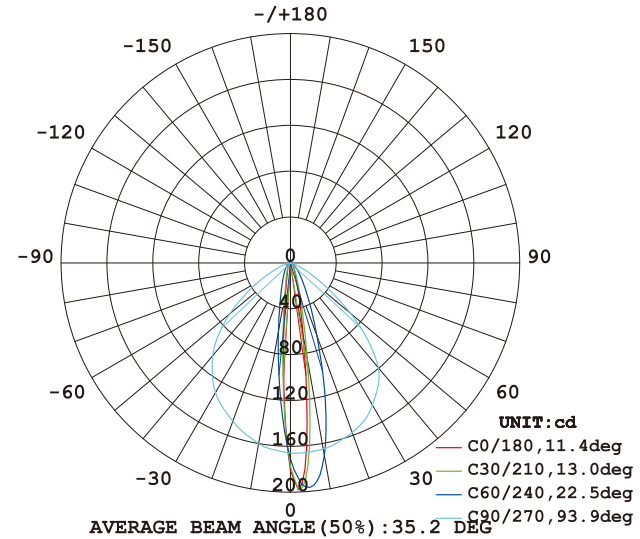
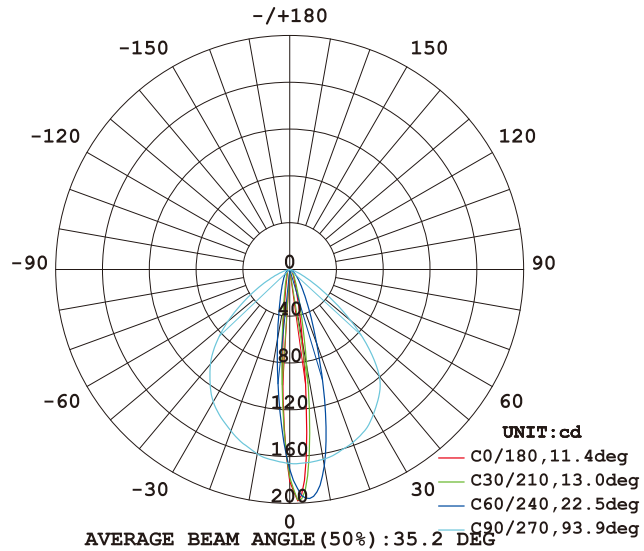
POWER CONSUMPTION	
Code	Description
0.5W-85	0.5W 24V DC @ 85 x 21 x 17.5mm
1.5W-185	1.5W 24V DC @ 185 x 17.5 x 21mm
2.5W-285	2.5W 24V DC @ 285 x 17.5 x 21mm
3.5W-385	3.5W 24V DC @ 385 x 17.5 x 21mm
0.5W-80	0.5W 24V DC @ 80 x 17.5 x 21mm
1.5W-180	1.5W 24V DC @ 180 x 17.5 x 21mm
2.5W-280	2.5W 24V DC @ 280 x 17.5 x 21mm
3.5W-380	3.5W 24V DC @ 380 x 17.5 x 21mm
3W-124	3W 24V DC @ 124 x 30 x 32mm
5W-124	5W 24V DC (3W for each single CCT) @ 124 x 30 x 32mm
3W-110	3W 24V DC @ 110 x 30 x 30mm
5W-110	5W 24V DC (3W for each single CCT) @ 110 x 30 x 30mm

Beam Angle

0.5W-3.5W

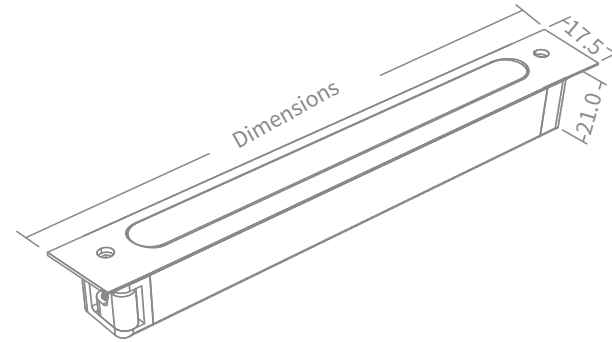
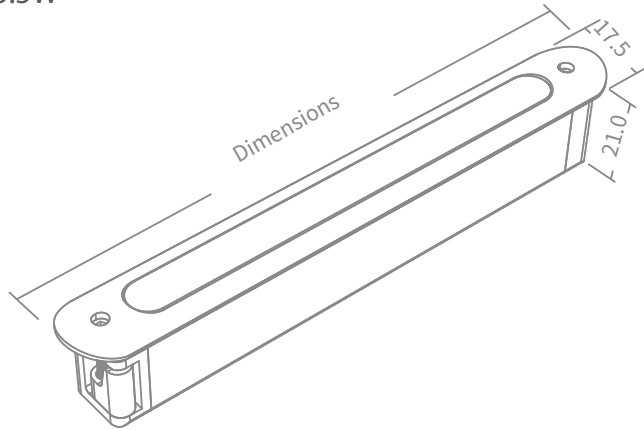


3W / 5W

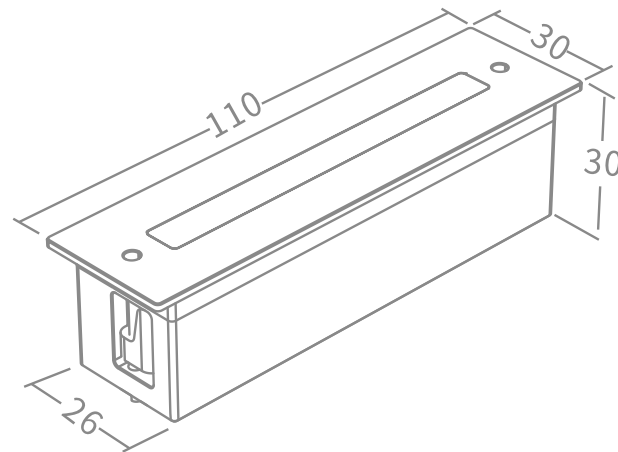
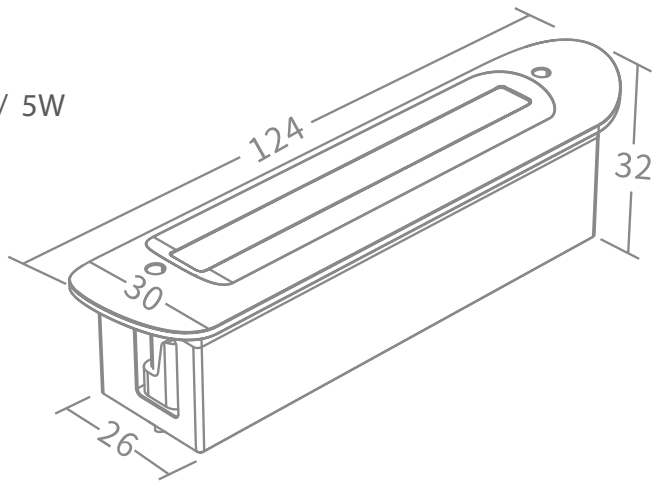


Technical Drawing

0.5W-3.5W



3W / 5W



Unit: mm