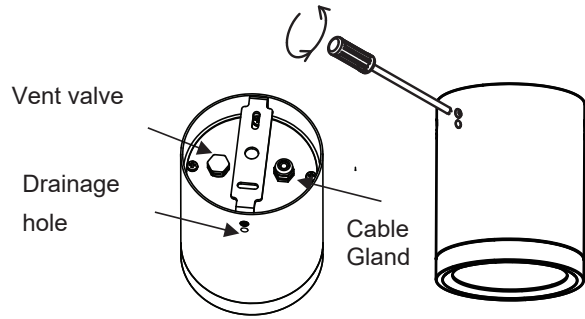
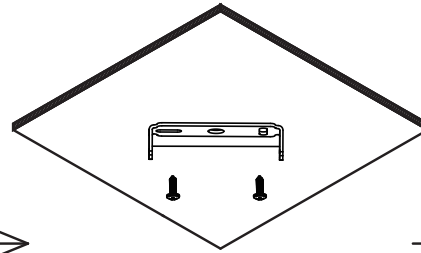


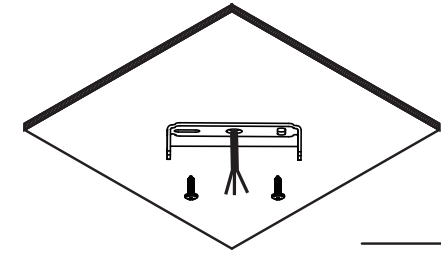
## INSTALLATION DIAGRAM



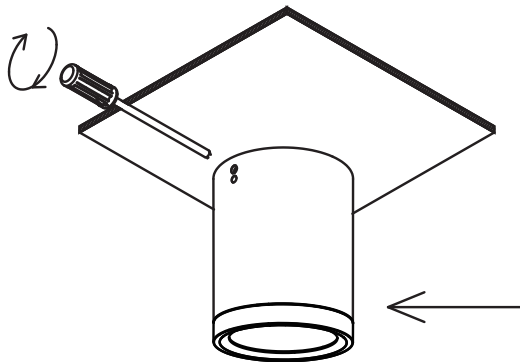
1. Loosen the M3 screw by screwdriver and take out the product mounting bracket.



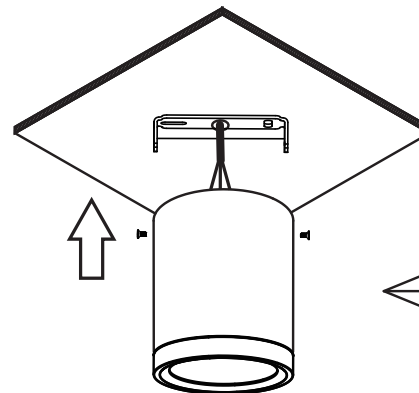
2. Positioning the mounting bracket on the ceiling and drilling two holes in diameter  $\text{Ø}6.0$



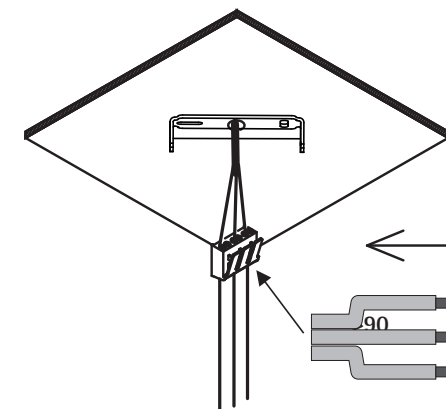
3. Pull the wire out and fix the mounting bracket by tighten the self-tapping screw with a screwdriver



6. lock the screw by screwdriver. Then the installation completed.



5. location the light body and mounting bracket well. Fix the light body on the mounting bracket.



4. Connect the 240V cable with the connector