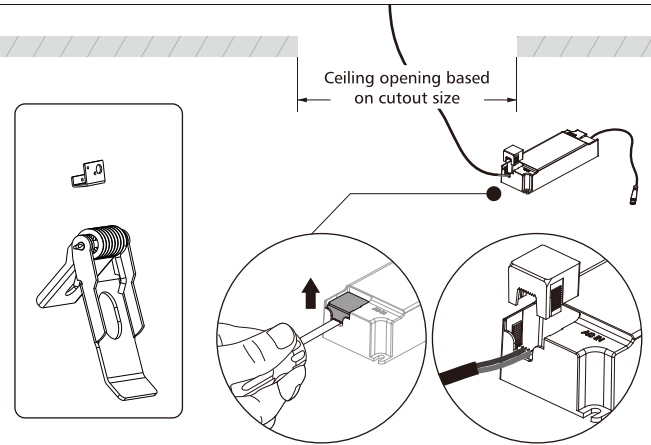


Recessed(1)

Cutout Size

Panel Size	Cutout
295x595mm	270x570mm
595x595mm	570x570mm
620x620mm	595x595mm
295x1195mm	270x1170mm
595x1195mm	570x1170mm

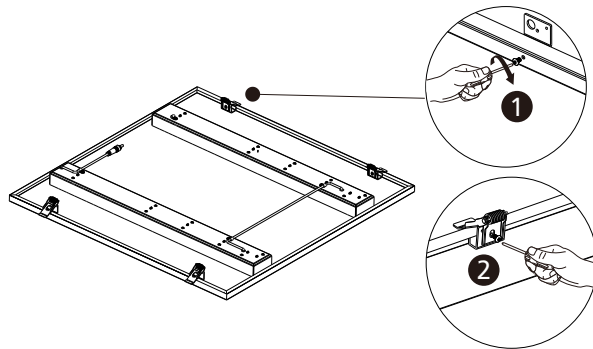
Clips should be purchased separately as an accessory



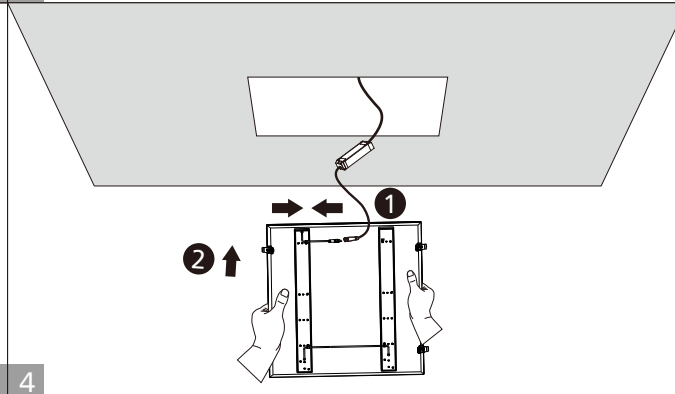
Installation Procedure

WARNING ⚡

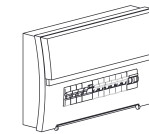
1. Switch off before installation.
2. Switch on only after complete installation and examination of the circuit.
3. Professional electrician for installation and maintenance only.



1 2

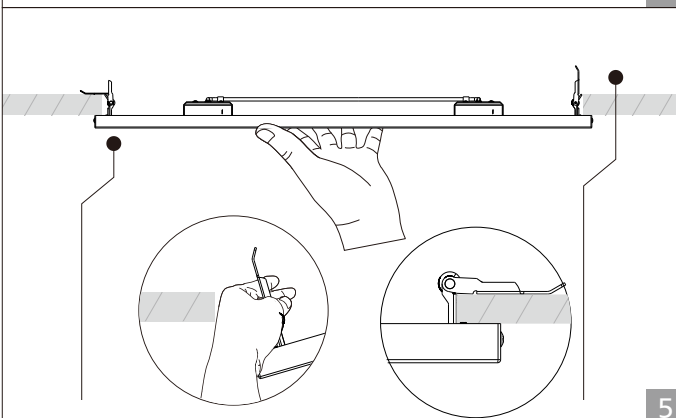


3 4



**Turn Off
Power Supply**

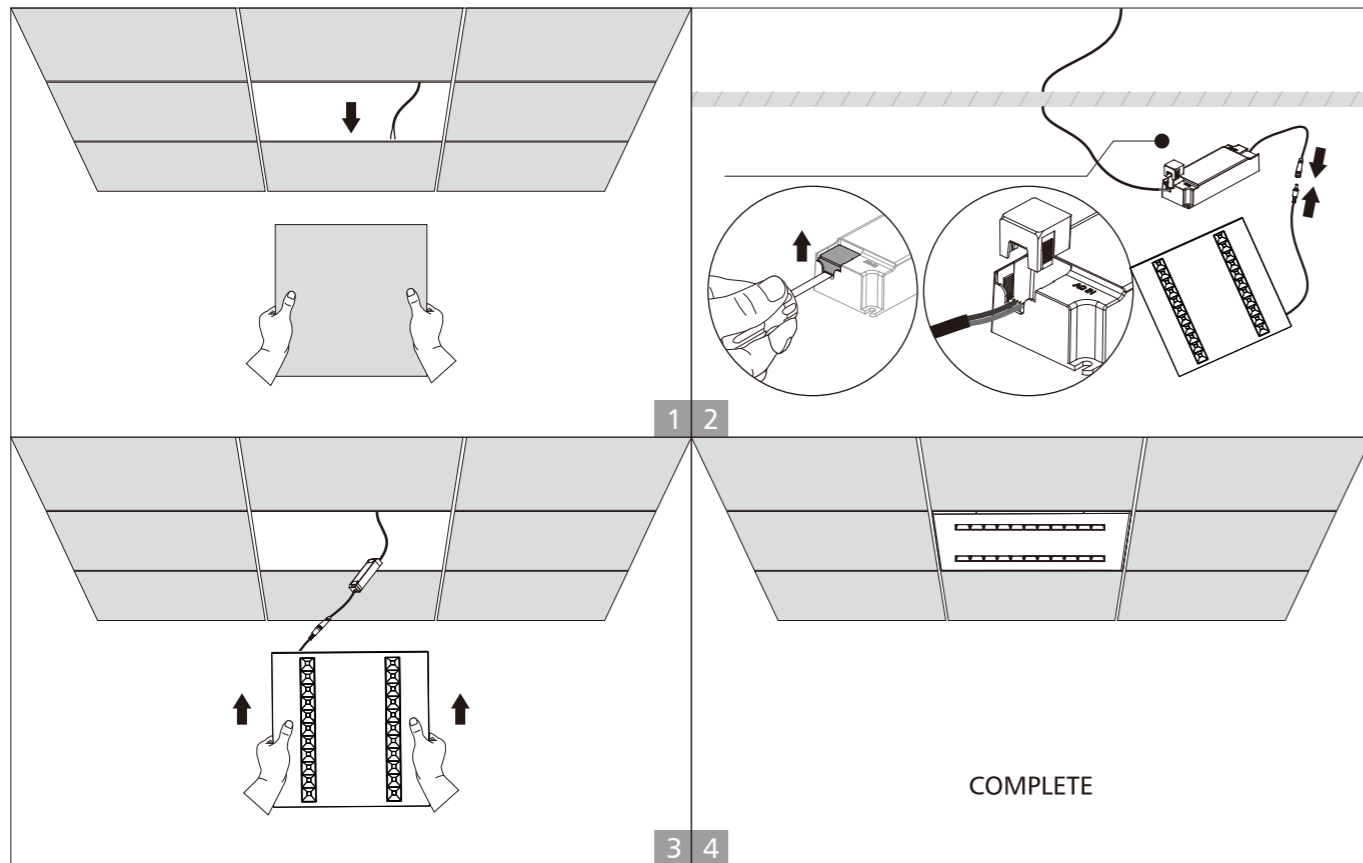
Turn Off power supply before starting any installation.
Read instructions & check you have all the tools & accessories
to complete the installation correctly.



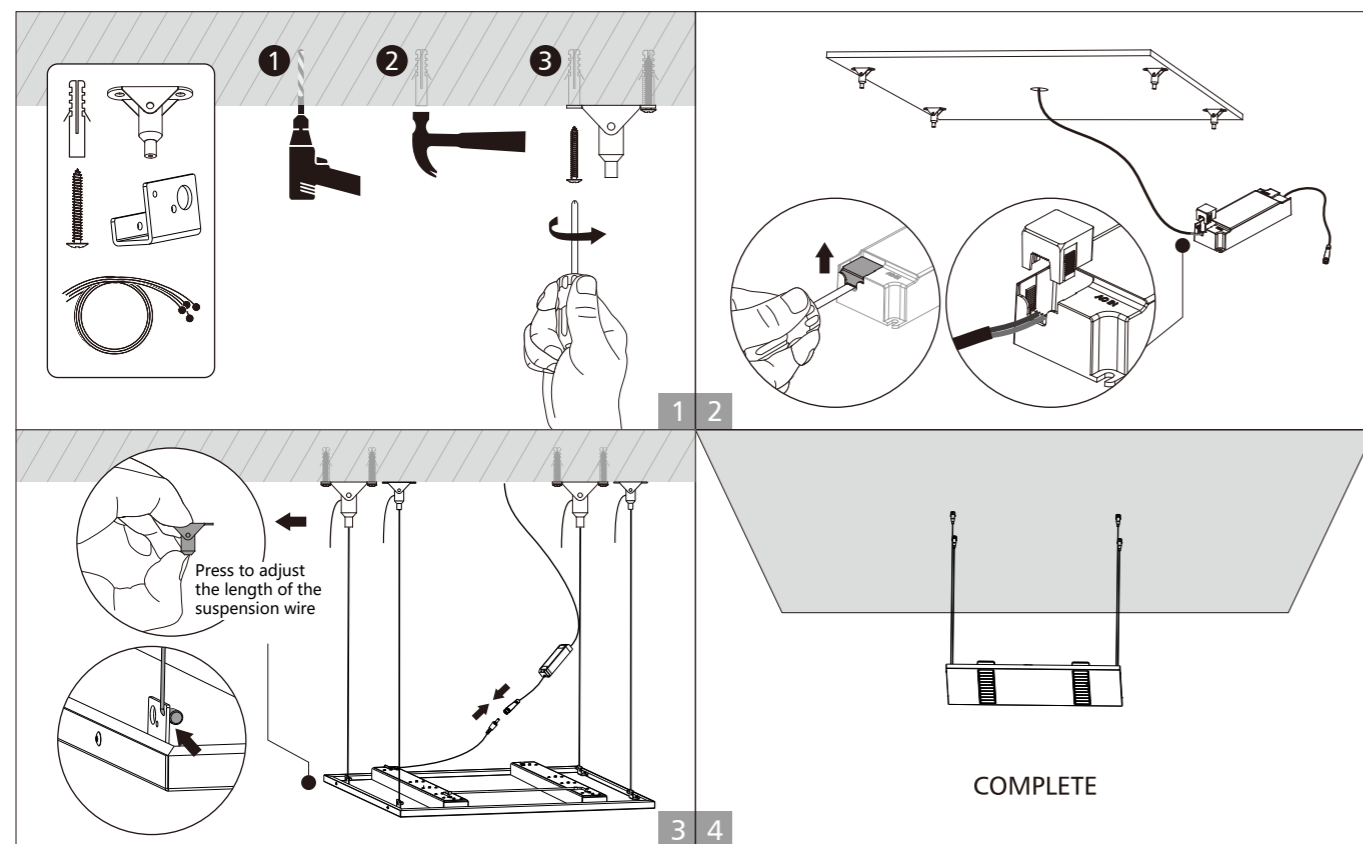
5 6

COMPLETE

■ Recessed(2)



■ Pendant



■ Surface mount

