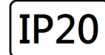


## LASHA-R-G2

70W Max IP20 UGR19



This grille light is a new louver with Polycarbonate Diffuser system for anti-glare design UGR<19, direct lighting design makes a high lumen efficiency and uniform light output, it is an ideal combination of stylish and high performance. Compact and seamless splicing structure design. Big light - emitting surface with whole front area. Direct lighting with a high lumen efficiency. Anti-glare design, UGR<19. Optional: 1-10V or Dali LED Driver

# LASHA-R-G2

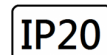
## 60W Max IP20 UGR19

**DIMON**  
TECHNOLOGY

### Technical Data

Luminaire Type-安裝方式/Tipo de luminaria	Recessed Mounted 嵌入式, Empotrado Montado		
Power Consumption with LED Driver LED燈具包括LED驅動電源功率 Consumo de energía con controlador de LED	• L: 595 x W: 595 mm : 25W	30W	36W
	• L:1195 x W: 595 mm : 50 W	60W	
Input Voltage / 輸入電壓 Voltaje de entrada	220-240V/AC 50/60Hz		
LED Driver Type LED驅動款式 Tipo de controlador LED	Integrated-type LED Driver--Constant Current LED Driver Refer to LED driver specification 請參閱LED驅動器規格 Consulte la especificación de controlador de LED 1. ON/OFF Switch 220-240V/AC 50/60Hz 2. 1-10V Dimming Driver 220-240V/AC 50/60Hz 3. Dali Dimming Driver 0-100% Dimming 220-240V/AC 50/60Hz 4. Remoted Emergency Backup >2 hours or >3 hours		
LED Driver Features Constant Current LED Driver: 驅動特性-恆流LED驅動器 Funciones del controlador de LED	POWER FACTOR : PF>=0.95 / TOTAL HARMONIC DISTORTION: THD< 15% Refer to LED driver specification 請參閱LED驅動器規格 Consulte la especificación de controlador de LED		
Control Protocol/控制協議/Protocolo de Control	1-10V / Dali		
Light Source Brand-光源品牌-Fuente de luz de marca	SAMSUNG LED		
"Lumen Maintenance LM-80 Reported by TM-21"@ 25°C	L80(10k) > 63,500 hrs	L70(10k) > 65,000 hrs	
LED Life-LED壽命-La vida del LED	>60,000 hours		
Color Temperature -色溫 Temperatura del color	2700K / 3000K / 4000K / 5000K /6500K		
Color Rendering Index-顯色指數 Índice de reproducción cromática	>80 >90		
MacAdam Ellipses Binning 麥克亞當橢圓分級 Mac Adam binning ellipse	Standard Deviation Colour Matching < 3 SDCM 標準偏差配色< 3 SDCM Coincidencia de color estándar Desviación < 3 SDCM		
Beam Angle光束角ángulo de haz	120°		
Luminaire Efficacy 燈具效率 La eficacia de la luminaria	100Lm/w(2700K) 120 Lm/w(5000K)	100Lm/w(3000K) 120 Lm/w(6500K)	110 Lm/w(4000K)
LED Source Luminous EfficacyLED光源光效 Fuente luminosa LED Eficacia	140Lm/w(2700K) 160 Lm/w(5000K)	140Lm/w(3000K) 160 Lm/w(6500K)	150 Lm/w(4000K)
Housing materials 外殼材料 Materiales de la carcasa	Aluminum Frame and Opal Polycarbonate Diffuser 鋁製框架和乳白PC擴散器 Difusor Policarbonato Opal		
Housing Color外殼顏色 color de la carcasa	Matte white RAL 9003 Nano Powder coating 啞光白色 RAL 9003 納米粉末塗層 Blanco mate RAL 9003 Revestimiento en polvo nano		
Ingress Protection-防護等級 Protección de ingreso	IP20		
Operating Temperature Range / 工作溫度範圍 Rango de temperatura de funcionamiento	-20 °C / +50 °C		
Operating Humidity /工作濕度/Humedad de funcionamiento	0~90%, non-condensing-不結霜sin condensación		
Dimension尺寸Dimensión	L: 595 x W: 595 x H: 65 mm      L: 1195 x W: 595 x H: 65 mm		
Comply Testing Standard 符合測試標準 Cumplir el estándar de prueba	LED Luminaries: LVD: IEC/EN 60598-1;EN / IEC/EN 60598-2-1;IEC62471;IEC/EN 62031; IEC/EN 62493 ; IEC/EN 62471 (Risk Group 1) LED Driver: IEC/EN 61347-1; IEC/EN 61347-2-13; IEC/EN 62384; IEC/EN 61000-3-2; IEC/EN 61000-3-3;IEC/EN61574;EN 55015 ; IEC /EN 62384		

Certification-認證-Certificación



Project	Fixture#	Date
		Firm



## Ordering Information

Choose the option that suits your need and write its corresponding code on the appropriate line to form the product code.

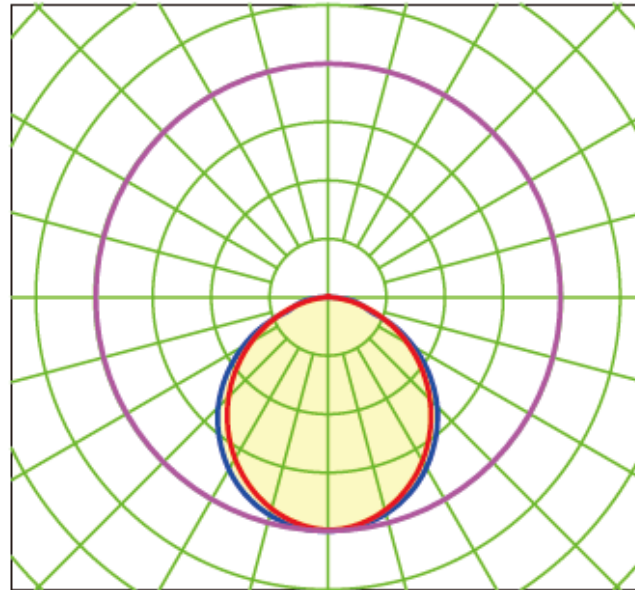
Example product code: [LASHA-36W-AN-N-R](#)

LASHA-R - - - R

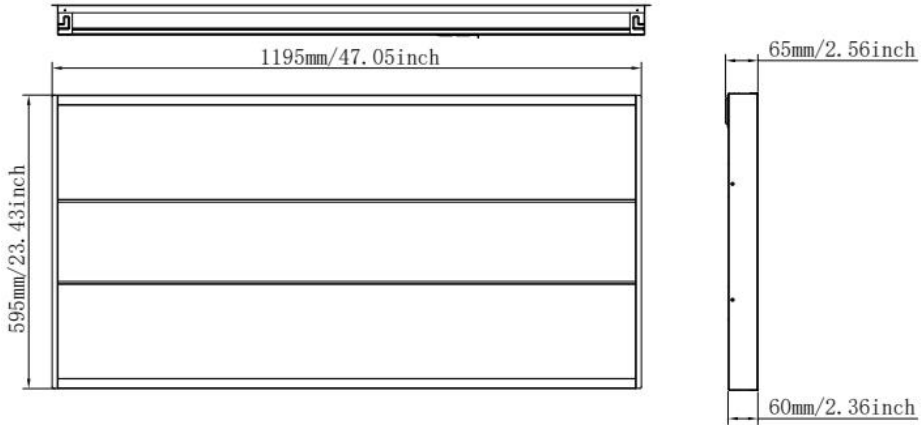
POWER CONSUMPTION
LED Drive Type
Color Tempreture
MOUNTING TYPE

POWER CONSUMPTION		LED Drive Type		Color Tempreture		MOUNTING TYPE	
Code	Description	Code	Description	Code	Description	Code	Description
<a href="#">25W</a>	25W@L: 598 x W: 598 mm	<a href="#">AN</a>	ON/OFF AC220-240V 50/60HZ	<a href="#">W</a>	3000k	<a href="#">R</a>	RECESSED MOUNT
<a href="#">30W</a>	30W@L: 598 x W: 598 mm	<a href="#">DA</a>	DALI DIMMING AC220-240V 50/60HZ	<a href="#">N</a>	4000k		
<a href="#">36W</a>	36W@L: 598 x W: 598 mm	<a href="#">ZI</a>	1-10V DIMMING AC220-240V 50/60HZ	<a href="#">D</a>	5000k		
<a href="#">50W</a>	50W@L: 1198 x W: 598 mm			<a href="#">C</a>	6500K		
<a href="#">60W</a>	60W@L: 1198 x W: 598 mm						
<a href="#">70W</a>	70W@L: 1198 x W: 598 mm						

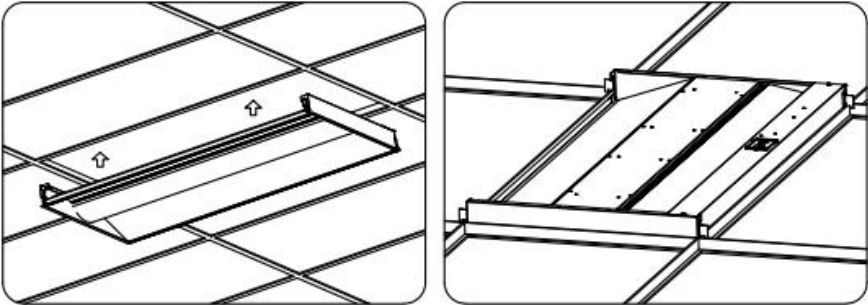
# Beam Angle



# Technical Drawing



## ■ INSTALLATION



### ■ Electrical Connection

