

LETER-G2 (LED Steel Panel Light)

Steel Panel for LED LED T5



- Optional Air-Tight Treatment for the clean room ISO 14644-1 application
- PMMA Prismatic or Opal Polycarbonate diffuser for resistant dust and moth
- Transmittance rate of the prismatic plate: 80%
- Transmittance rate of Opal Polycarbonate diffuser : 75%
- Compatible with LED T5 Tube lamp
- Anti rust treated white-painted sheet steel housing
- Integrated LED Control Gear 1-10V and DALI, and Zigbee wireless

LETER-G2(LED Steel Panel Light)


Steel Panel for LED &LED T5

DIMON
TECHNOLOGY

Technical Data

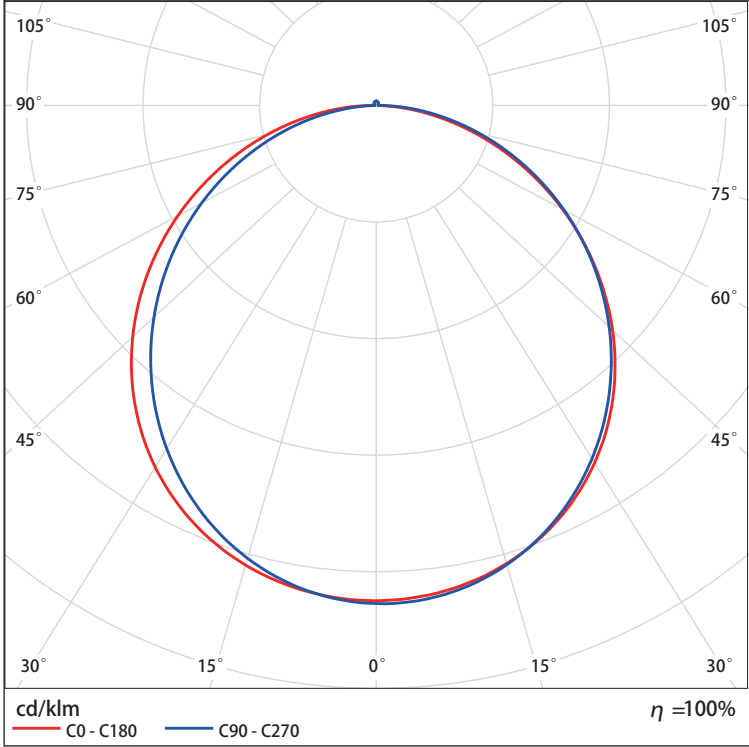
Luminaire Type- 安裝方式 Tipo de luminaria

Recessed Mount 暗裝式燈具 Montaje empotrado

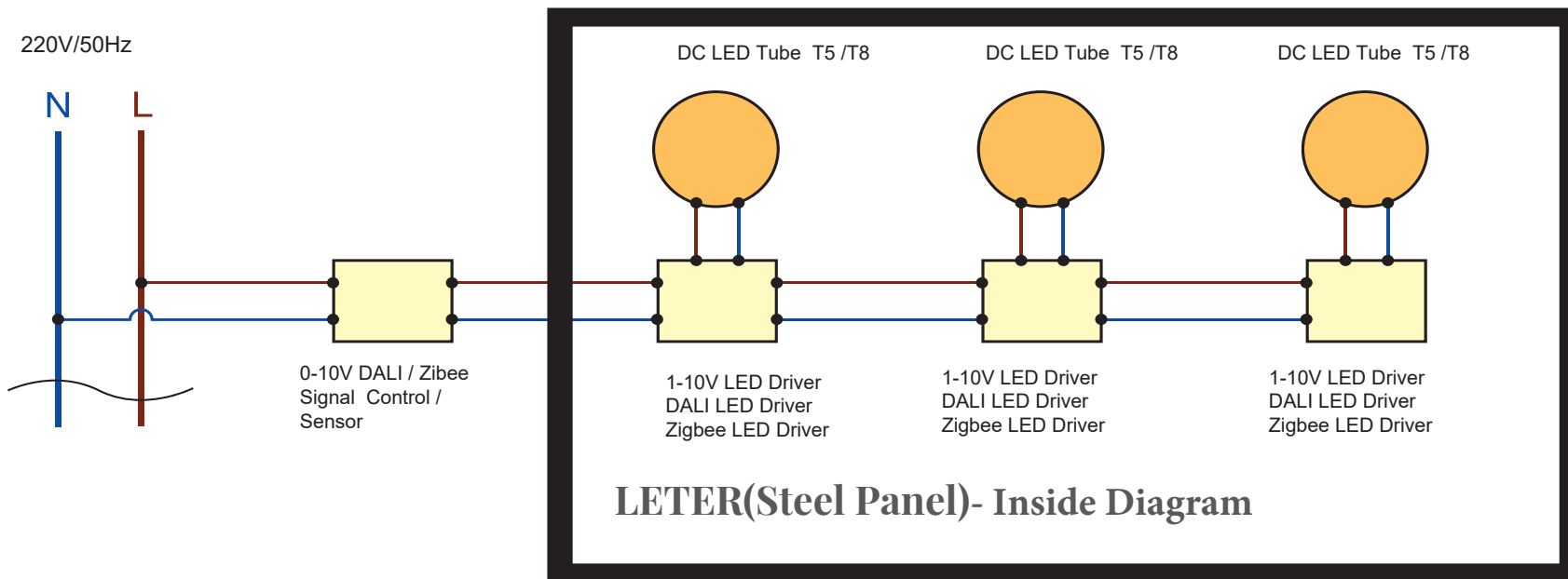
Dimension-尺寸-Dimensión Cut-off Dimension -開孔尺寸 Dimensión de corte	W:598x L:598 mm W:580x L:580 mm	W:598x L:1198mm W:580x L:1180mm
Input Voltage-輸入電壓-Voltaje de entrada	AC 220 -240V 50/60HZ	
Power Consumption Max 燈具功率 Consumo de energía Max	75W Max Refer to Specification Code and LED Tube Power 75W Max 參考規格代碼和 LED 燈管功率 75 W máx. Consulte el código de especificación y la potencia del tubo LED	
LED Driver Type LED驅動款式 Tipo de controlador LED	Integrated-type LED Driver for DC LED T5 / T8 Application--Refer to LED driver specification 請參閱LED驅動器規格Consulte la especificación de controlador de LED 1. ON/OFF Switch AC220-240V 50/60HZ 2. 1-10V Dimming Driver AC220-240V 50/60HZ for DC LED Tube 3. Dali 1-100% Dimming Driver AC220-240V 50/60HZ for DC LED Tube 4. DMX 1-100% Driver AC220-240V 50/60HZ for DC LED Tube 5. ZIGBEE Wireless Control (Remoted Driver) AC220-240V 50/60HZ for DC LED Tube 6. Emergency Backup >2 hours or >3 hours @ < 12 charger hours應急電池/Copia de seguridad de emergencia 7. Microwave Sensor : 0-10V control / DALI / ZIGBEE 8. Daylight Sensor : 0-10V control / DALI / ZIGBEE	
LED Driver Features Constant Current LED Driver: 驅動特性-恆流LED驅動器 Funciones del controlador de LED	• POWER FACTOR : PF>0.90 or PF >0.95 • TOTAL HARMONIC DISTORTION: THD< 20% • Refer to LED Driver data sheet	
Control Protocol-控制協議 Protocolo de Control	1-10V / Dali / DMX 512 / RDM / ZIGBEE Wireless Control	
Beam Angle 光束角 ángulo de haz	Refer to LED T5 / T8 tube data sheet	
Photobiological safety-IEC 62471 / of Luminaire 光生物安全檢驗(ICE/EN 62471) 結果: Seguridad fotobiológica-IEC 62471	• Low Risk Group 1 (RG1) Refer to LED T5 / T8 Specification • 低風險組1 (RG1) 參閱LED T5 / T8規格 • Grupo de bajo riesgo 1 (RG1) Consulte la especificación LED T5 / T8	
Housing materials-外殼材料 Materiales de la carcasa	Steel sheet with Prismatic PMMA diffuser or Opal Polycarboante Diffuser 鋼板外框棱柱形PMMA 擴散器燈罩或乳白PC 擴散器燈罩 Chapa de acero con difusor de PMMA Prismático o Difusor de Policarbonato Opal	
Trim Housing Color 框外殼顏色 color de la carcasa	White coating RAL 9016 白色塗層RAL 9016 Recubrimiento blancoRAL 9016	
Transmittance rate of diffuser 擴散板透過率 asa de transmitancia del difusor	• Prismatic Diffuser: 80% 棱鏡擴散器80% Difusor prismático: 80% • Opal Polycarboante Diffuser: 70% 乳白PC 擴散器燈罩: 70% Difusor de Policarbonato Opal: 70%	
Operating Temperature Range / 工作溫度範圍 Rango de temperatura de funcion amiento	-30 °C / +50 °C	
Operating Humidity -工作濕度 Humedad de funcionamiento	0~90%, non-condensing-不結霜 sin condensación	
Ingress Protection-防護等級 Protección de ingreso	IP20 or IP54 or Air-Tight Type	
Comply Testing Standard 符合測試標準 Cumplir el estándar de prueba	Luminaires: IEC/ EN 60598-1 / EN 60598-2-1 / EN 62031 / EN 62493 LED Driver :IEC/EN 62471 / IEC 60598-2-22 / IEC 62031 /EN 55015 / EN 61000-3-2 / EN 61000-3-3 / EN 61547 LED T5 /T8 :IEC/EN 62471 / IEC 60598-2-22 / IEC 62031 /EN 55015 / EN 61000-3-2 / EN 61000-3-3 / EN 61547 / IEC 62262 / IEC 60529 / IEC TR62778 Luminaries Performance : IEC 62722-1 / IEC 62722-2-1 FSD regulation PPA 105A (4th Rev). RoHS	
Certification-認證-Certificación		

BEAM ANGLE

110°

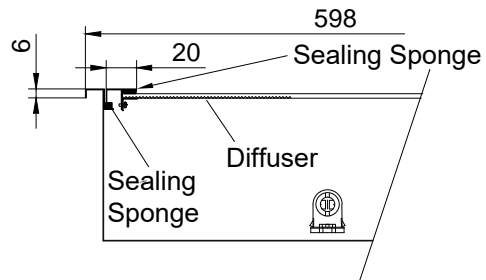


1-10v / Dali / Zibee dimming wiring diagram

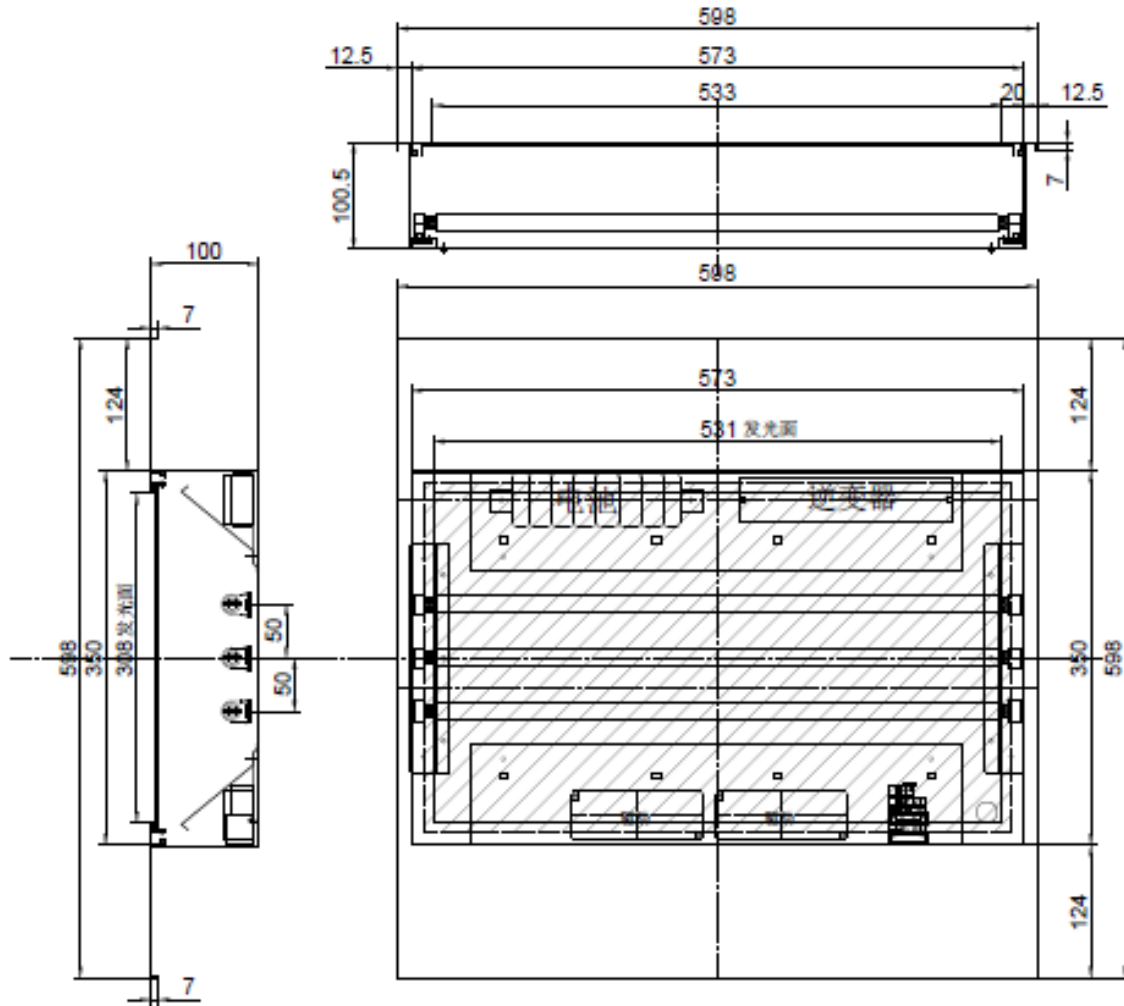
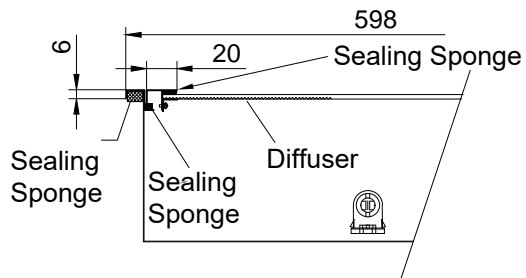


Technical Drawing

IP54 Protectoin



**Air-Tight Treatment for the clean room
ISO 14644-1 application**



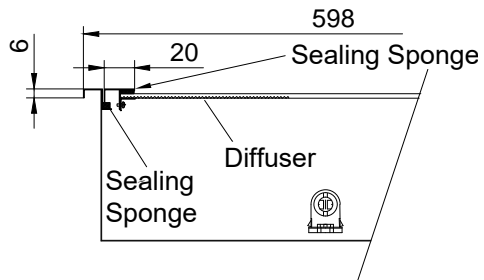
Cut-off: 580x580mm

Unit : mm

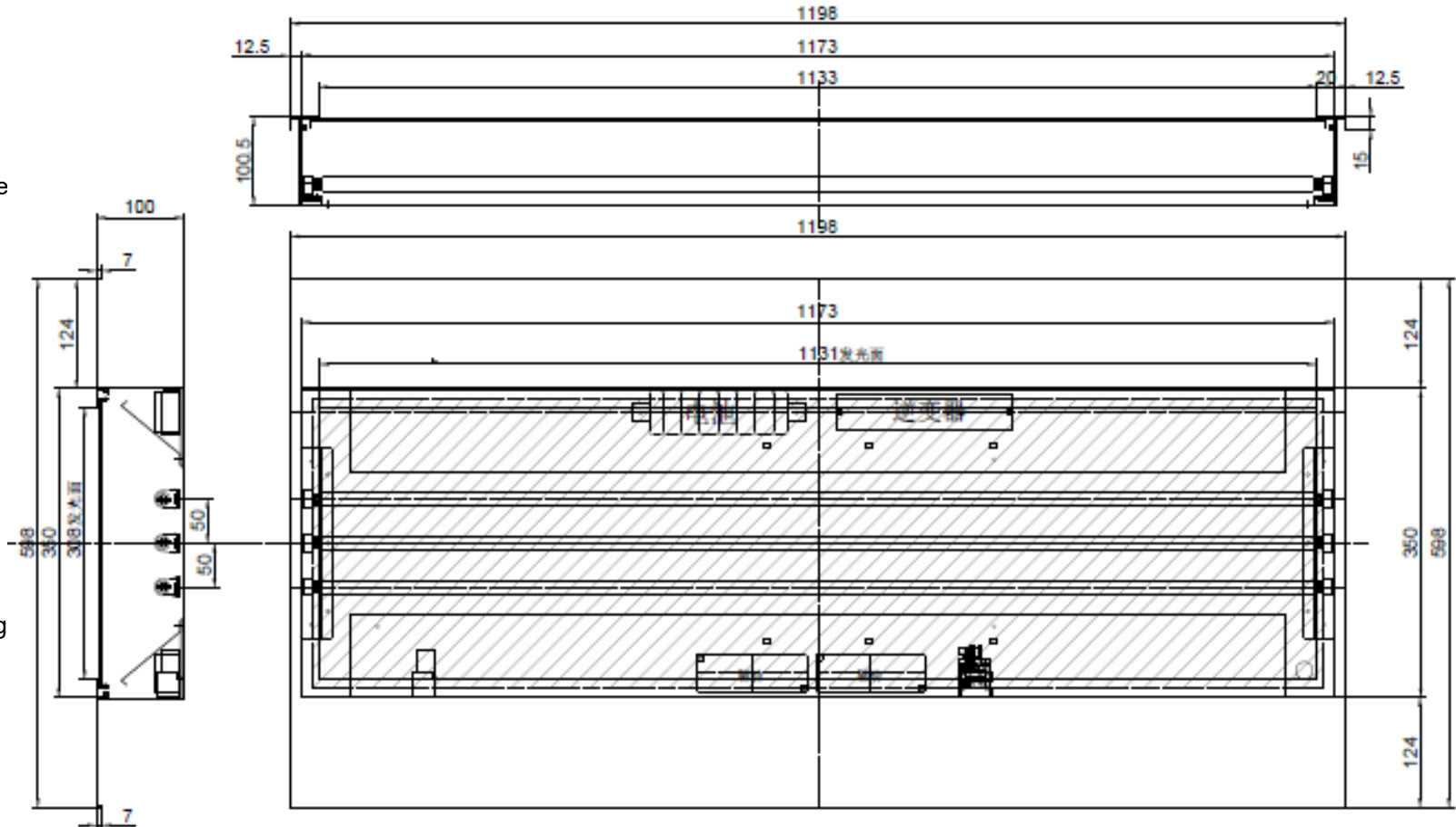
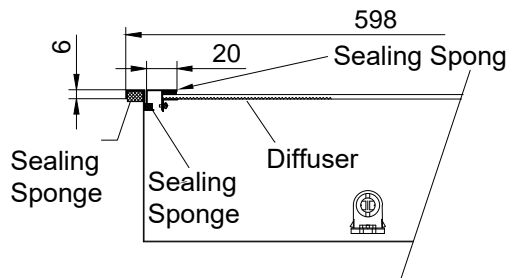
Optional Size: 600x 600x100mm Cut off :580x 580mm

Technical Drawing

IP54 Protectoin



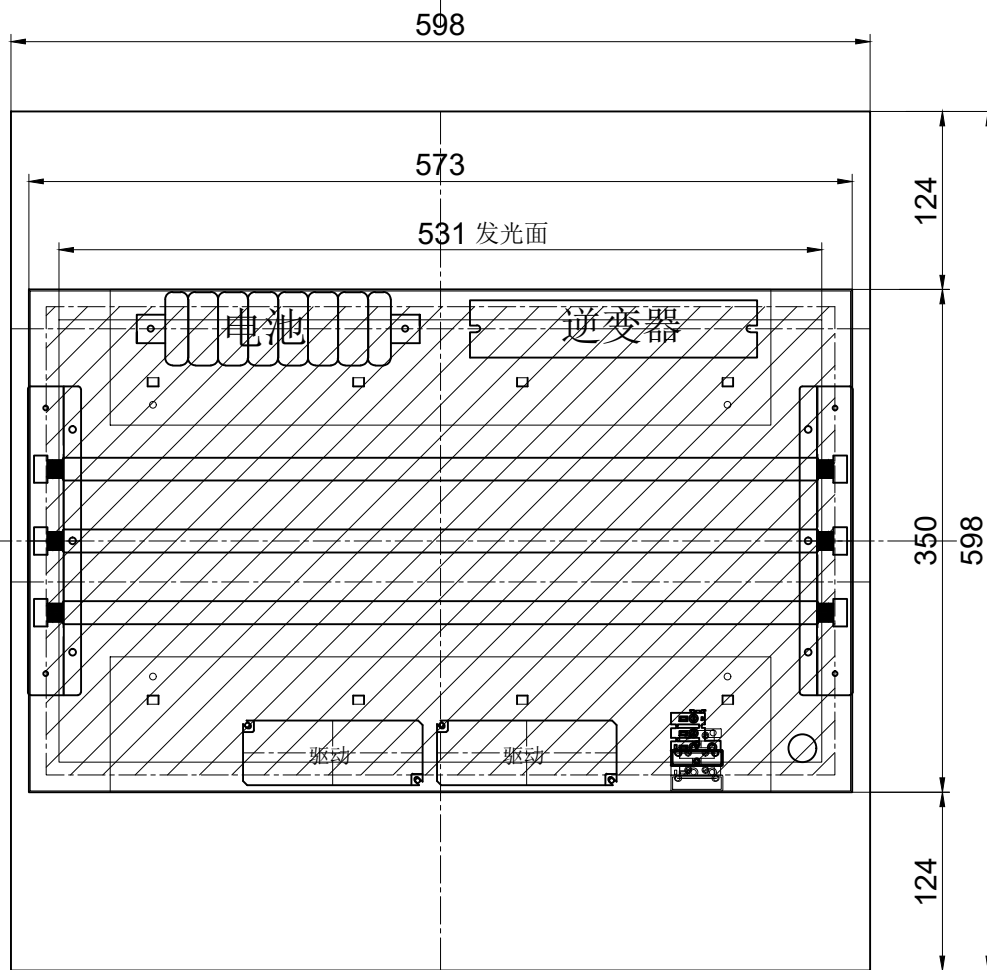
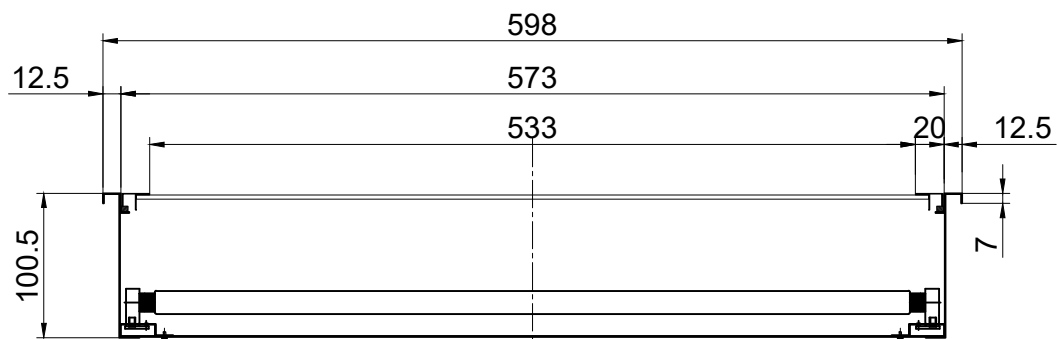
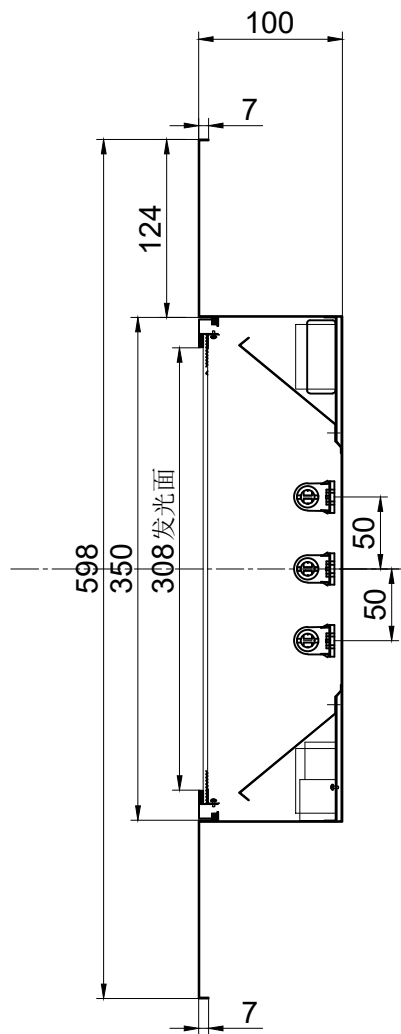
**Air-Tight Treatment for the clean room
ISO 14644-1 application**

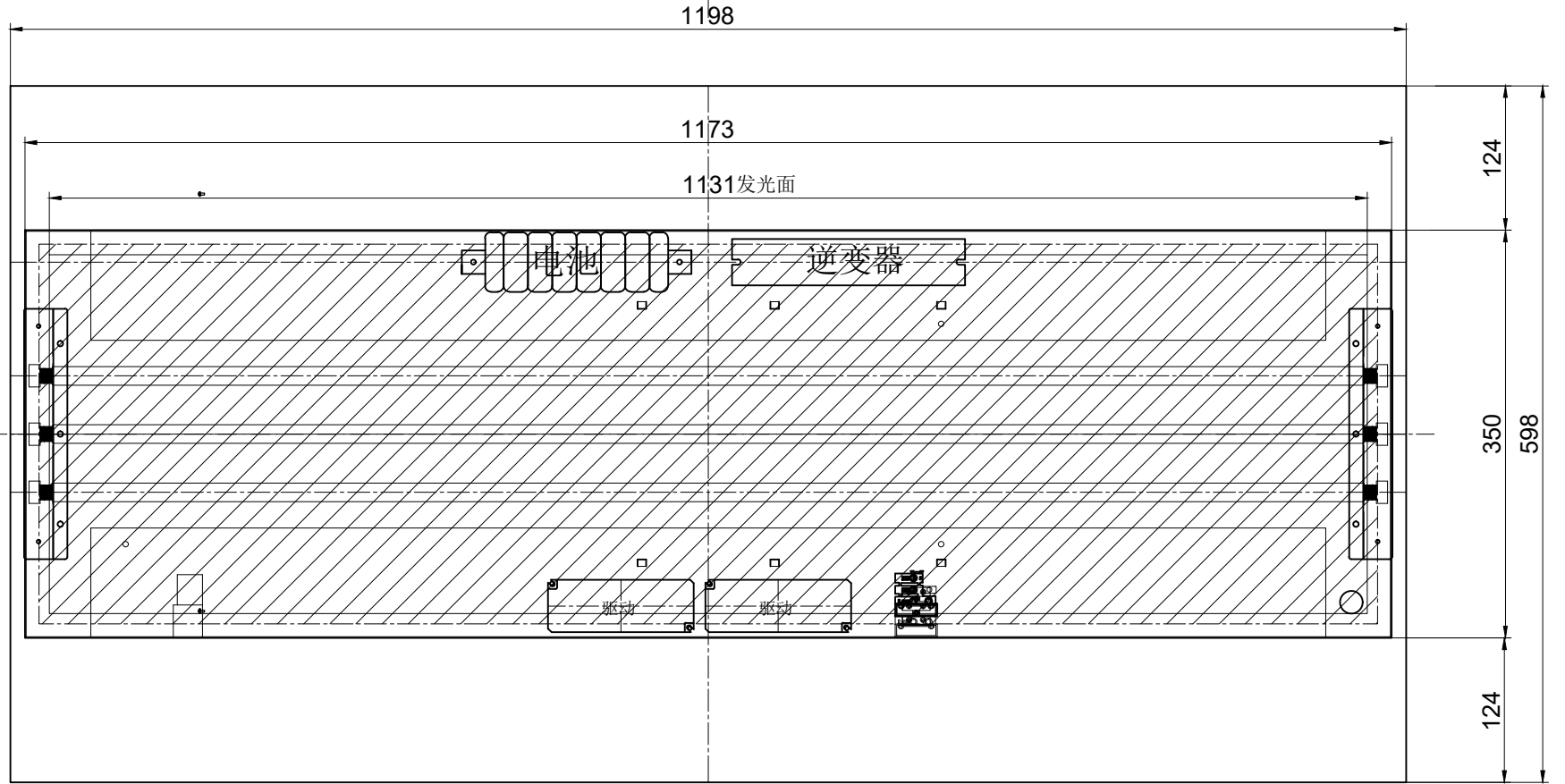
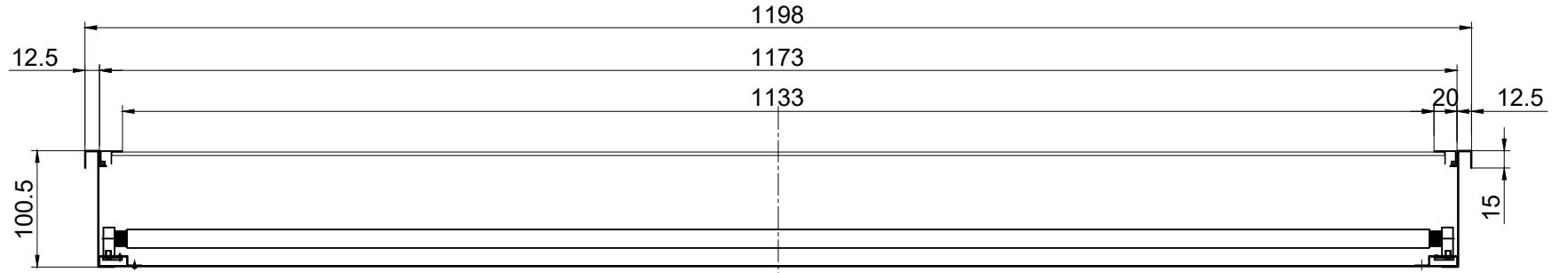
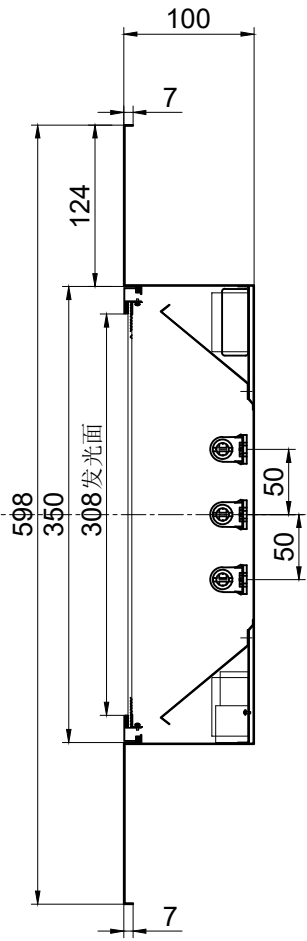


Cut-off: 580x580mm

Unit : mm

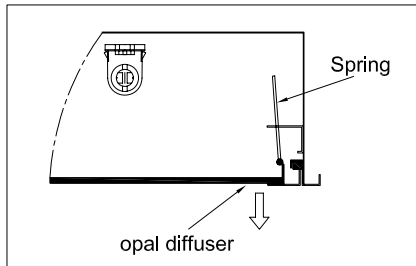
Optional Size: 600x 1200x100mm Cut off :580x 580mm



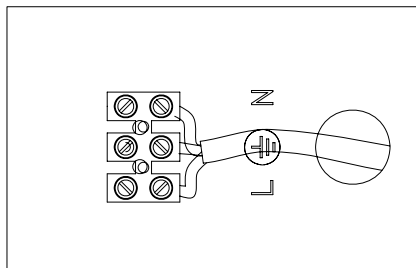


Installation Instruction

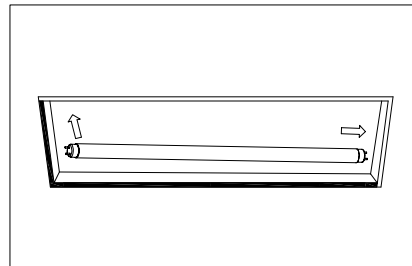
1. Loosen the lamp cover



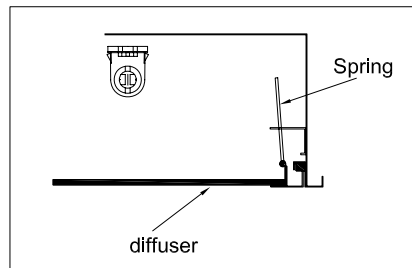
2. Power connection



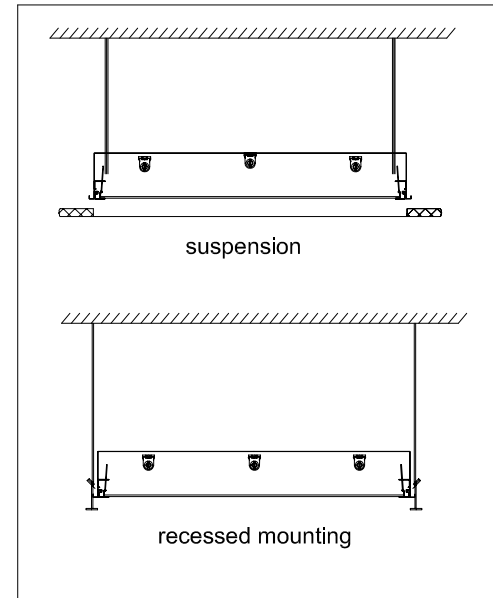
3. Putting tube into lampholder



4. Lamp cover fixing



5. Fixture installation



 CAUTION:

1. Use only bulbs comply with the specified voltage, frequency and wattage.
2. Always switch off before installing and switch on after installed properly.
3. Conform to the fire control clause when using this product.