

Single

Twin

DIMON
Technology

DIMON Technology Ltd.
Tel: 00852-3916 5876
Fax: 00852-21203398
Http://www.dimontechnology.com
E-mail: gary@dimontechnology.com

Job Title:

Drawing Name:

LONON-01

Drawing NO. : TD-240731-001

Drawing Scale: AS SHOW

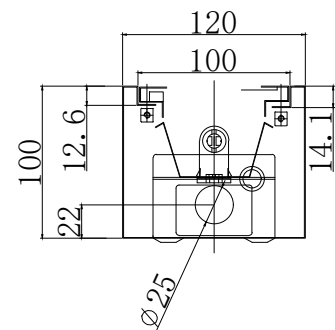
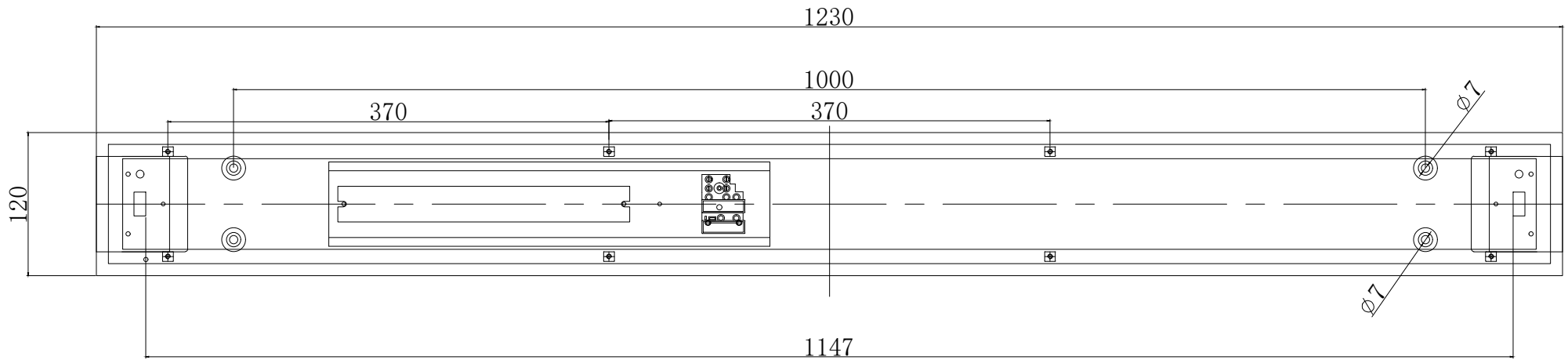
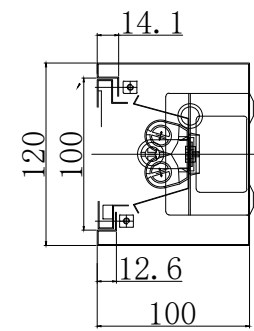
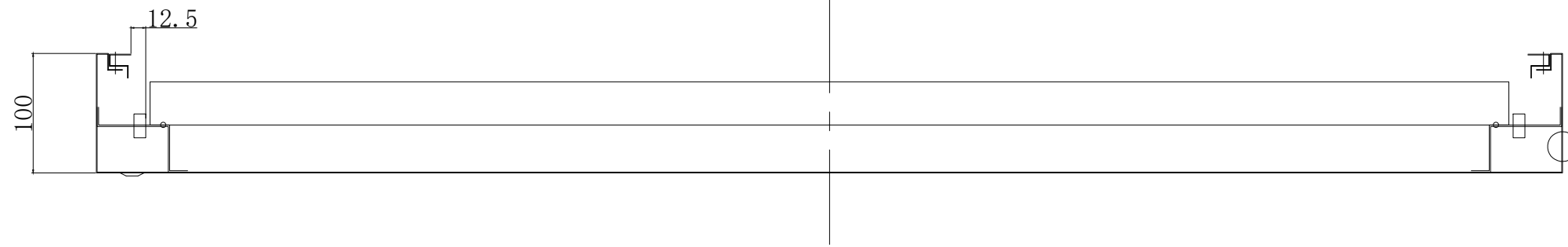
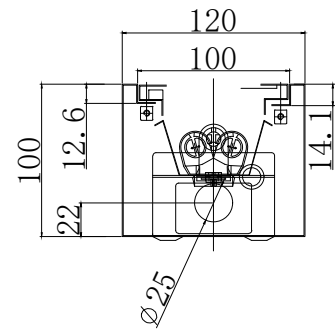
Drawing Date: 2024/07/30

Drawing: Joyi

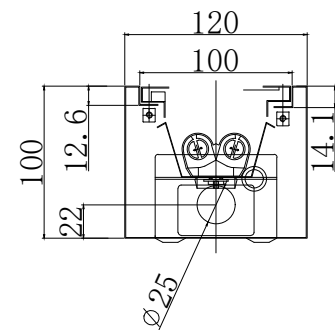
Collate: Alove

Auditing: Denny

Drawing Version: V2



Single



Twin

DIMON

Technology

DIMON Technology Ltd.
 Tel: 00852-3916 5876
 Fax: 00852-21203398
 Http://www.dimontechnology.com
 E-mail: gary@dimontechnology.com

Job Title:

Drawing Name:

LONON-02

Drawing NO.: TD-240731-002

Drawing Scale: AS SHOW

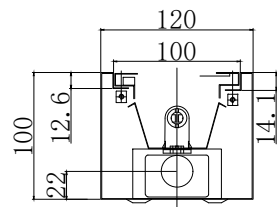
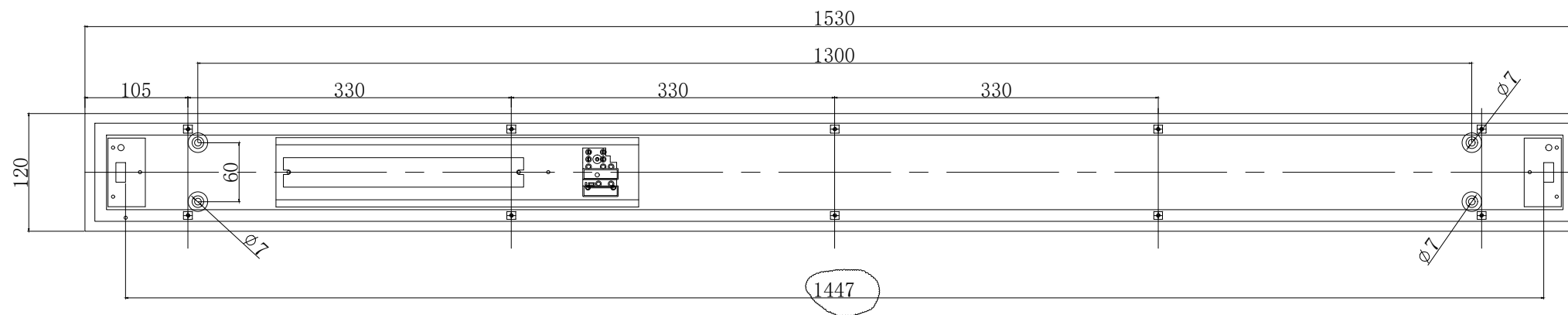
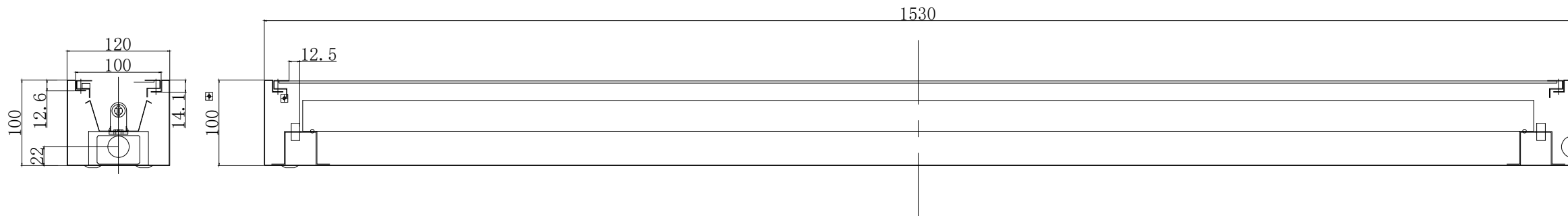
Drawing Date: 2024/07/30

Drawing: Joyi

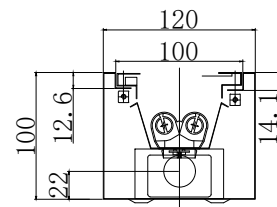
Collate: Alove

Auditing: Denny

Drawing Version: V2



Single



Twin

DIMON
Technology

DIMON Technology Ltd.

Tel: 00852-3916 5876
 Fax: 00852-21203398
 Http://www.dimontechnology.com
 E-mail: gary@dimontechnology.com

Job Title:

Drawing Name:

LONON-03

Drawing NO.: TD-240731-003

Drawing Scale: AS SHOW

Drawing Date: 2024/07/30

Drawing: Joyi

Collate: Alove

Auditing: Denny

Drawing Version: V2