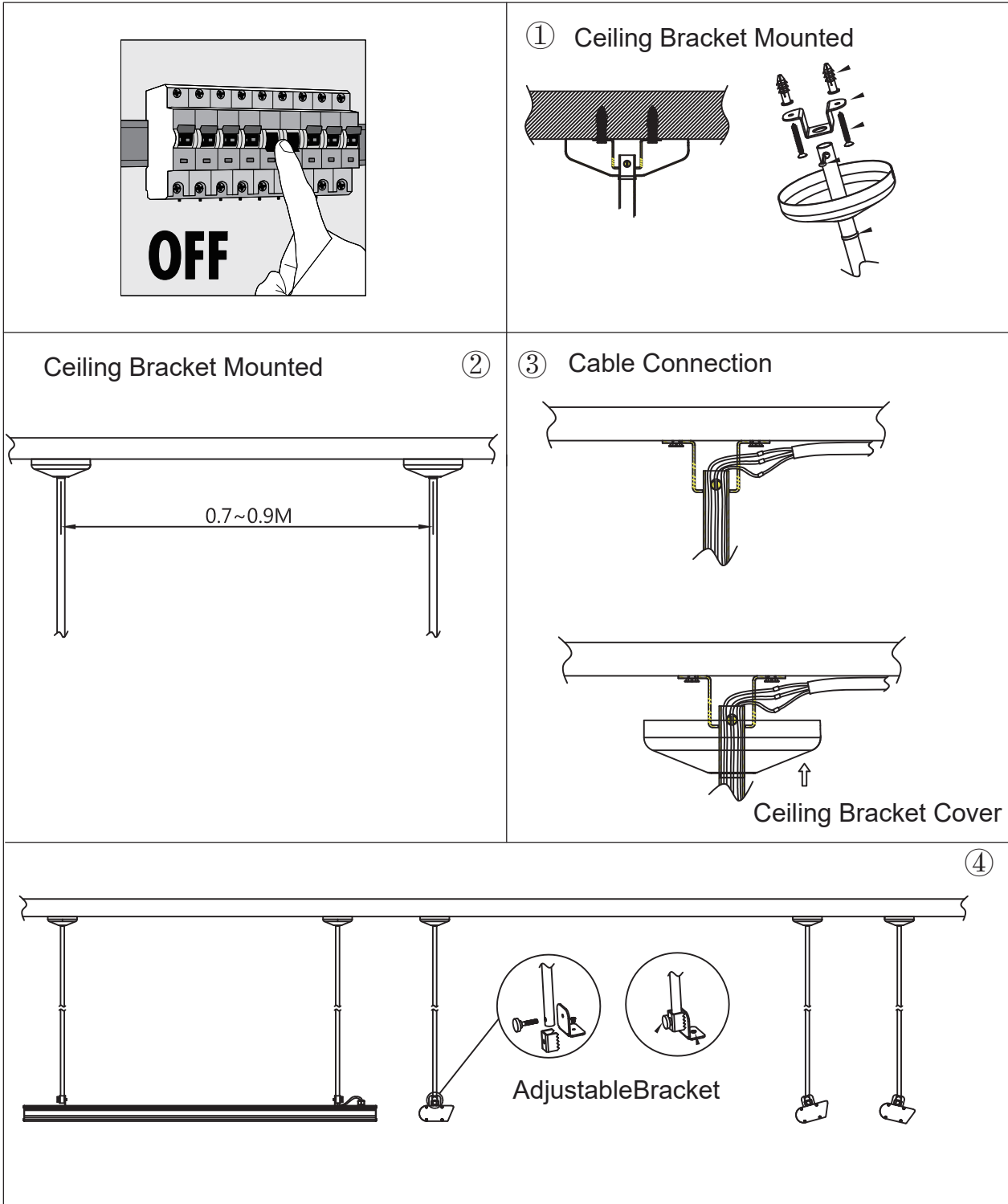


Fixture Type: LABITY SERIES



Remark: The fixture must be properly grounded to avoid accidental power leakage and electric shock.

The fixture must be installed by a qualified electrician. Before installing be sure to turn the power off.

*For more details, refer to the ALABITY data sheet.