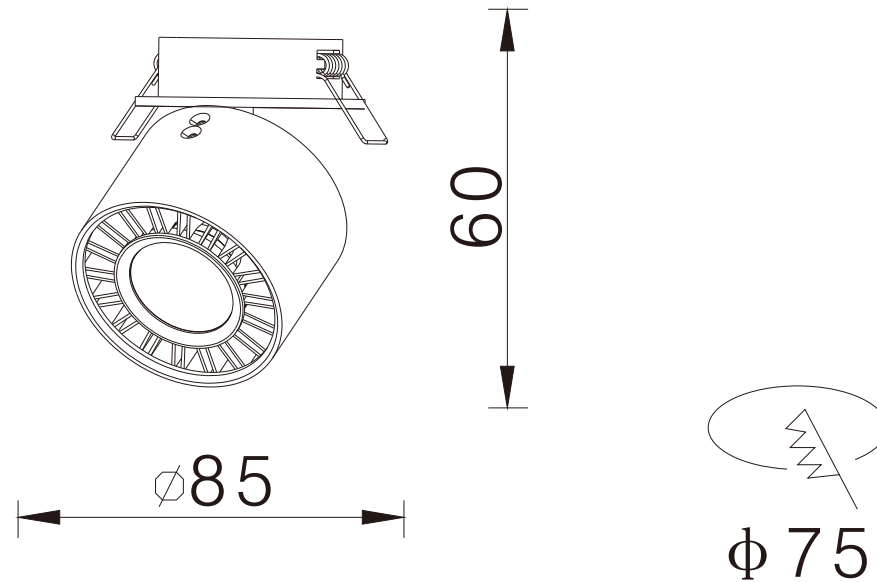


Technical Drawing
Recessed Down Light -DRA



Unit: mm