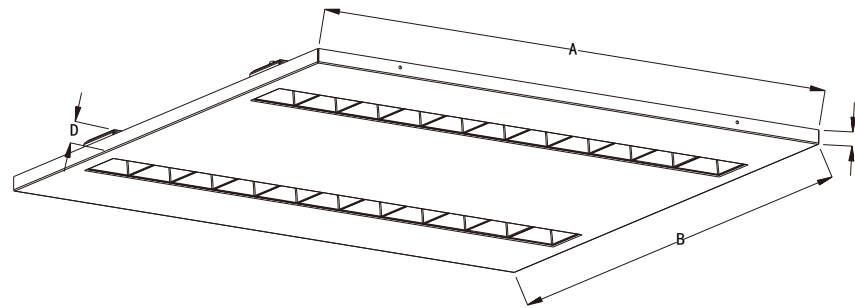


# Technical Drawing



## Measurement

Code	Dimension(mm)				Size(mm)	Product Weight (Kg)		Package weight (Kg)		Carton Size(cm)	Qty/CTN	20GP (pcs)	40HQ (pcs)
	A	B	C	D		N.W/PC	G.W/PC	N.W/CTN	G.W/CTN				
3060	595	295	11	31.5	595*295*31.5	1.47	1.71	7.4	9.3	69.5*24*35	5	2160	5355
6060	595	595	11	31.5	595*595*31.5	2.7	3.15	13.5	17.0	69.5*24*65	5	1200	3060
6262	620	620	11	31.5	620*620*31.5	2.9	3.36	14.5	18.2	72*24*67.5	5	1200	2670
30120	1195	295	11	31.5	1195*295*31.5	2.74	3.24	13.7	17.6	130*24*35	5	1170	2905
60120	1195	595	11	31.5	1195*595*31.5	5.28	6.15	10.56	13.7	130*10.5*65	2	564	1472

Unit: mm