

## BAWATY G3

Silm Version for LED T5 & T8









Well design for resistant Dust and Moisture resistance and waterproof.

Anti-UV Light Grey Glass fibre reinforced polyester (FRP) and high transmission Anti-UV Clear polycarbonate with refraction prisms diuser.

Silicone-sponge Gasket , stainless steel toggles and stainless-steel Quick fix bracket. Ingress-protected to a level of IP66.

Comply with Hot Wire Testing: 850°C and Electrical protection class I. Mech impact protection : IK10

## Technical Data

Luminaire Type- 安裝方式 Tipo de luminaria	Pendent mounted Type / Surface mounted Type / Wall Mounted Type 吊裝燈具 / 吸頂式燈具 / 壁掛式燈具 Pendent tipo / Surface mounted / Tipo montado en la pared		
Dimension-尺寸-Dimensión	Single Tube Batten LED T5 W:67 x H:76 x L:650 mm    W:67 x H:76 x L:1256mm    W:67 x H:76 x L:1556 mm Twin Tube Batten LED T5 W:105 x H:76 x L:650 mm    W:105x H:76 x L:1256mm    W:105 x H:76 x L:1556 mm		
Input Voltage-輸入電壓-Voltaje de entrada	AC220 -240V 50/60HZ		
Power Consumption Max-燈具功率 Consumo de energía Max	Single Tube Batten LED T5 or LED T8 2feet : 7W - 1 pcs x 7W LED T5 or LED T8    8W - 1 pcs x 8W LED T5 or LED T8 2feet : 9W - 1 pcs x 9W LED T5 or LED T8    10W - 1 pcs x 10W LED T5 or LED T8 4feet : 12W - 1 pcs x 12W LED T5 or LED T8    14W - 1 pcs x 14W LED T5 or LED T8 4feet : 16W - 1 pcs x 16W LED T5 or LED T8    18W - 1 pcs x 18W LED T5 or LED T8 4feet : 20W - 1 pcs x 20W LED T5 or LED T8 5feet : 22W - 1 pcs x 22W LED T5 or LED T8    25W - 1 pcs x 25W LED T5 or LED T8 5feet : 28W - 1 pcs x 28W LED T5 or LED T8    30W - 1 pcs x 30W LED T5 or LED T8  Twin Tube Batten LED T5 or LED T8 2feet : 14W - 2 pcs x 7W LED T5 or LED T8    16W - 2 pcs x 8W LED T5 or LED T8 2feet : 18W - 2 pcs x 9W LED T5 or LED T8    20W - 2 pcs x 10W LED T5 or LED T8 4feet : 24W - 2 pcs x 12W LED T5 or LED T8    28W - 2 pcs x 14W LED T5 or LED T8 4feet : 32W - 2 pcs x 16W LED T5 or LED T8    36W - 2 pcs x 18W LED T5 or LED T8 4feet : 40W - 2 pcs x 20W LED T5 or LED T8 5feet : 44W - 2 pcs x 22W LED T5 or LED T8    50W - 2 pcs x 25W LED T5 or LED T8 5feet : 56W - 2 pcs x 28W LED T5 or LED T8    60W - 2 pcs x 30W LED T5 or LED T8		
LED Driver Type LED驅動款式 Tipo de controlador LED	Integrated-type LED Driver--Refer to LED driver specification 請參閱LED驅動器規格 Consulte la especificación de controlador de LED 1. ON/OFF Switch AC220-240V 50/60HZ 2. 1-10V Dimming Driver AC220-240V 50/60HZ for DC LED Tube 3. DALI Dimming Driver AC220-240V 50/60HZ for DC LED Tube 4. Emergency Backup >2 hours or >3 hours @ < 12 charger hours 應急電池/Copia de seguridad de emergencia 5. 9. Microwave Sensor		
Control Protocol-控制協議 Protocolo de Control	1-10V / DALI		
Beam Angle 光束角 ángulo de haz	Refer to LED T5/ LED T8 tube data sheet		
Photobiological safety-IEC 62471 / of Luminaire 光生物安全檢驗(IEC/EN 62471) 結果: Seguridad fotobiológica-IEC 62471	Low Risk Group 1 (RG1) Refer to LED T5 Specification 低風險組1 (RG1) 參閱LED T5規格 Grupo de bajo riesgo 1 (RG1) Consulte la especificación LED T5		
Housing materials-外殼材料 Materiales de la carcasa	Anti-UV Glass fibre reinforced polyester (FRP) and Anti-UV Polycarbonate Linear-Prisms diffuser , Silicone-sponge Gasket , stainless steel toggles and Stainless-steel Quick fix bracket. 抗紫外線玻璃纖維增強聚酯FRO, 和抗紫外線PC棱鏡擴散罩, 矽膠墊片, 不銹鋼扣和不銹鋼快速固定支架。 Poliéster reforzado con fibra de vidrio (FRP) anti-UV y difusor de prismas lineales de policarbonato anti-UV, Junta de esponja de silicona, palancas de acero inoxidable y soporte de fijación rápida de acero inoxidable.		
Housing Color 外殼顏色 color de la carcasa	LightGrey body and Clear Polycarbonate Linear-Prisms diffuser , 灰色燈身和透明棱鏡擴散罩 Cuerpo gris y difusor de prisma lineal de policarbonato transparente,		
Operating Temperature Range / 工作溫度範圍 Rango de temperatura de funcion amiento	-30 °C / +50 °C		
Operating Humidity -工作濕度 Humedad de funcionamiento	0~100%, non-condensing-不結霜 sin condensación		
Ingress Protection-防護等級 Protección de ingreso	IP66 (IEC 60529: 2013)		
Mech impact protection 機械衝擊保護 Protección contra impactos mecánicos	IK10 (IEC 62262:2002)		
Comply Testing Standard 符合測試標準 Cumplir el estándar de prueba	LED Luminaires: IEC/ EN 60598-1 / EN 60598-2-1 / EN 62031 / EN 62493 / IEC/EN 62471 / IEC 60598-2-22 / IEC 62031 / EN 55015 / EN 61000-3-2 / EN 61000-3-3 / EN 61547 / IEC 62262 / IEC 60529 / IEC TR62778 Luminaries Performance : IEC 62722-1 / IEC 62722-2-1 FSD regulation PPA 104A (4th Rev). RoHS		
Certification-認證-Certificación	     		

Project	Fixture#	Date
		Firm

## Ordering Information

Choose the option that suits your need and write its corresponding code on the appropriate line to form the product code.

Example product code: [BAWATY -18W-SW](#)

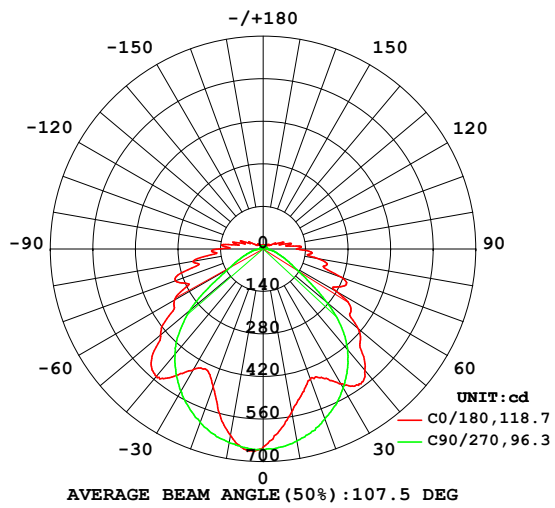
BAWATY      -      -  
POWER      CONTROL TYPE

POWER		CONTROL TYPE	
Code	Description	Code	Description
7W	1 pcs x 2feet 7W LED T5 or LED T8	DA	DALI Dimming
8W	1 pcs x 2feet 8W LED T5 or LED T8	EM	Emergency Battery
9W	1 pcs x 2feet 9W LED T5 or LED T8	SW	ON/OFF Switch
10W	1 pcs x 2feet 10W LED T5 or LED T8	AN	1-10V Dimming
14W	1 pcs x 4feet 14W LED T5 or LED T8		
14W	1 pcs x 4feet 14W LED T5 or LED T8		
16W	1 pcs x 4feet 16W LED T5 or LED T8		
18W	1 pcs x 4feet 18W LED T5 or LED T8		
20W	1 pcs x 4feet 20W LED T5 or LED T8		
22W	1 pcs x 5feet 22W LED T5 or LED T8		
25W	1 pcs x 5feet 25W LED T5 or LED T8		
28W	1 pcs x 5feet 28W LED T5 or LED T8		
30W	1 pcs x 5feet 30W LED T5 or LED T8		
14W	2 pcs x 2feet 7W LED T5 or LED T8		
16W	2 pcs x 2feet 8W LED T5 or LED T8		
18W	2 pcs x 2feet 9W LED T5 or LED T8		
20W	2 pcs x 2feet 10W LED T5 or LED T8		
24W	2 pcs x 4feet 12W LED T5 or LED T8		
28W	2 pcs x 4feet 14W LED T5 or LED T8		
32W	2 pcs x 4feet 16W LED T5 or LED T8		
36W	2 pcs x 4feet 18W LED T5 or LED T8		
40W	2 pcs x 4feet 20W LED T5 or LED T8		
44W	2 pcs x 5feet 22W LED T5 or LED T8		
50W	2 pcs x 5feet 25W LED T5 or LED T8		
56W	2 pcs x 5feet 28W LED T5 or LED T8		
60W	2 pcs x 5feet 30W LED T5 or LED T8		

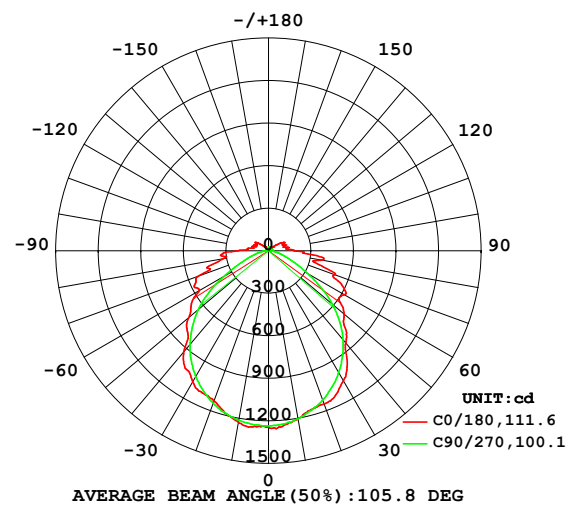


# Beam Angle

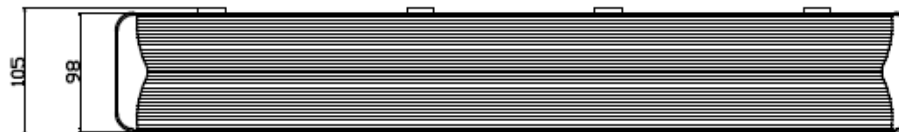
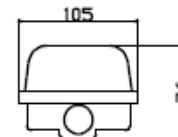
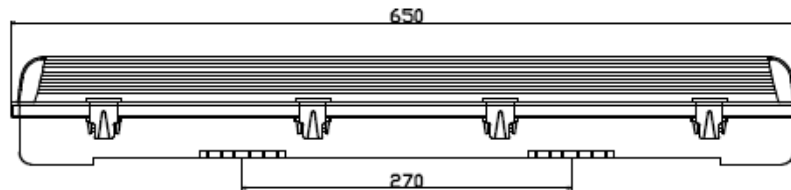
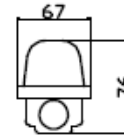
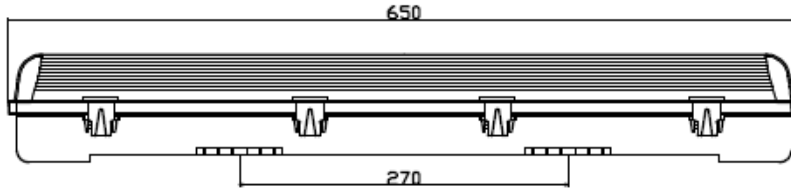
## 1\*18W



## 2\*18W

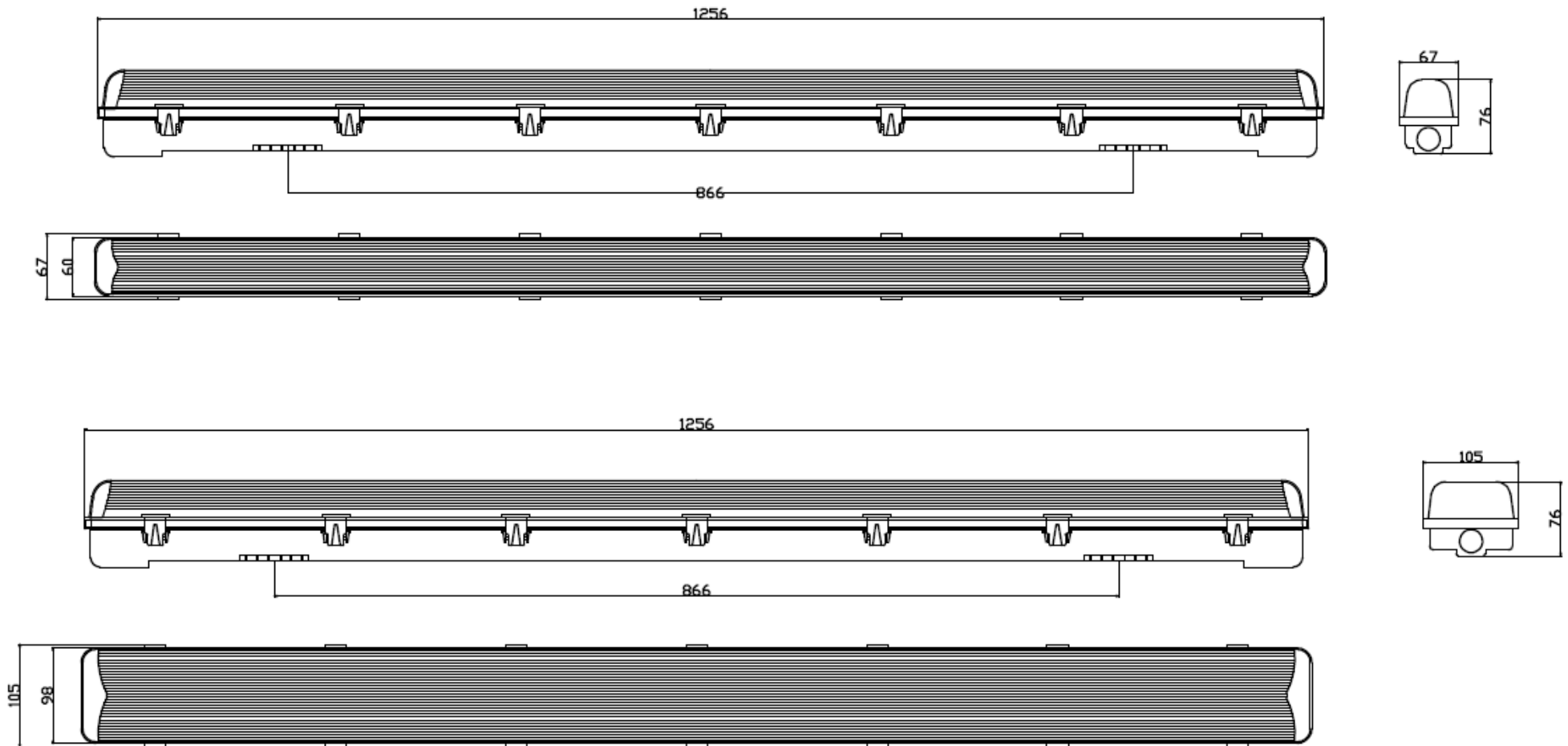


# Technical Drawing



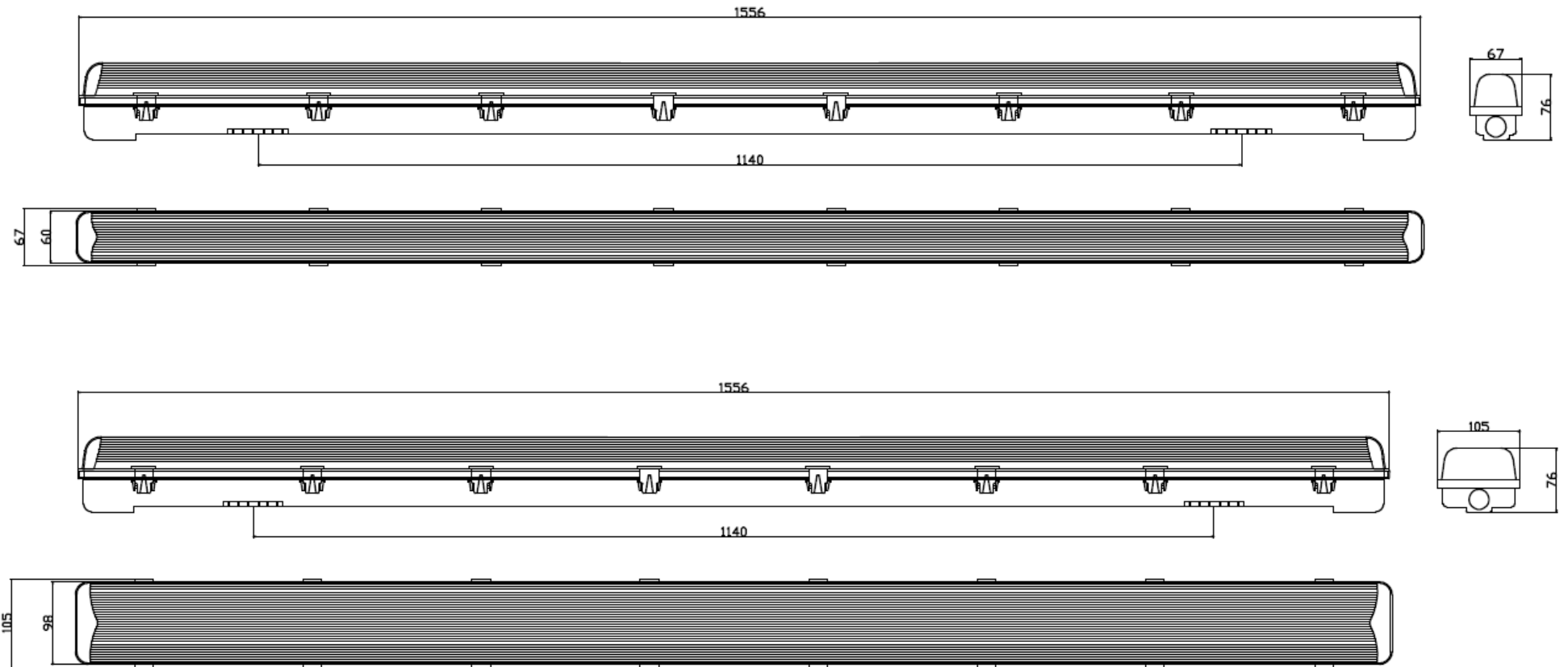
Unit :mm

# Technical Drawing



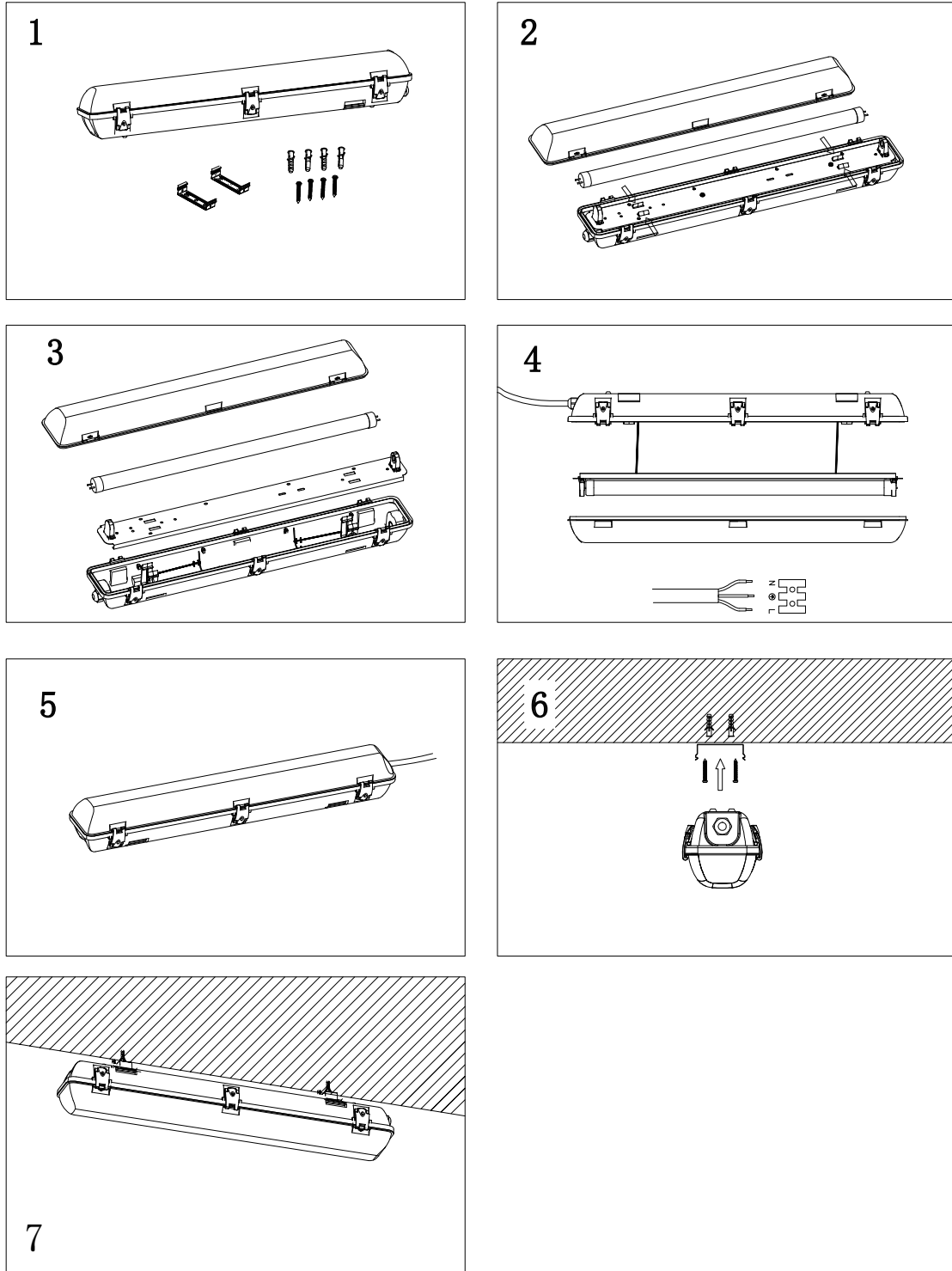
Unit :mm

# Technical Drawing



Unit :mm

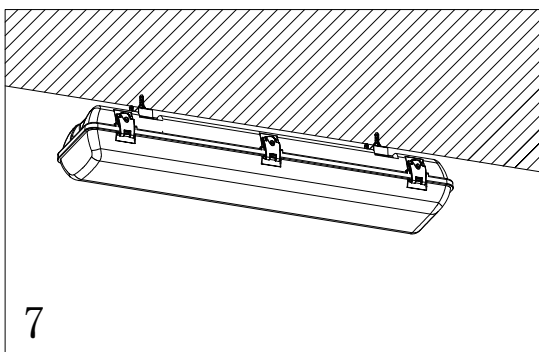
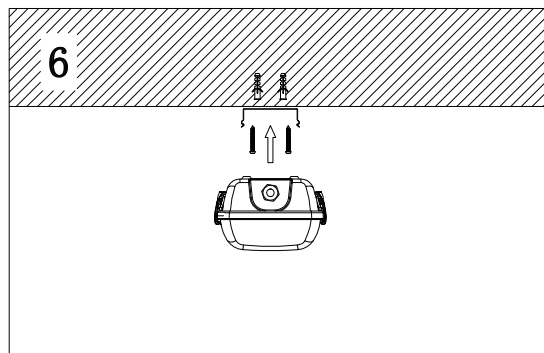
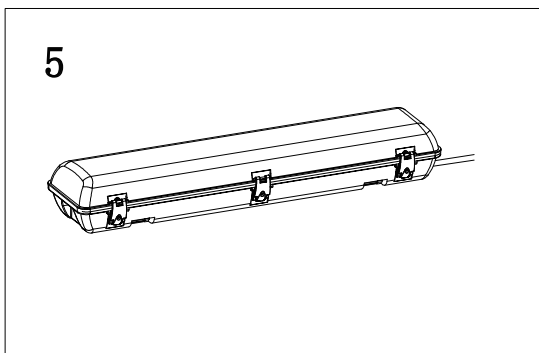
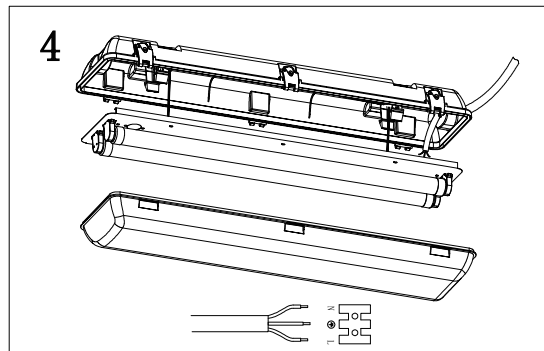
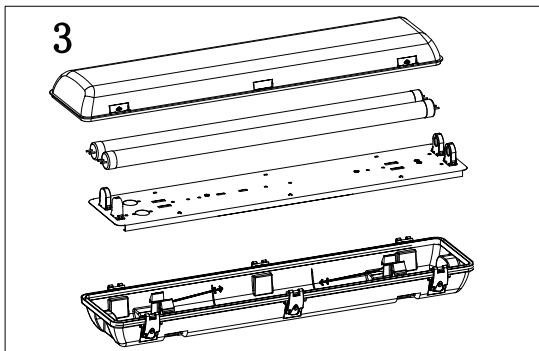
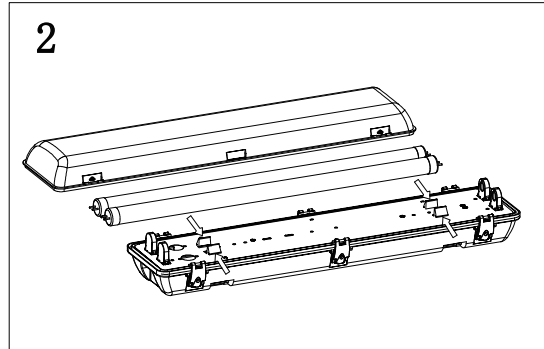
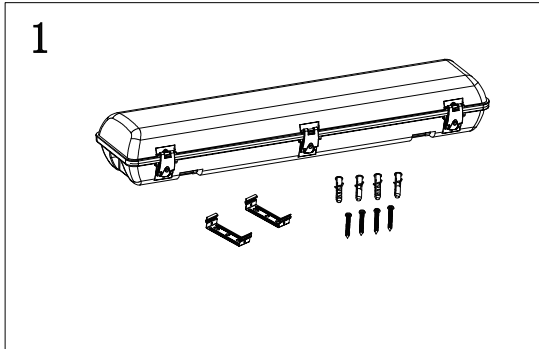
### Fixture Type: LED Waterproof Single Batten



\*For more details, refer to data sheet.



Fixture Type: LED Waterproof Twin Batten



\*For more details, refer to data sheet.