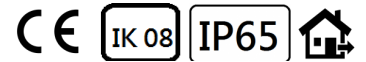


## BOUK-L

Dia160mm Max 30W



### DISTRIBUTION



- Main body is made of Die-casting aluminum alloy with Extruded aluminum alloy.
- The diffuser is a opal or frosted anti-UV polycarbonate for high efficiency and vandal resistance.
- Easy access to LED and driver via a removable head.
- Anti-UV electrostatic powder spraying, regular color: Black, Silver
- IP65 rating water and rust proof protection.

# BOUK-L

Dia160mm Max 30W

**DIMON**  
TECHNOLOGY

## Technical Data

Installation method / 安裝方式 / Metodo de instalacion	Surface Mounted Type / 明裝式燈具 / Superficie Tipo Montado		
Dimension / 尺寸 / Dimensión	Dia 160 x H 400 mm Dia 160 x H 950 mm	Dia 160 x H 600 mm Dia 160 x H 1000 mm	Dia 160 x H 800 mm Dia 160 x H 1200 mm
Power Consumption Max / 燈具功率 Consumo de energía Max	10W 20W	12W 25W	18W 30W
Input Voltage / 輸入電壓 / Voltaje de entrada	AC 220-240V 50/60Hz		
LED Driver Type LED驅動款式 Tipo de controlador LED	Integrated-type LED Driver--Refer to LED driver specification 請參閱LED驅動器規格 Consulte la especificación de controlador de LED 1. ON/OFF Switch AC220-240V 50/60HZ 2. 0/1-10V Dimming Driver AC220-240V 50/60HZ 3. DALI Dimming Driver AC220-240V 50/60HZ		
LED Driver Features / 驅動特性 Funciones del controlador de LED	Power Factor>0.9 Total Harmonic Distortion THD< 20%		
Control Protocol / 控制協議 Protocolo de Control	0/1-10V / DALI / DMX 512 / RDM ZIGBEE Wireless Control		
Beam Angle / 光束角 / ángulo de haz	180° / 360°		
Light Source Brand / 光源品牌 / Fuente de luz de marca	CREE / Osram / Lumileds		
"Lumen Maintenance LM-80 Reported by TM-21"	L70 > 54,000 hrs		
LED Life-LED壽命-La vida del LED	>100,000 hours		
Color Temperature -色溫 Temperatura del color	2700K / 3000K / 4000K / 5000K / 6500K		
Color Rendering Index-顯色指數 Índice de reproducción cromática	>80 >90		
MacAdam Ellipses Binning 麥克亞當橢圓分級 Mac Adam binning elipse	Standard Deviation Colour Matching < 3 SDCM 標準偏差配色< 3 SDCM Coincidencia de color estándar Desviación < 3 SDCM		
Luminaire Efficacy 燈具效率 La eficacia de la luminaria	33 Lm/w(2700K), 38 Lm/w(3000K), 40 Lm/w(4000K), 45 Lm/w(5000K), 45 Lm/w(6500K),		
LED Source Luminous Efficacy / LED光源光效 Fuente luminosa LED Eficacia	130Lm/w(2700K), 140 Lm/w(3000K), 140Lm/w(4000K), 150 Lm/w(5000K), 150 Lm/w(6500K),		
Housing materials / 外殼材料 Materiales de la carcasa	Aluminum alloy, PC cover and stainless steel screws 鋁合金, PC蓋和不銹鋼螺絲 Aleación de aluminio, cubierta de PC y tornillos de acero inoxidable.		
Housing Color / 外殼顏色 color de la carcasa	RAL 9005 Jet black / RAL 9006 White aluminium / RAL 7043 Traffic grey B RAL 9005 黑色 / RAL 9006 鋁色 / RAL 7043 灰 RAL 9005 Negro azabache / RAL 9006 Aluminio blanco / RAL 7043 Gris tráfico B		
Ingress Protection / 防護等級 Protección de ingreso	IP65		
Operating Temperature Range / 工作溫度範圍 Rango de temperatura de funcionamiento	-20 °C / +50 °C		
Operating Humidity / 工作濕度 Humedad de funcionamiento	0~90%, non-condensing / 不結霜 sin condensación		
Mech impact protection / 機械衝擊保護 Protección contra impactos mecánico	IK08		
Comply Testing Standard 符合測試標準 Cumplir el estándar de prueba	LED Luminaries: IEC/EN 60598-1 ; IEC/EN 60598-2-3; IEC TR 62778; IEC 62031 LED Driver: IEC 61347-1; IEC 61347-2-13; EN 55015; IEC 61000-3-2; IEC 61000-3-3; IEC 61547; EN 62384		

Certification-認證-Certificación



Project	Fixture#	Date
		Firm



## Ordering Information

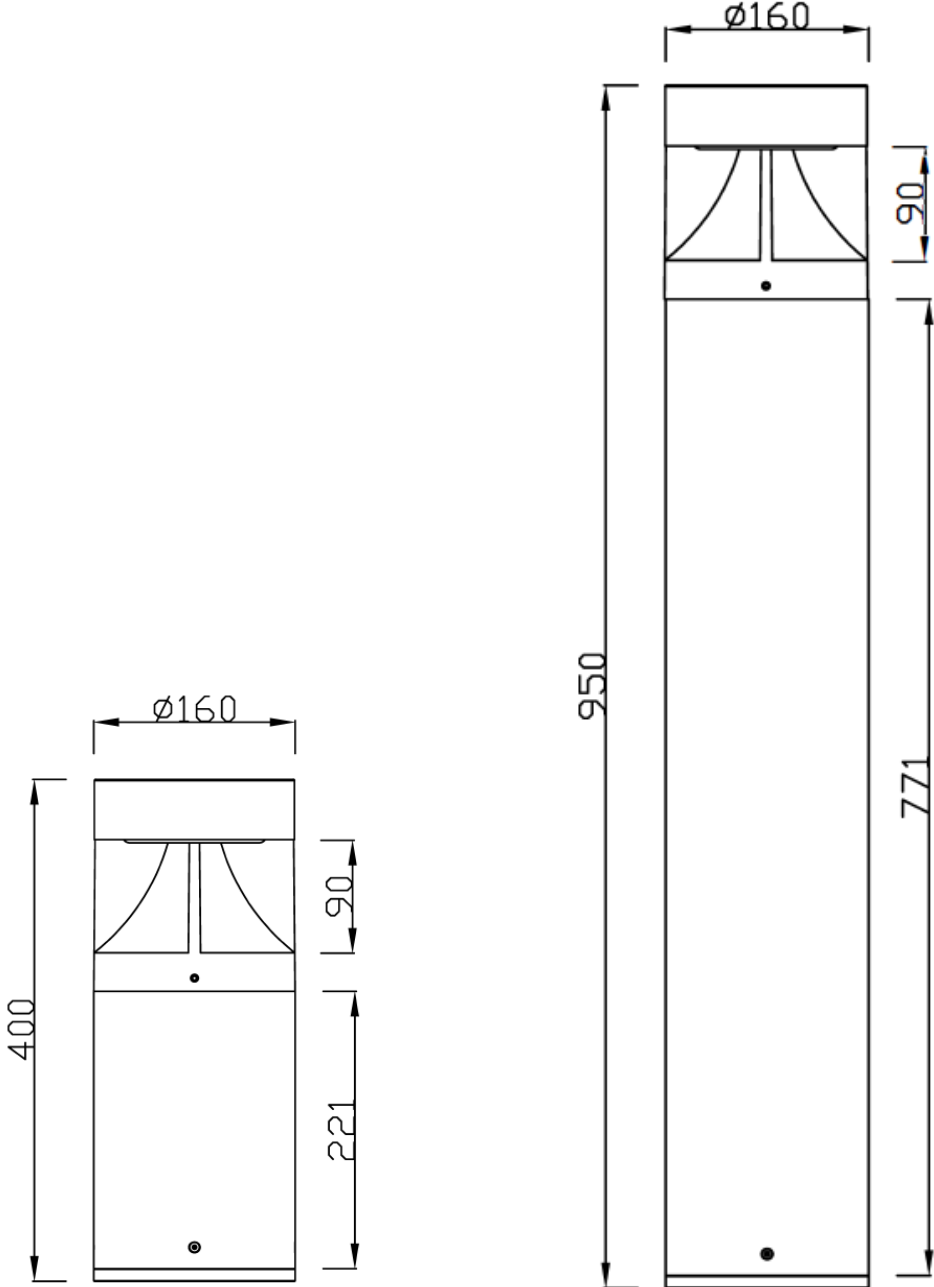
Choose the option that suits your need and write its corresponding code on the appropriate line to form the product code.

Example product code: [BOUK-L-20W](#)

BOUK-L - - \_\_\_\_\_  
Power Consumption

Power Consumption	
Code	Description
<a href="#">10W</a>	10W
<a href="#">12W</a>	12W
<a href="#">18W</a>	18W
<a href="#">20W</a>	20W
<a href="#">25W</a>	25W
<a href="#">30W</a>	30W

Technical Drawing



Unit: mm