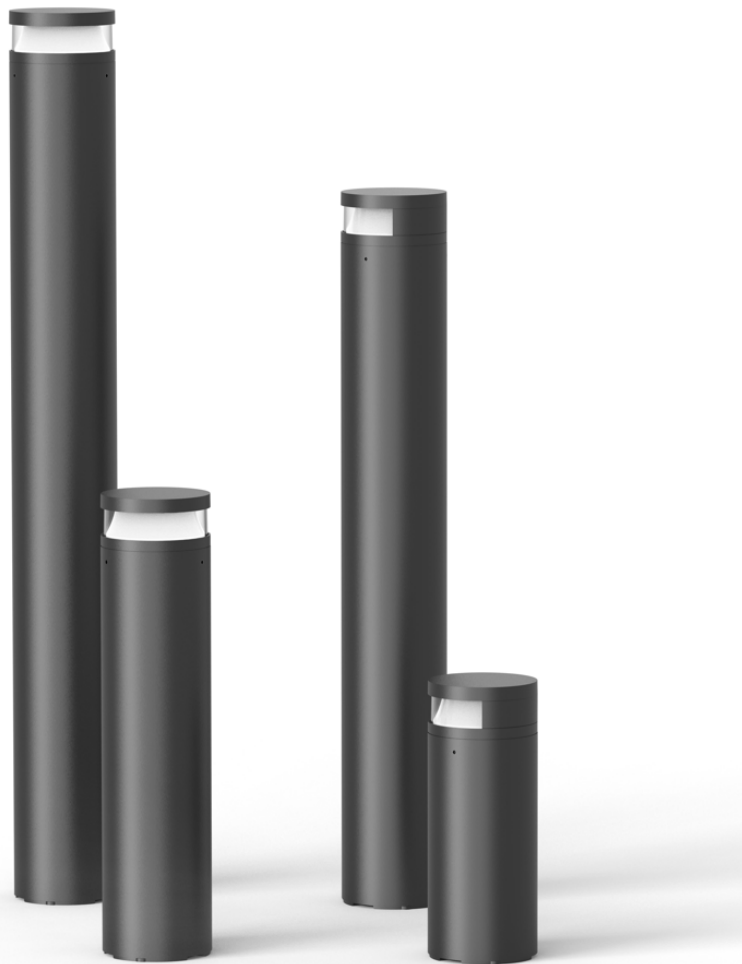







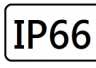

BOUK-S

Dia118mm & Dia 196mm Bollard Light



- With 180° or 360° light distribution.
- Aluminum die casting cover, extruded aluminum body, it can be cut different height.
- High transparent PC diffuser, it can effectively prevent yellowing and aging.
- Indirect light luminaire for use with led, which has high visual comfortable.
- Surface anti-ultraviolet pure polyester powder painting.
- Integrated package, convenient transportation.

Technical Data

Installation method / 安裝方式 / Metodo de instalacion	Surface Mounted Type / 明裝式燈具 / Superficie Tipo Montado
Dimension / 尺寸 / Dimensión	Dia 118 x H 400mm Dia 118 x H 500mm Dia 118 x H 800mm Dia 118 x H 950mm Dia 196 x H 400mm Dia 196 x H 500mm Dia 196 x H 800mm Dia 196 x H 950mm
Power Consumption Max / 燈具功率 Consumo de energía Max	9W 15W (180°) 12W 25W (360°)
Input Voltage / 輸入電壓 / Voltaje de entrada	AC 220-240V 50/60Hz
LED Driver Type / LED驅動款式 Tipo de controlador LED	Integrated-type LED Driver--Refer to LED driver specification 請參閱LED驅動器規格 Consulte la especificación de controlador de LED 1. ON/OFF Switch AC220-240V 50/60HZ 2. 0/1-10V Dimming Driver AC220-240V 50/60HZ 3. DALI Dimming Driver AC220-240V 50/60HZ
LED Driver Features / 驅動特性 Funciones del controlador de LED	Power Factor>0.9 Total Harmonic Distortion THD< 20%
Control Protocol / 控制協議 Protocolo de Control	0/1-10V / DALI
Beam Angle / 光束角 / ángulo de haz	180° 360°
Light Source Brand / 光源品牌 / Fuente de luz de marca	CREE / Osram / Lumileds
"Lumen Maintenance LM-80 Reported by TM-21"	L70 > 54,000 hrs
LED Life-LED壽命 / La vida del LED	>100,000 hours
Color Temperature / 色溫 Temperatura del color	2700K / 3000K / 4000K / 5000K / 6500K
Color Rendering Index / 顯色指數 Índice de reproducción cromática	>80 >90
MacAdam Ellipses Binning 麥克亞當橢圓分級 Mac Adam binning elipse	Standard Deviation Colour Matching < 3 SDCM 標準偏差配色< 3 SDCM Coincidencia de color estándar Desviación < 3 SDCM
Luminaire Efficacy / 燈具效率 La eficacia de la luminaria	50 Lm/w(2700K), 60 Lm/w(3000K), 60 Lm/w(4000K), 70 Lm/w(5000K), 70 Lm/w(6500K),
LED Source Luminous Efficacy / LED光源光效 Fuente luminosa LED Eficacia	130Lm/w(2700K), 140 Lm/w(3000K), 140Lm/w(4000K), 150 Lm/w(5000K), 150 Lm/w(6500K),
Housing materials / 外殼材料 Materiales de la carcasa	Aluminum alloy, PC cover and stainless steel screws 鋁合金, PC蓋和不銹鋼螺絲 Aleación de aluminio, cubierta de PC y tornillos de acero inoxidable.
Housing Color / 外殼顏色 color de la carcasa	RAL 9005 Jet black / RAL 9003 Signal White RAL 9005 黑色 / RAL 9003 白 RAL 9005 Negro azabache / RAL 9003 Señal blanca
Ingress Protection / 防護等級 Protección de ingreso	IP65
Operating Temperature Range / 工作溫度範圍 Rango de temperatura de funcion amiento	-20 °C / +50 °C
Operating Humidity / 工作濕度 Humedad de funcionamiento	0~90%, non-condensing / 不結霜 sin condensación
Mech impact protection / 機械衝擊保護 Protección contra impactos mecánico	IK08
Comply Testing Standard 符合測試標準 Cumplir el estándar de prueba	LED Luminaries: IEC/EN 60598-1 ; IEC/EN 60598-2-3; IEC TR 62778; IEC 62031 LED Driver: IEC 61347-1; IEC 61347-2-13; EN 55015; IEC 61000-3-2; IEC 61000-3-3; IEC 61547; EN 62384
Certification-認證-Certificación	    

Project	Fixture#	Date
		Firm

Ordering Information

Choose the option that suits your need and write its corresponding code on the appropriate line to form the product code.

Example product code: [BOUK-S-12W](#)

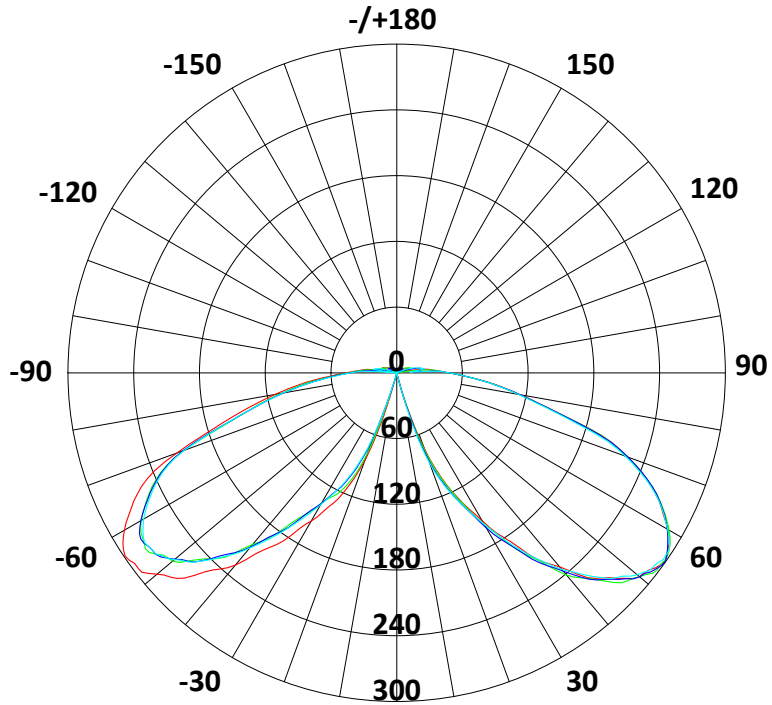
BOUK-S – _____
Power Consumption

Power Consumption	
Code	Description
9W	9W (180°)
12W	12W (360°)
15W	15W (180°)
25W	25W (360°)

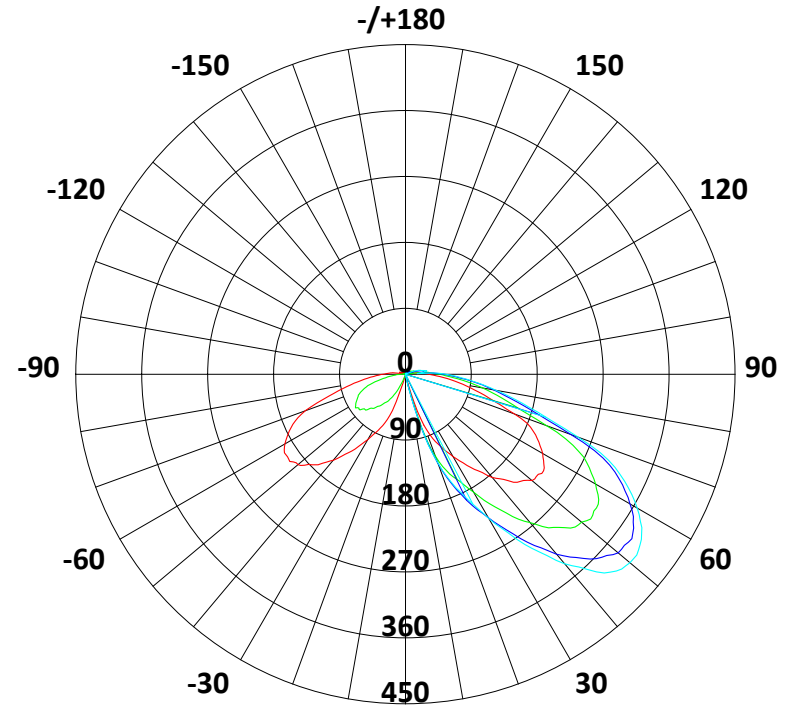


BEAM ANGLE

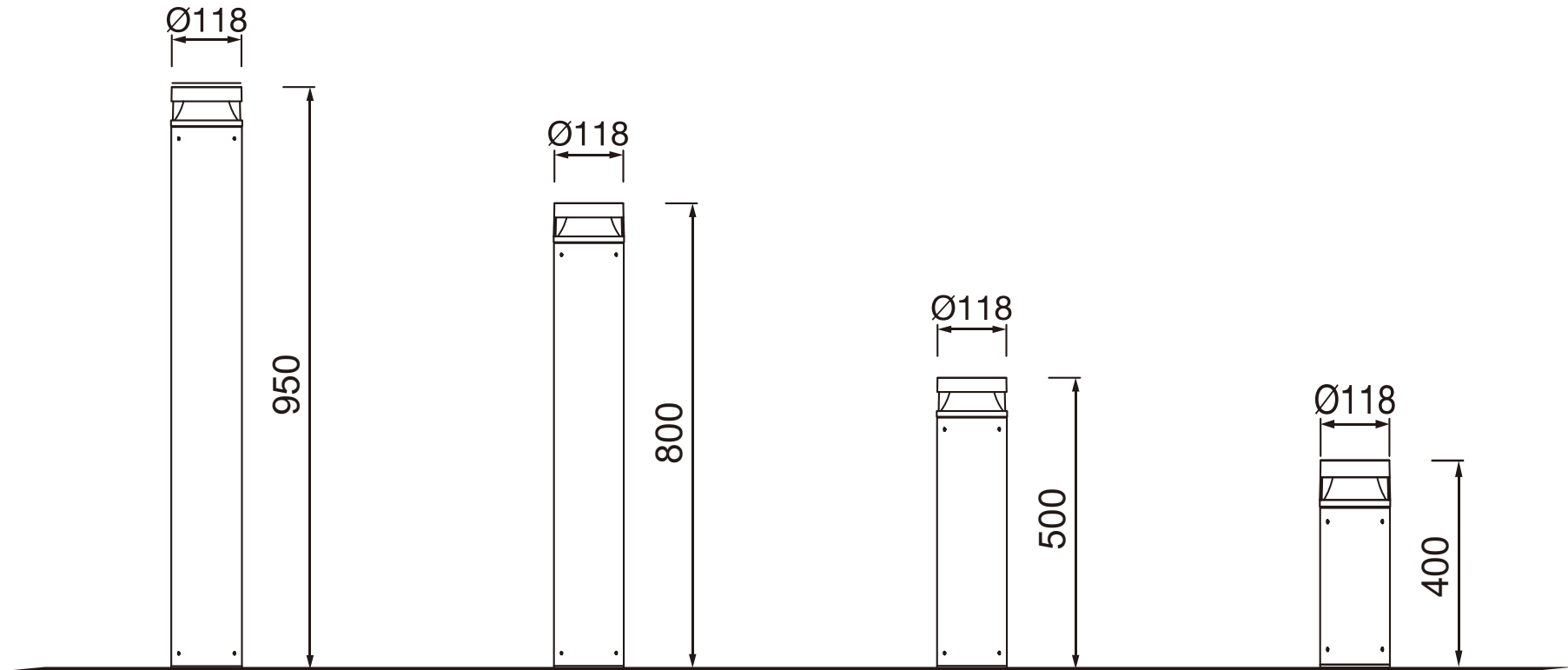
Asymmetric



Symmetric

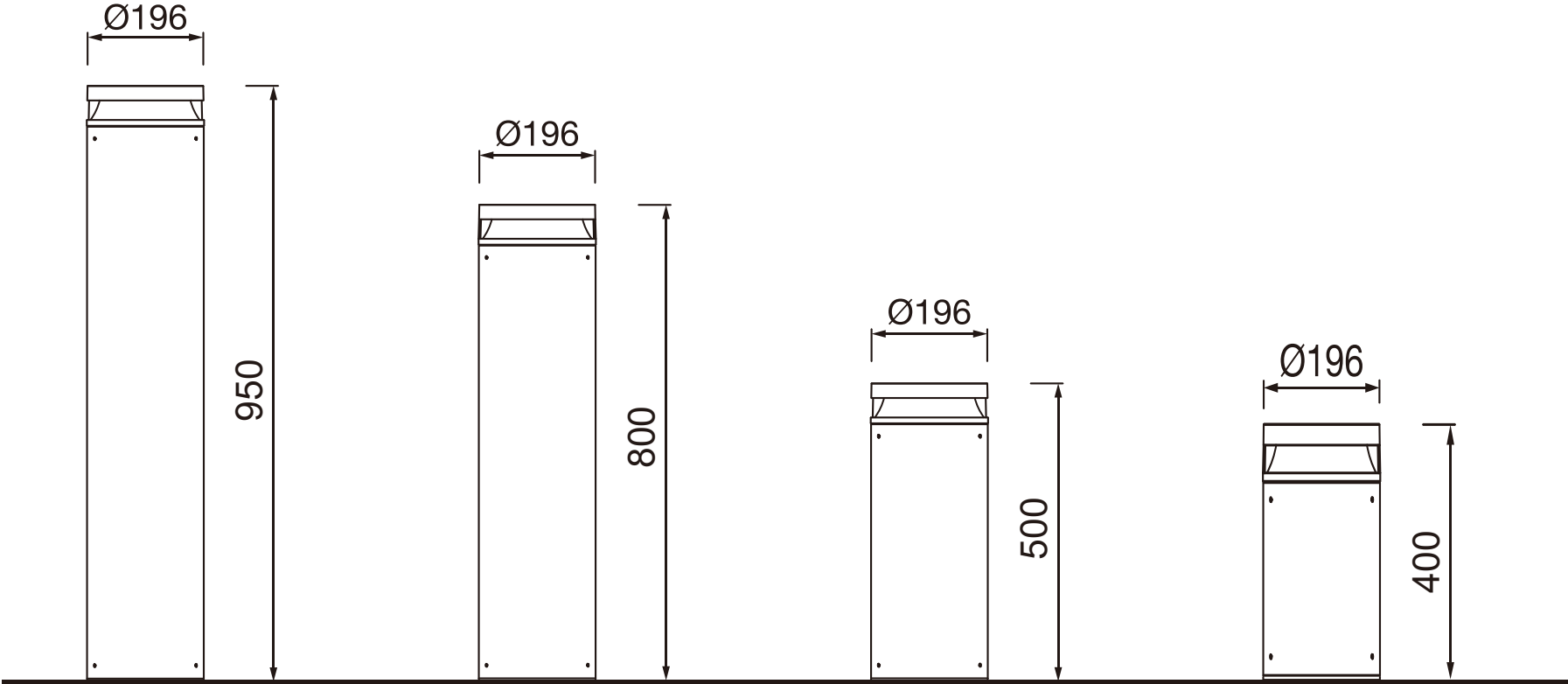


Technical Drawing



Unit: mm

Technical Drawing



Unit: mm