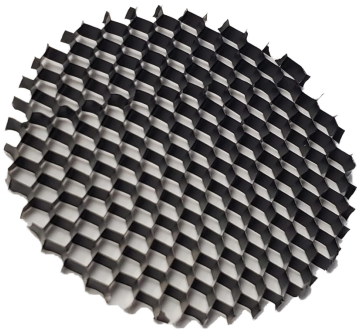


DEGSOLA

Dia 86mm - Dia183mm 7W-35W


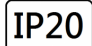
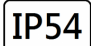



CE IP20 IP54 DALI ZigBee®



- This downlight is a deep reflector design, it adopts a high-lumen efficiency COB LED.
- ADC12 Aluminum profile provides excellent thermal dissipation.
- Isolated driver solution both in dimmable and non-dimmable version.
- Application Areas: It is designed for general lighting applications in offices, supermarkets, shops, schools, hotels, etc. It is also widely used for public areas, such as stairways, lobbies, reception, corridors, etc

Honeycomb reduce luminosity by >30%

Technical Data

Installation method / 安裝方式 Método de instalación	Recessed Mount Type / 嵌入式 Tipo de montaje empotrado
Dimension / 尺寸 / Dimensión Cut off Dimension / 開孔尺寸 / Cortar Dimensión	Dia: 86mm x H: 65mm Cut: 75mm Dia: 109mm x H: 74mm Cut: 95mm Dia: 134mm x H: 95mm Cut: 120mm Dia: 157mm x H: 110mm Cut: 150mm Dia: 183mm x H: 124mm Cut: 175mm
Input Voltage / 輸入電壓 / Voltaje de entrada	AC220-240V 50/60Hz
Power Consumption / 燈具功率 Consumo de energía	Dia: 86mm @ 7W 8W 9W Dia: 109mm @ 10W 12W 14W Dia: 134mm @ 15W 18W 22W Dia: 157mm @ 20W 25W 28W Dia: 183mm @ 28W 30W 35W
LED Driver Type LED驅動款式 Tipo de controlador LED	Remote-type LED Driver--Constant Current LED Driver: Refer to LED driver specification 請參閱LED驅動器規格 Consulte la especificación de controlador de LED 1. ON/OFF Switch AC 220-240V 50/60HZ 2. 1-10V Dimming Driver (1%-100%) AC220-240V 50/60HZ 3. DALI Dimming Driver(1%-100%) AC220-240V 50/60HZ 4. Zigbee Wireless Control Driver AC100-270V 50/60HZ 5. Emergency Backup >2 hours or >3 hours @ < 12 charger hours
LED Driver Features 驅動特性 Funciones del controlador de LED	Power Factor > 0.9 Total Harmonic Distortion: <20%
Control Protocol / 控制協議 / Protocolo de Control	1-10V / DALI / ZIGBEE Wireless Control
Beam Angle / 光束角 / ángulo de haz	24° 45°
Light Source Brand / 光源品牌 / Fuente de luz de marca	CREE / Osam
Lumen Maintenance LM-80 Reported by TM-21	L70 > 50,000 hrs
LED Life / LED壽命 / La vida del LED	>100,000 hours
Color Temperature / 色溫 Temperatura del color	2700K / 3000K / 4000K / 5000K / 6500K
Color Rendering Index / 顯色指數 Índice de reproducción cromática	> 80
Chromaticity Tolerance (initial Macadam) / 色度容差 (初始Macadam) Tolerancia de cromaticidad (Macadam inicial)	Standard Deviation Colour Matching < 3 SDCM / 標準偏差配色 < 3 SDCM Coincidencia de color estándar Desviación < 3 SDCM
Luminaire Efficacy / 燈具效率 La eficacia de la luminaria	90 Lm/w (2700K), 100 Lm/w (3000K), 105 Lm/w (4000K), 105 Lm/w (5000K), 105 Lm/w (6500K)
LED Source Luminous Efficacy / LED光源光效 Fuente luminosa LED Eficacia	130Lm/w(2700K), 140 Lm/w(3000K), 150 Lm/w(4000K), 150 Lm/w(5000K), 150 Lm/w(6500K)
Housing materials / 外殼材料 Materiales de la carcasa	Die-cast aluminum housing, PMMA Lens and Polycarbonate Reflector 壓鑄鋁外殼PMMA透鏡和聚碳酸酯反射器 Carcasa de aluminio fundido a presión, lente de PMMA y reflector de policarbonato.
Reflector Color / 反光杯顏色 / Color del reflector	Bright White / Bright Black / Matte Black / Bright Silver 亮白 / 亮黑 / 啞黑 / 亮銀 Blanco brillante / Negro brillante / Negro mate / Plata brillante
Trim Color / 框邊顏色 / Estilo Color	Powder Coating :Matte white 粉末塗料: 啞光白色 Recubrimiento en Polvo: Blanco mate
Accessories / 配件 / Accesorios	Honeycomb Louver / No Honeycomb reduce luminosity by >30%
Ingress Protection / 防護等級 Protección de ingreso	IP20 IP54
Operating Temperature Range / 工作溫度範圍 Rango de temperatura de funcionamiento	-30 °C To +50 °C
Operating Humidity / 工作濕度 Humedad de funcionamiento	0~90%, non-condensing / 不結霜 sin condensación
Comply Testing Standard / 符合測試標準 Cumplir el estándar de prueba	LED Luminaires: IEC/EN60598-1 ; EN60598-2-1 ; IEC/EN 62031 ; IEC/EN 62493; IEC TR62778 ; IEC62471; RoHS LED Driver: EN 55015 / EN 61000-3-2 / EN 61347-1 / EN 61347-2-13 / EN 61547 / EN 62384
Certification-認證-Certificación	     

Project	Fixture#	Date
		Firm

Ordering Information

Choose the option that suits your need and write its corresponding code on the appropriate line to form the product code.

Example product code: [DEGSOLA-20W](#)

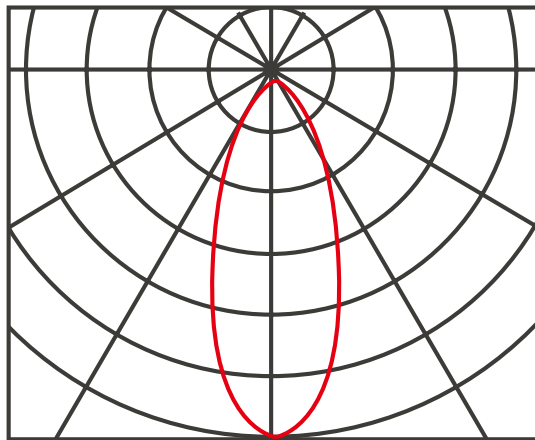
DEGSOLA - - _____
Power Consumption

Power Consumption	
Code	Description
7W	7W @ Dia 86mm
8W	8W @ Dia 86mm
9W	9W @ Dia 86mm
10W	10W @ Dia 109mm
12W	12W @ Dia 109mm
14W	14W @ Dia 109mm
15W	15W @ Dia 134mm
18W	18W @ Dia 134mm
22W	22W @ Dia 134mm
20W	20W @ Dia 157mm
25W	25W @ Dia 157mm
28W	28W @ Dia 157mm or @ Dia 183mm
30W	30W @ Dia 183mm
35W	35W @ Dia 183mm

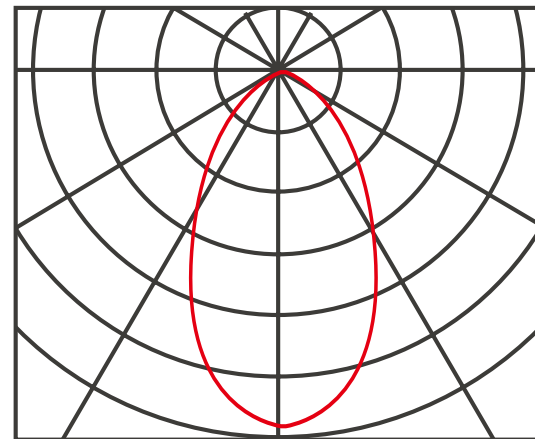


Beam Angle

24°

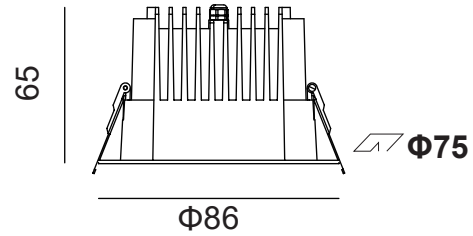


45°

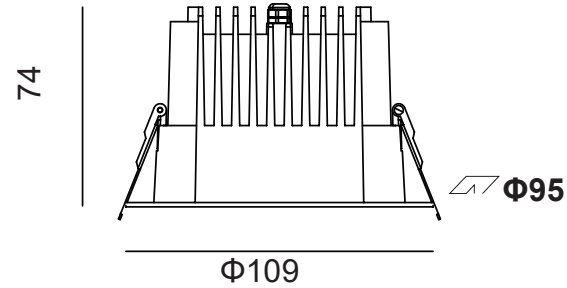


Technical Drawing

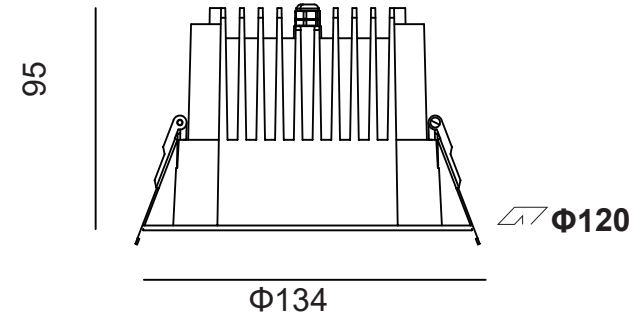
7W -9W



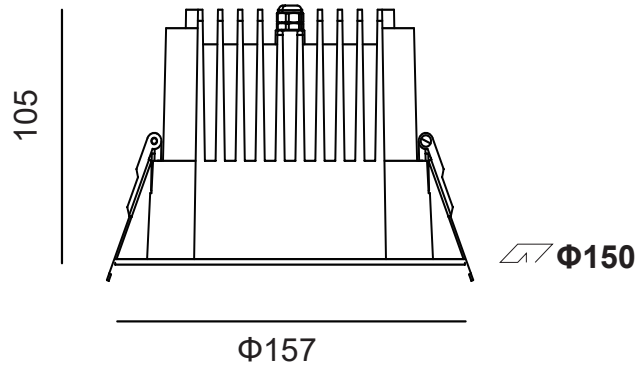
10W-14W



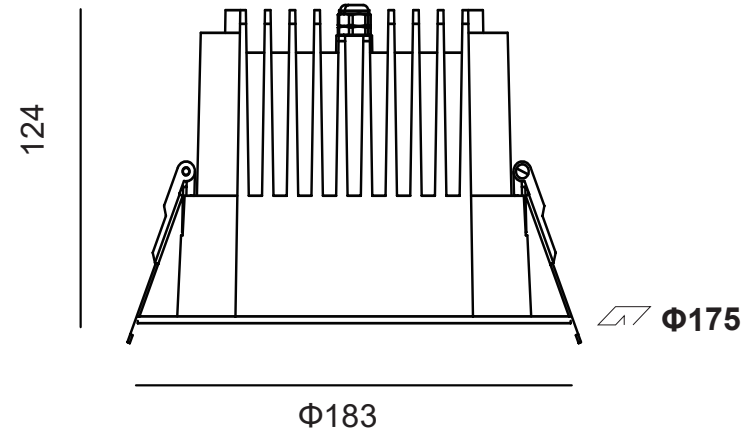
15W- 22W



22W-28W



28W-35W



Unit: mm