

## DMX Signal Amplifier DA2

DMX Signal 1 in 4 out






- One DMX512 signal input, two DMX512 signal output.
- Dedicated to amplify, distribute and insulate the signal that comes from the lighting system equipment when it is connected to the bus of DMX512(or RS-485).
- Realize extending the signal transmission distance.
- Signals expansion output control, increase DMX (485) signal amplifier to distribute multi-channel control.
- Photo-electricity insulation between input and output terminals, output terminals among channels, so as to avoid the expensive equipment such as light, 485 communications equipment, DMX driver, precise digital lighting controller, being burnt by the possible high voltage which caused from the wrong wire connection and a broken equipment, also can avoid the signal interference between each DMX equipment.

# DMX Signal Amplifier DA2

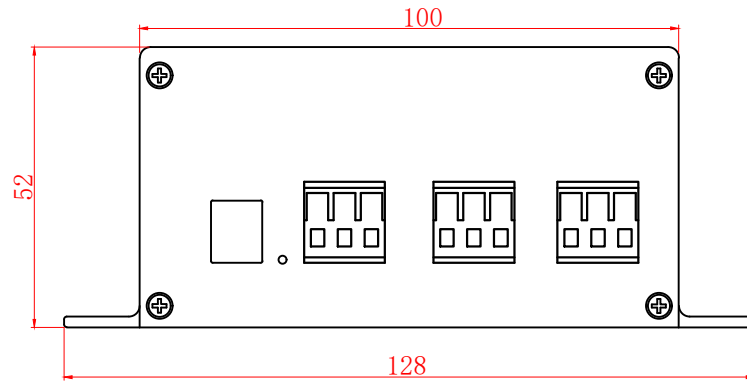
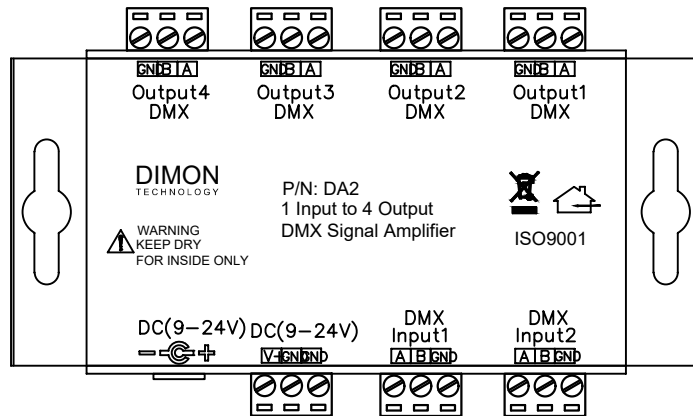
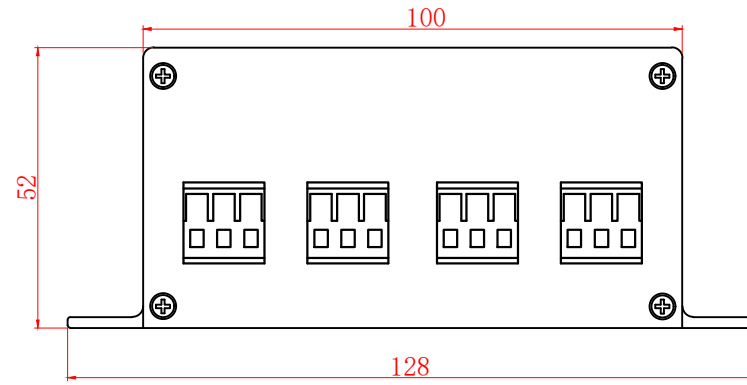
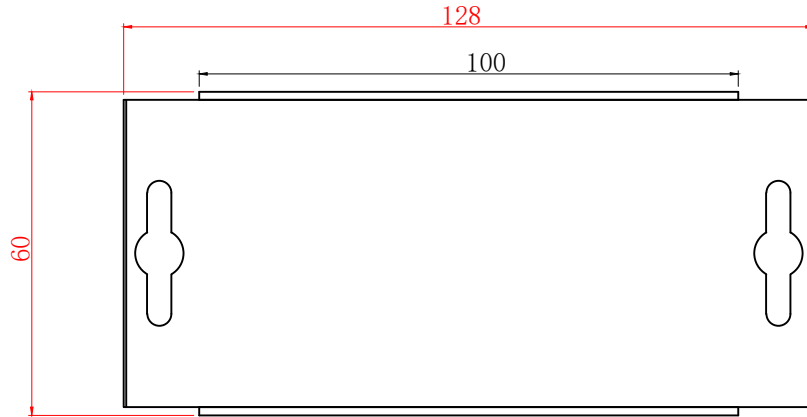
DMX Signal 1 in 4 out

**DIMON**  
TECHNOLOGY

## Technical Data

Input voltage	12-24VDC
Input signal	DMX512
Output signal	DMX512× 4
Working temperature	-30°C-55°C
Product size	L128×W60×H52mm
Net weight	200g
Certification	  

# Technical Drawing



Unit: mm

AUTODESK

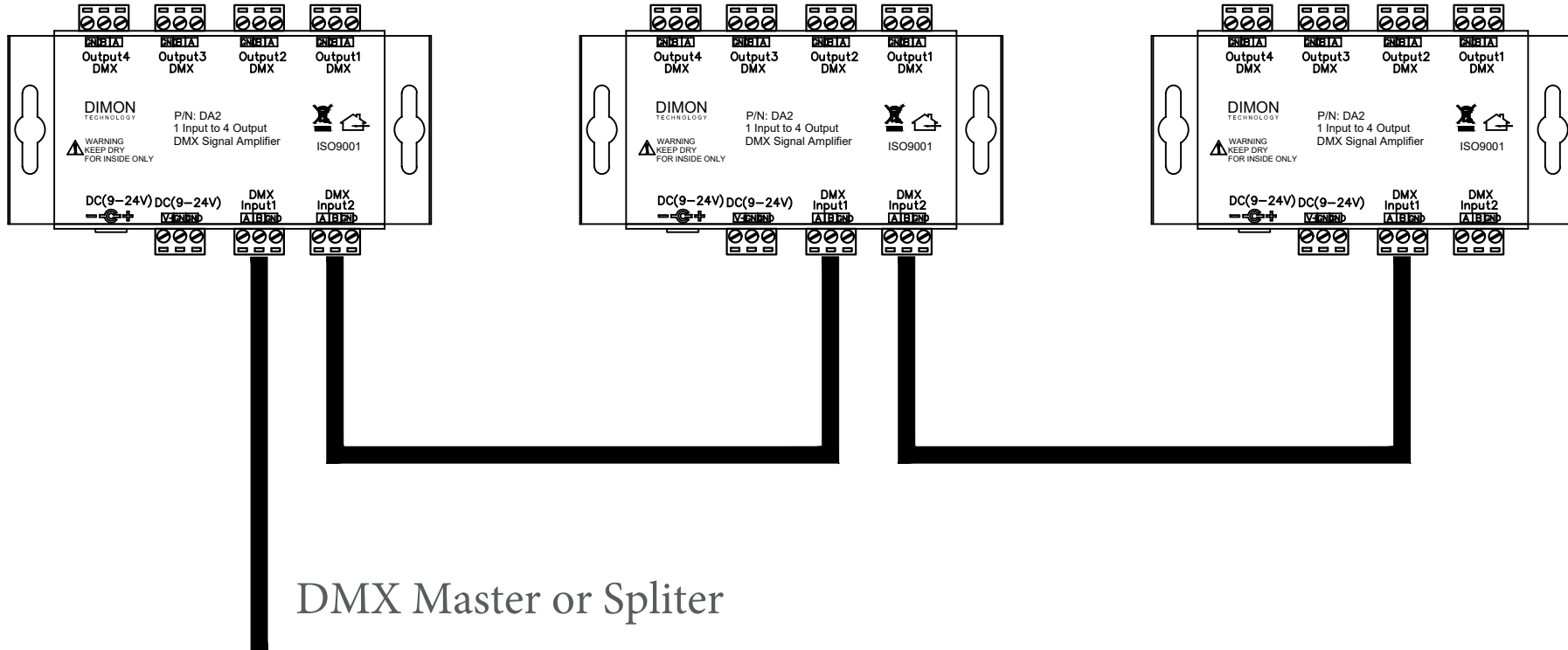
AUTODESK

AUTODESK

# Wiring Drawing

AUTODESK

**DIMON**  
TECHNOLOGY



AUTODESK

AUTODESK