



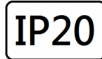

## DRA

L85 x H:60 mm



Housing: die-cast aluminium, powder-coated, designed as heat sink. Anti-glare reflector and diffusor system made of PMMA. LED module: high-power CREE LEDs Array CRI>80 LM-80 performance approve >50,000 hours. Integrated-Type ELV Dimming LED constant current control gear. The light head can be rotated to focus the object.

## Technical Data

Luminaire Type- 安裝方式 Tipo de luminaria	Recessed Mounted Spot Light 嵌入式射燈具 Luz empotrada empotrada del punto
Dimension-尺寸-Dimensión	L85 x H:60 mm
Cut off Dimension-開孔尺寸-Cortar Dimensión	DIA75 mm
QTY of LEDs-燈珠數量-CANT de LEDs	1 pcs CREE LED Array
Power Consumption Max-燈具功率 Consumo de energía Max	12W
Input Voltage-輸入電壓-Voltaje de entrada	AC100-240V 50/60HZ
LED Driver Type LED驅動款式 Tipo de controlador LED	Integrated-type LED Driver--Refer to LED driver specification 請參閱LED驅動器規格 Consulte la especificación de controlador de LED 1. ON/OFF Switch AC100-240V 50/60HZ 2. ELV Dimming Driver (5-100%) AC 100-120V 50/60Hz or AC 200-240V 50/60HZ
Beam Angle 光束角 ángulo de haz	15° 24° 36°
Light Source Brand-光源品牌-Fuente de luz de marca	CREE
"Lumen Maintenance LM-80 Reported by TM-21"	1. L90(10k) = 50,700 hrs 2. L80(10k) > 63,500 hrs 3. L70(10k) > 63,500 hrs
LED Life-LED壽命-La vida del LED	>60,000 hours
Color Temperature -色溫 Temperatura del color	2700K / 3000K / 4000K/ 5000K/ 6500K
Color Rendering Index-顯色指數 Índice de reproducción cromática	> 80
MacAdam Ellipses Binning 麥克亞當橢圓分級 Mac Adam binning elipse	Standard Deviation Colour Matching < 3 SCDM 標準偏差配色 < 3 SCDM Coincidencia de color estándar Desviación
Luminaire Efficacy 燈具效率 La eficacia de la luminaria	85lm/w(2700K), 85lm/w(3000K), 90lm/w(4000K), 100lm/w(5000K), 100lm/w(6500K)
LED Source Luminous Efficacy LED光源光效 Fuente luminosa LED Eficacia	100lm/w(2700K), 100lm/w(3000K), 105m/w(4000K), 120lm/w(5000K), 120lm/w(6500K)
Housing materials-外殼材料 Materiales de la carcasa	Die-cast aluminum and acrylic 壓鑄鋁和亞克力 Fundición de aluminio y acrílico
Housing Color 外殼顏色 color de la carcasa	Powder Coating : Matte-white body with black trim 粉末塗料: 啞光白色燈身採用啞光黑色燈框 Recubrimiento en Polvo: Cuerpo blanco mate con acabado negro
Ingress Protection-防護等級 Protección de ingreso	IP20
Environment-使用環境-medio ambiente	Indoor
Certification-認證-Certificación	   

Project	Fixture#	Date
		Firm

## Ordering Information

Choose the option that suits your need and write its corresponding code on the appropriate line to form the product code.

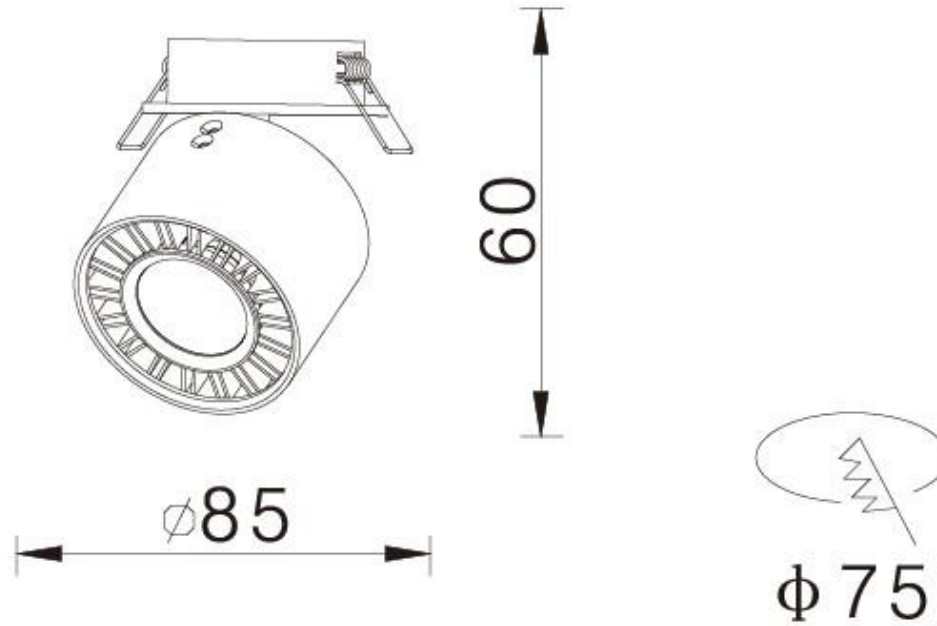
Example product code: [DRA-12W-SW-S-27-MW](#)

DRA - 12W - - MW

Power Consumption
LED Driver Type
BEAM Angle
Color Temperature
Housing Color

Power Consumption		LED Driver Type		BEAM Angle		Color Temperature		Housing Color	
Code	Description	Code	Description	Code	Description	Code	Description	Code	Description
12W	12W	SW	ON/OFF Switch	N	15°	27	2700K	MW	Matte white body with Matte-blackTrim
		ELV	ELV Leading Ledge Control	S	24°	30	3000K		
				M	36°	40	4000K		
						50	5000K		
						65	6500K		

# Technical Drawing



Unit: mm