



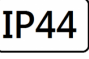

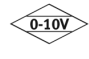

# DRESA

5W-30W



ousing: die-cast aluminium with chrom reflector  
Anti-glare Polycarbonate reflector Deep recessed design achieves super eye comfort.  
LED module: CREE COB  
Remoted-Type 1-10V, DALI,control gear.

## Technical Data

Luminaire Type-安裝方式 Tipo de luminaria	Recessed Mount Type : Tilted-Angle- Type 30° tilt 嵌入式筒燈 : 可調角度類型 (上下調角30°)
Dimension-尺寸-Dimensión / mm Cut off Dimension-開孔尺寸-Cortar Dimensión / mm	<ul style="list-style-type: none"> <li>• Dai 85 x H: 70mm cut off: 75-80mm</li> <li>• Dai 100 x H: 85mm cut off: 85-90mm</li> <li>• Dia 140 x H:105mm cut off :120-130mm</li> <li>• Dia 175 x H:118mm cut off :150-160mm</li> </ul>
Input Voltage-輸入電壓-Voltaje de entrada	AC220-240V 50/60HZ
Power Consumption Max with LED Module LED 模組燈具功率 Consumo de energía Max	<ul style="list-style-type: none"> <li>• 5W or 7W @ Dai 85 x H: 70mm</li> <li>• 9W or 12W @ Dai 100 x H: 85mm</li> <li>• 15W or 18W or @ 20W @ Dia 140 x H:105mm</li> <li>• 22W or 25W or 30W @ Dia 175 x H:118mm</li> </ul>
LED Driver Type LED 驅動款式 Tipo de controlador LED	Remote-type LED Driver--Constant Current LED Driver: Refer to LED driver specification 請參閱LED驅動器規格 Consulte la especificación de controlador de LED 1. ON/OFF Switch 2. 1-10V Dimming Driver 3. Dali Dimming Driver(0%-100%) 4.Remote Type Emergency Battery Kit with battery Back up 2 hours or 3hours
LED Driver Features Constant Current LED Driver: 驅動特性-恆流LED驅動器 Funciones del controlador de LED	POWER FACTOR : PF>0.90 or PF:>0.95 TOTAL HARMONIC DISTORTION: THD< 20% Constant Current LED Driver: Refer to LED driver specification 請參閱LED驅動器規格 Consulte la especificación de controlador de LED
Control Protocol-控制協議Protocolo de Control	1-10V / Dali
Beam Angle 光束角 /ángulo de haz	15° / 24° / 38° / 55°
Light Source Brand-光源品牌-Fuente de luz de marca	CREE
"Lumen Maintenance LM-80 Reported by TM-21"@ 25°C	L90(10k) = 50,000 hrs / L80(10k) > 60,000 hrs / L70(10k) > 60,000 hrs
LED Life-LED壽命-La vida del LED	>60,000 hours
Color Temperature -色溫 Temperatura del color	2700K / 3000K / 4000K / 5000K / 6000K/ 6500K
Color Rendering Index-顯色指數 Índice de reproducción cromática	> 80 > 90
Chromaticity Tolerance (initial Macadam) 色度容差 (初始Macadam) Tolerancia de cromaticidad (Macadam inicial)	Standard Deviation Colour Matching < 3 SDCM 標準偏差配色 < 3 SDCM Coincidencia de color estándar Desviación < 3 SDCM
Luminaire Efficacy燈具效率 La eficacia de la luminaria	95 Lm/w(2700K), 95 Lm/w(3000K), 100 Lm/w(4000K), 110Lm/w(5000K), 110 Lm/w(6000K), 110Lm/w(6500K),
LED Source Luminous Efficacy LED光源光效 Fuente luminosa LED Eficacia	120 Lm/w(2700K), 120 Lm/w(3000K), 130 Lm/w(4000K), 140 Lm/w(5000K), 140 Lm/w(6000K), 140 Lm/w(6500K),
Housing materials-外殼材料 Materiales de la carcasa	Die-cast aluminum and Polycarbonate Reflector with PMMA Lens Diffuser 壓鑄鋁與PMMA鏡頭 和PC擴散器 Reflector de aluminio fundido a presión y policarbonato con difusor de lente PMMA
Reflector反光杯Reflector	Matt black / Bright Black / Bright silver / Matt silver / Matt white 啞黑 / 亮黑 / 亮銀 / 啞銀 / 啞白 Negro mate / Negro brillante / Plata brillante / Plata mate / Blanco mate
Trim Color-框邊顏色-Estilo Color	Matte white / Matte black 啞光白色 / 啞光黑色 Blanco mate / Matte black
Ingress Protection-防護等級 Protección de ingreso	IP44
Operating Temperature Range / 工作溫度範圍 Rango de temperatura de funcionamiento	-30 °C To +50 °C
Operating Humidity -工作濕度 Humedad de funcionamiento	0~90%, non-condensing-不結霜 sin condensación
Comply Testing Standard 符合測試標準 Cumplir el estándar de prueba	LED Luminaires: IEC/EN60598-1 ; EN60598-2-1 ; IEC/EN 62031 ; IEC/EN 62493; IEC TR62778 ; IEC62471; RoHS LED Driver: EN 55015 / EN 61000-3-2 / EN 61347-1 / EN 61347-2-13 / EN 61547 / EN 62384
Certification-認證-Certificación	     

Project	Fixture#	Date
		Firm



## Ordering Information

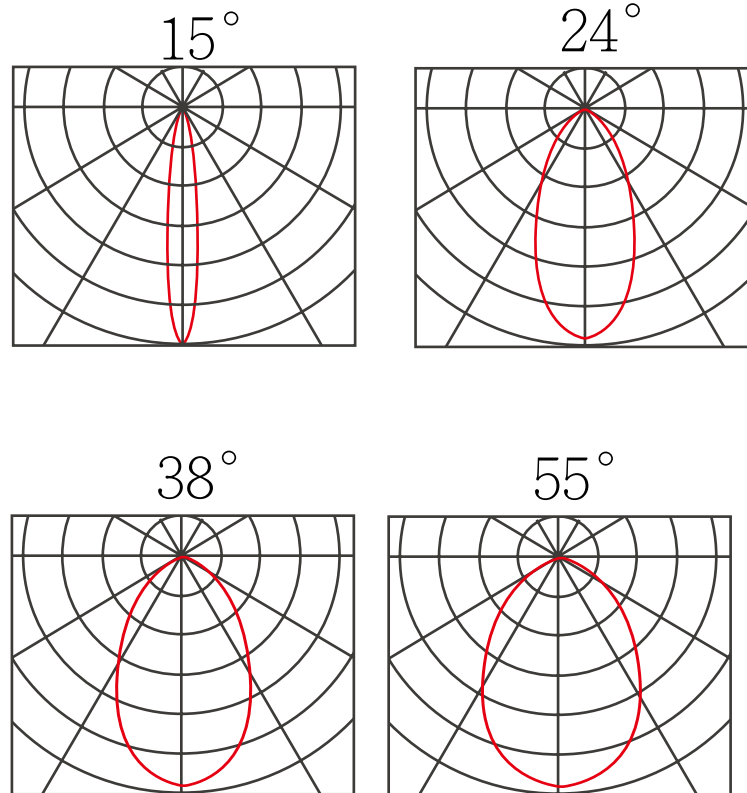
Choose the option that suits your need and write its corresponding code on the appropriate line to form the product code.

Example product code: [DRESA-9W](#)

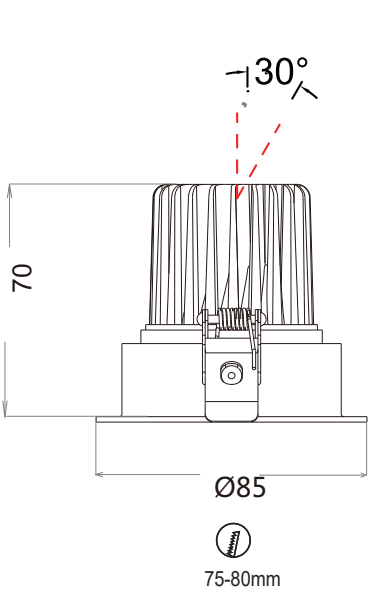
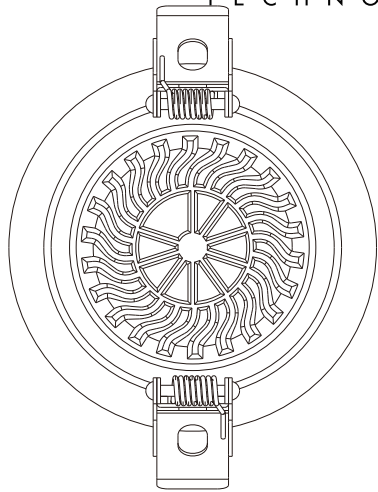
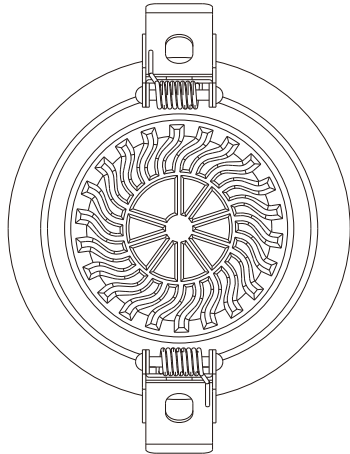
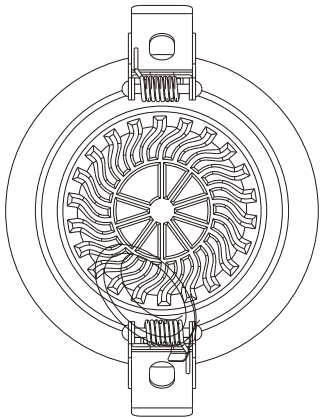
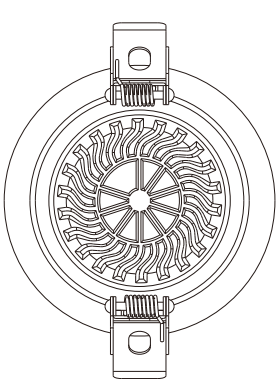
DRESA - - \_\_\_\_\_  
Power Consumption

Power Consumption	
Code	Description
<a href="#">5W</a>	5W @ Dai 85 x H: 70mm
<a href="#">7W</a>	7W @ Dai 85 x H: 70mm
<a href="#">9W</a>	9W @ Dai 100 x H: 85mm
<a href="#">12W</a>	12W @ Dai 100 x H: 85mm
<a href="#">15W</a>	15W@ Dia 140 x H:105mm
<a href="#">18W</a>	18W@ Dia 140 x H:105mm
<a href="#">20W</a>	20W@ Dia 140 x H:105mm
<a href="#">22W</a>	22W @ Dia 175 x H:118mm
<a href="#">25W</a>	25W @ Dia 175 x H:118mm
<a href="#">30W</a>	30W @ Dia 175 x H:118mm

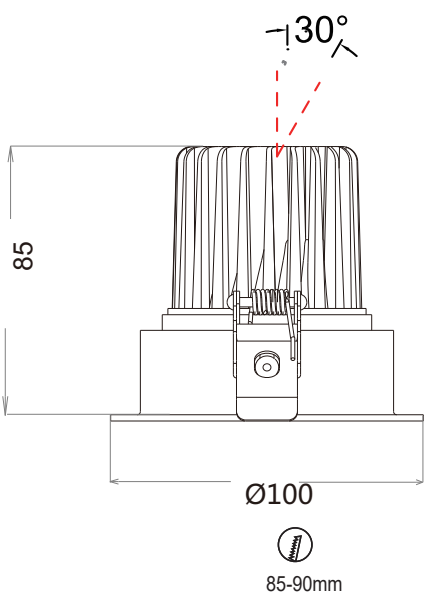
# BEAM ANGLE



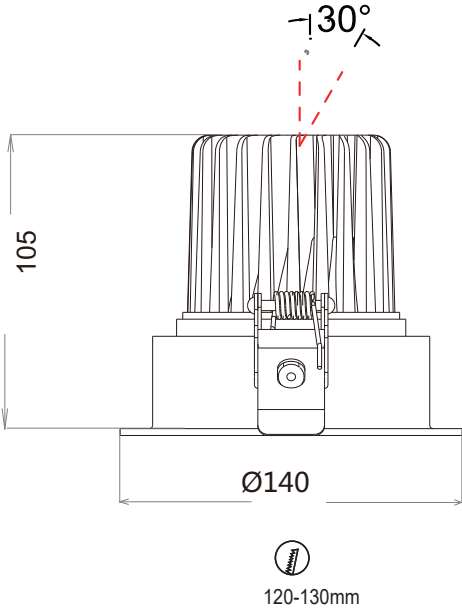
Technical Drawing



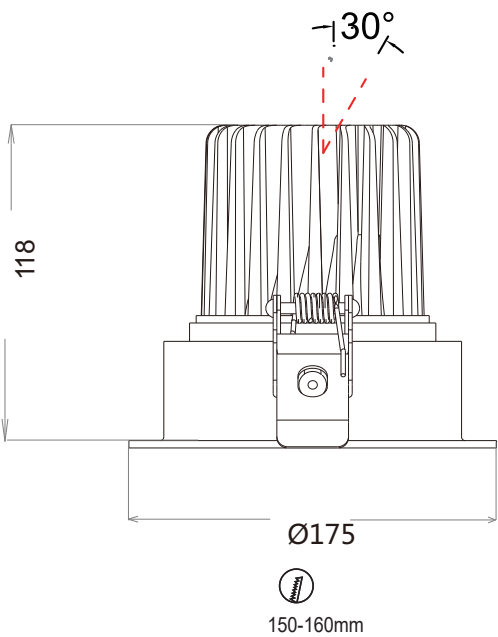
5W~7W



7W~12W



15W~20W



22W~30W

Unit: mm