

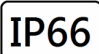







DSAR WALL LIGHT



- Die-cast aluminium. separate electric housing with crystal safty glass or PC diffuser
- Surface anti-ageing electrostatic spray processing,super resistance to corrosion.
- Wall mounting, easy installation with removable back plate.
- Protection :IP66,

Technical Data

Luminaire Type-安裝方式Tipo de luminaria	Wall Mounted Type壁掛式Tipo montado en la pared		
Dimension-尺寸-Dimensión	L: 336x H: 216 x D: 182mm		
Power Consumption Max-燈具功率 Consumo de energía Max	20W	30W	40W 50W 60W
Input Voltage-輸入電壓-Voltaje de entrada	AC220-240V 50/60HZ		
LED Driver Type LED驅動款式 Tipo de controlador LED	Integrated-type LED Driver--Refer to LED driver specification 請參閱LED驅動器規格 Consulte la especificación de controlador de LED 1. ON/OFF Switch AC220-240V 50/60HZ 2. 1 -10V Dimming Driver AC220-240V 50/60HZ 3. Dali Dimming Driver AC220-240V 50/60HZ 4. Remote Emergency Backup >2 hours or >3 hours @ < 12 charger hours應急電池/Copia de seguridad de emergencia		
LED Driver Features驅動特性 Funciones del controlador de LED	<ul style="list-style-type: none"> • POWER FACTOR : PF>0.95 @ Full Load • TOTAL HARMONIC DISTORTION: THD< 10% • Lightning protection level : difference module 4kV , common mode 6kV 		
Light Source Brand-光源品牌-Fuente de luz de marca	OSRAM		
Beam Angle光束角ángulo de haz	Asymmetric 不對稱Asimétrico		
"Lumen Maintenance LM-80 Reported by TM-21"@25degree	L70 > 60,000 hrs		
LED Life-LED壽命-La vida del LED	>60,000 hours		
Color Temperature -色溫 Temperatura del color	2700K / 3000K / 4000K/ 5000K / 6000K		
Color Rendering Index-顯色指數 Índice de reproducción cromática	> 80		
MacAdam Ellipses Binning 麥克亞當橢圓分級 Mac Adam binning elipse	Standard Deviation Colour Matching < 3 SCDM 標準偏差配色< 3 SCDM Coincidencia de color estándar Desviación		
Luminaire Efficacy燈具效率 La eficacia de la luminaria	100lm/w(2700K), 115lm/w(5000K),	100lm/w(3000K), 115lm/w(6000K)	110lm/w(4000K),
LED Source Luminous EfficacyLED光源光效 Fuente luminosa LED Eficacia	130lm/w(2700K), 145lm/w(5000K),	130lm/w(3000K), 145lm/w(6000K)	140lm/w(4000K),
Housing materials-外殼材料 Materiales de la carcasa	Cast aluminum , Clear crystal glass or anti-UV PC diffuser with pattern Stainless steel screws, Silicon seal gaskets Aluminio fundido a presión y vidrio templado 鑄鋁, 透明水晶紋玻璃或抗紫外線帶圖案擴散器, 不銹鋼螺釘, 硅膠密封墊圈 Aluminio fundido, difusor de cristal transparente con patrón Tornillos de acero inoxidable, juntas de sellado de silicona		
Housing Color外殼顏色 color de la carcasa	Polyester powders Coating--Matte Black RAL9005 or Brown 聚酯粉末塗料--啞光黑 RAL 9005 或棕色 Revestimiento en polvo de poliéster: negro mate RAL 9005		
Ingress Protection-防護等級 Protección de ingreso	IP66		
Operating Temperature Range / 工作溫度範圍 Rango de temperatura de funcionamiento	-30 °C / +50 °C		
Net Weight淨重Peso Neto	20 KG		
Certification-認證-Certificación	       		

Project	Fixture#	Date
		Firm

Ordering Information

Choose the option that suits your need and write its corresponding code on the appropriate line to form the product code.

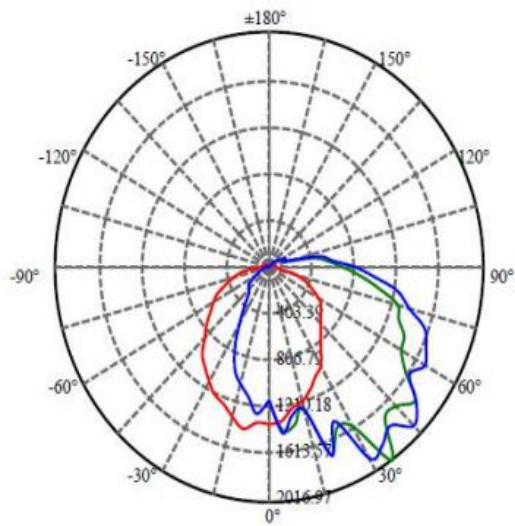
Example product code: [DSAR-40W](#)

DSAR - - _____
 [Power Consumption](#)

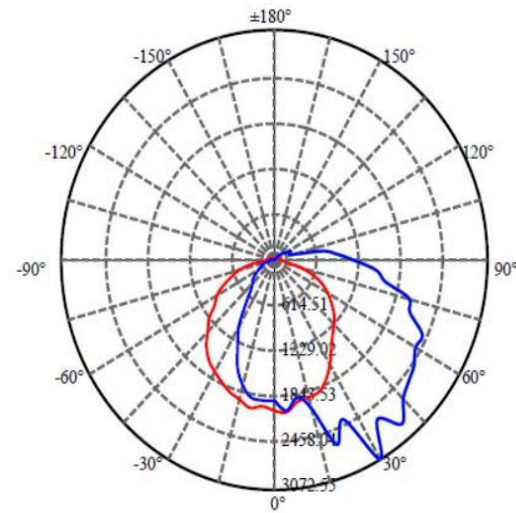
Power Consumption	
Code	Description
20W	20W
30W	30W
40W	40W
50W	50W
60W	60W



BEAM ANGLE

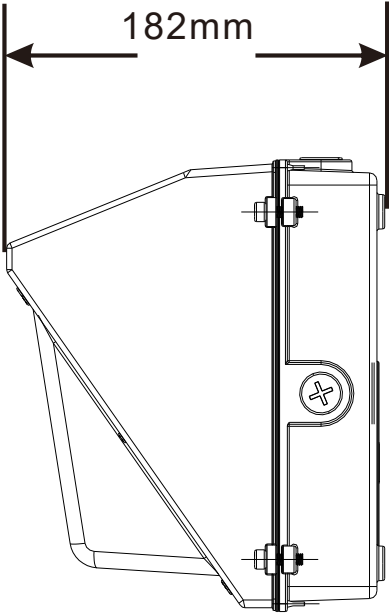
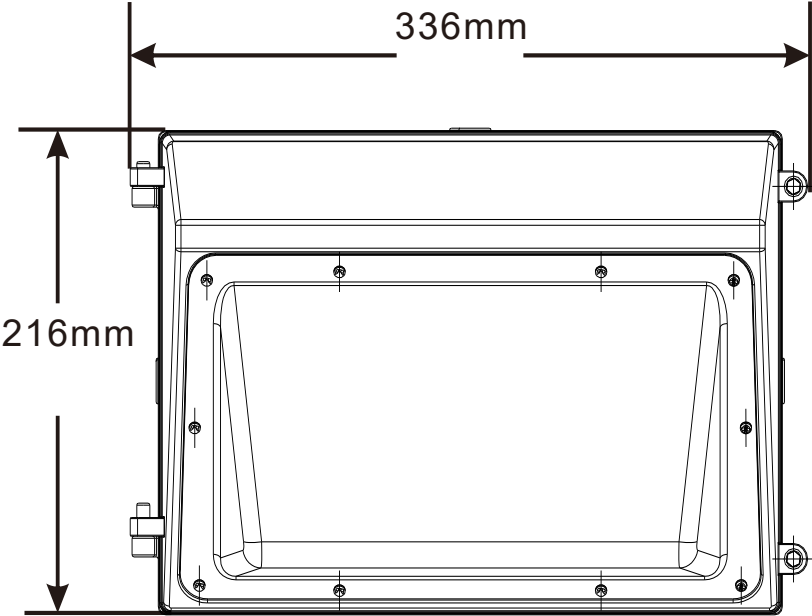


40W



60W

Technical Drawing



Unit: mm