

F-SPAMY - SQ

86x86mm Max15W



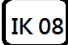




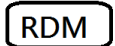


Special housing designs and high-quality optical components specifically for demanding visual tasks to provide enhanced visual comfort.
Discreet and compact aesthetically designed architectural outdoor spotlight, ideal for glare-free accent lighting, floodlighting and wall washing in the outdoor area.
Corrosion-resistant ADC12 # die-casting aluminium body gives the luminaire good thermal conductivity, and large area connections between the rear of the housing and the LED's PCB ensure good heat conduction.

F-SPAMY - SQ

86x86mm Max15W

DIMON
TECHNOLOGY

Technical Data

Installation Method / 安裝方式 Metodo de instalacion	Surface Mounted and Adjustable Type / Spike Mounted / Tree Mounted / Pole Mounted 表面安裝和可調型/釘裝/樹裝/桿裝 Montado en superficie y tipo ajustable / Montado en púas / Montado en árbol / Montado en poste
Optical Accessories / 光學配件 Accesorios ópticos	Honeycomb Louver / Cylindrical Hood / Cylindrical Hood Angle 45° 蜂巢百葉窗/圓柱形罩/圓柱形罩角度 45° Rejilla de panal / capó cilíndrico / ángulo de capó cilíndrico 45°
Rotation angle / 旋轉角度 Ángulo de rotación	Vertical : 180° Horizontal : 355°
Power Consumption with LED Driver LED燈具包括LED驅動電源功率 Consumo de energía con controlador de LED	• 7W • 9W • 12W • 15W
Input Voltage / 輸入電壓 Voltaje de entrada	220-240VAC 50-60HZ 24VDC / 48VDC
LED Driver Type LED驅動款式 Tipo de controlador LED	Integrated-type LED Driver--Constant Current LED Driver: Refer to LED driver specification 請參閱LED驅動器規格 Consulte la especificación de controlador de LED 1. ON/OFF Switch AC220-240V 50/60HZ 2. DC 24V / DC 45V 3. 0/1 -10V Dimming Driver AC220-240V 50/60HZ 4. DALI Dimming Driver AC220-240V 50/60HZ 5. DMX Driver AC220-240V 50/60HZ (Dimming range from 0-100%) 6. Remoted Type Emergency Backup >2 hours
Power Factor / 功率因數/Factor de potencia	PF>0.9
Total Harmonic Distortion/總諧波失真/Distorsión armónica total	THD<20%
Light Source Brand-光源品牌-Fuente de luz de marca	CREE / Bridgelux / Cited
"Lumen Maintenance LM-80 Reported by TM-21"	L70(10k) > 54,000 hrs
LED Life-LED壽命-La vida del LED	>100,000 hours
Color Temperature and Color 色溫和顏色 Temperatura y color del color	2700K 3000K 4000K 5000K 6500K RGB RGBW
Color Rendering Index-顯色指數 Índice de reproducción cromática	>80 >90
MacAdam Ellipses Binning 麥克亞當橢圓分級 Mac Adam binning elipse	Standard Deviation Colour Matching < 3 SDCM 標準偏差配色 < 3 SDCM Coincidencia de color estándar Desviación < 3 SDCM
Beam Angle/光束角/ángulo de haz	10° 15° 18° 24° 34° 36° 60°
Luminaire Efficacy 燈具效率 La eficacia de la luminaria	70 Lm/w(2700K) 75 Lm/w(3000K) 80 Lm/w(4000K) 85 Lm/w(5000K) 85 Lm/w(6500K) 60 Lm/w (RGBW)
LED Source Luminous Efficacy LED光源光效 Fuente luminosa LED Eficacia	120 Lm/w(2700K) 130 Lm/w(3000K) 140 Lm/w(4000K) 150 Lm/w(5000K) 150 Lm/w(6500K) 100 Lm/w (RGBW)
Housing materials 外殼材料 Materiales de la carcasa	Die-Casted Aluminium and Aluminium Alloy and Tempered Glass 壓鑄鋁和鋁合金及鋼化玻璃 Aluminio fundido a presión y aleación de aluminio y vidrio templado de
Housing Color外殼顏色 color de la carcasa	Traffic Black RAL9017 / 黑 RAL9017 / Negro RAL9017 Signal white RAL9003 / 白 RAL9003 / Blanco RAL9003 Telegrey 2 RAL7046 / 灰 RAL7046 / Gris tele 2 RAL7046
Ingress Protection-防護等級 Protección de ingreso	IP66
Mech impact protection 機械衝擊保護 Protección contra impactos mecánicos	IK08
Operating Temperature Range / 工作溫度範圍 Rango de temperatura de funcionamiento	-20 °C / +50 °C
Operating Humidity -工作濕度 Humedad de funcionamiento	0~100%, non-condensing-不結霜 sin condensación
Dimension尺寸Dimension	Refer to Technical Drawing 請參閱技術圖紙Consulte el dibujo técnico
Certificate Standard Complied 符合安規標準 estándar certificado de cumplimiento	LED Luminaries: IEC 60598-1;IEC 60598-2-5;RoHS LED Driver: IEC/EN 61347-1; IEC/EN 61347-2-13; IEC/EN 62384; IEC/EN 61000-3-2; IEC/EN 61000-3-3;IEC/EN61574;EN 55015
Certification-認證-Certificación	       

Project	Fixture#	Date
		Firm



Ordering Information

Choose the option that suits your need and write its corresponding code on the appropriate line to form the product code.

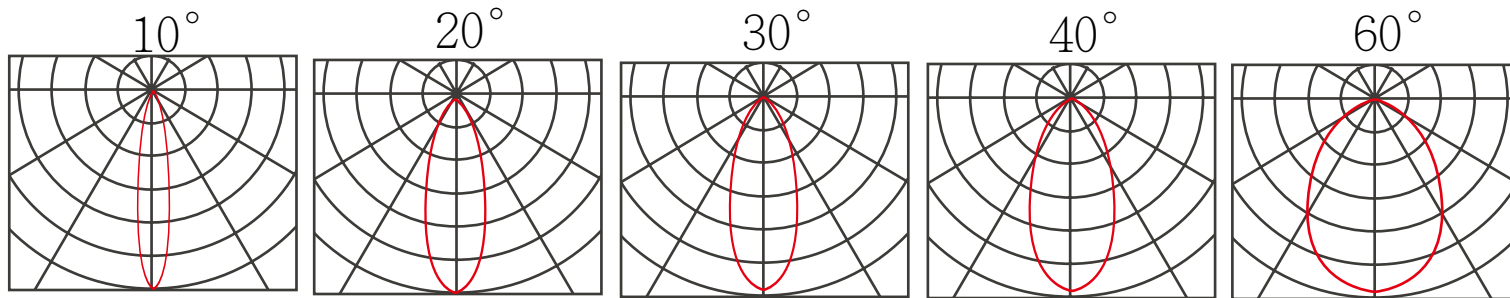
Example product code: [F-SPAMY-15W](#)

F-SPAMY-SQ - -

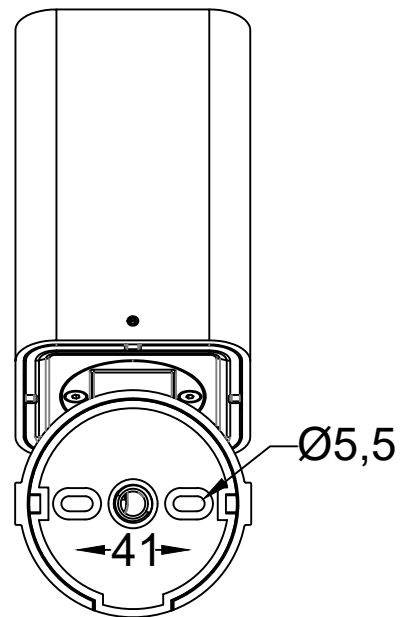
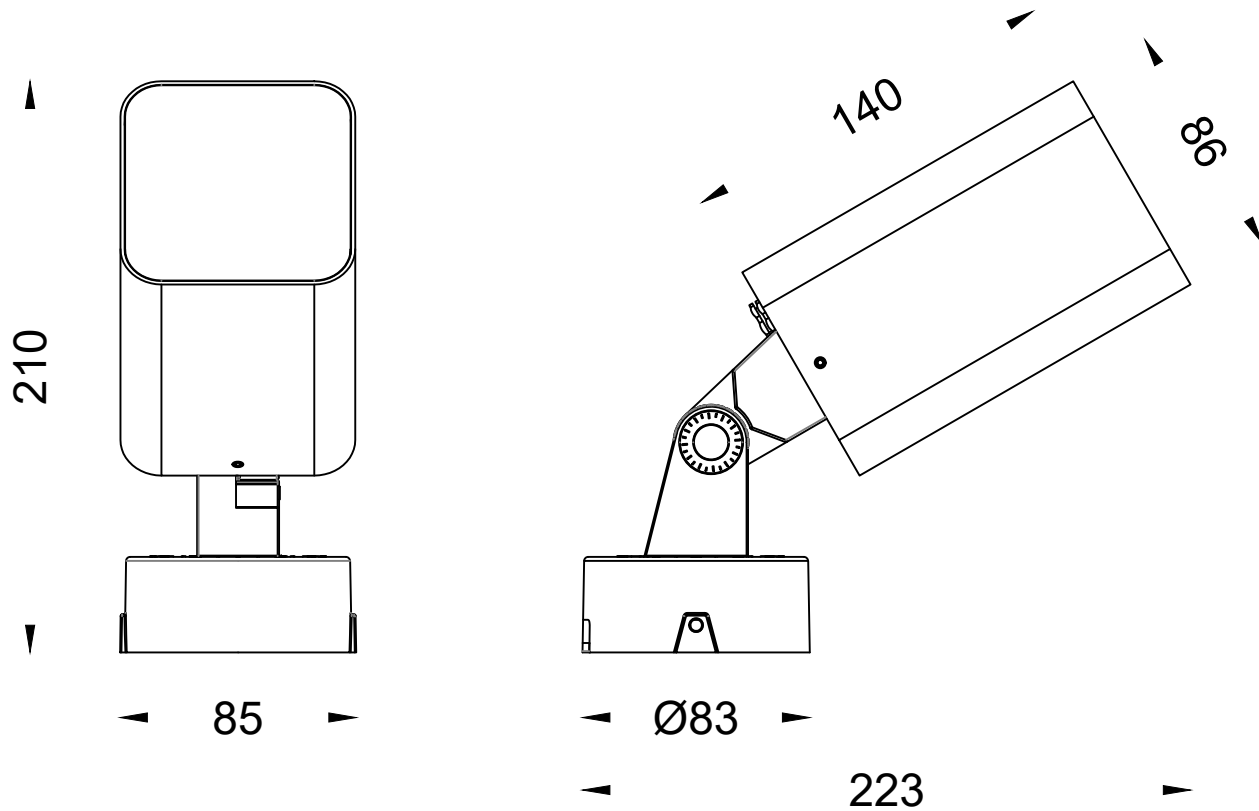
POWER
CONSUMPTION

POWER CONSUMPTION	
Code	Description
7W	7W
9W	9W
12W	12W
15W	15W

BEAM ANGLE



Technical Drawing



Unit: mm