

## FLARE-SPOT

25W-100W IP66



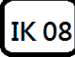
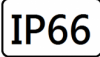





- Optics with PC lens with high visual comfortable and good anti glare effect, multiple light distribution options.
- Flickering free Lighting distribution
- Surface anti-ultraviolet pure polyester powder painting, Corrosion resistance can be more than 1000 hours.
- No photo-biological risk, in accordance with EN 62471:2008.
- All external screws are made of 304 stainless steel

# FLARE-SPOT

25W-100W IP66

**DIMON**  
TECHNOLOGY

## Technical Data

Installation method / 安裝方式 Metodo de instalacion	Surface Mounted and Adjustable Type 明裝可調安裝腳 Tipo montado en superficie y ajustable
Power Consumption with LED Driver LED燈具包括LED驅動電源功率 Consumo de energía con controlador de LED	W: 234x H: 225x D: 135mm: 25W 30W 35W 40W W: 310x H: 263 x D: 153mm : 50W 60W 70W 80W 100W
Input Voltage / 輸入電壓/Voltaje de entrada	220-240VAC/50-60HZ
Control 控制Control	0-10V / DALI/ DMX512
Power Factor / 功率因數/Factor de potencia	PF>0.90
Total Harmonic Distortion/總諧波失/Distorsión armónica total	THD<20%
Light Source Brand-光源品牌-Fuente de luz de marca	CREE
"Lumen Maintenance LM-80 Reported by TM-21"	L70 ( 80% ) > 60000 hrs
LED Life-LED壽命-La vida del LED	>100,000 hours
Color Temperature色溫 Temperatura y color	2700K / 3000K / 4000K / 5000K / 6500K RGBW (4000K or 5000K)
Color Rendering Index-顯色指數 Índice de reproducción cromática	>70 >80
MacAdam Ellipses Binning 麥克亞當橢圓分級 Mac Adam binning elipse	Standard Deviation Colour Matching < 3 SDCM 標準偏差配色 < 3 SDCM Coincidencia de color estándar Desviación < 3 SDCM
Beam Angle光束角ángulo de haz	8° 15° 25° 40° 60° Asymetric
Luminaire Efficacy 燈具效率 La eficacia de la luminaria	120 Lm/w(2700K), 130 Lm/w(3000K), 130 Lm/w(4000K), 140 Lm/w(5000K), 140Lm/w(6500K),
LED Source Luminous Efficacy LED光源光效 Fuente luminosa LED Eficacia	150 Lm/w(2700K), 160 Lm/w(3000K), 160 Lm/w(4000K), 170 Lm/w(5000K), 170 Lm/w(6500K),
Housing materials 外殼材料 Materiales de la carcasa	Die-cast aluminium and Tempered glass 壓鑄鋁和鋼化玻璃 Die fundición de aluminio y vidrio templado
Housing Color 外殼顏色 color de la carcasa	Polyester powders Coating-聚酯粉末塗料 RAL 9003 Signal White RAL 9003 信号白 RAL 9005 Jet Black RAL 9005 墨黑色 RAL 9007 Grey Aluminium RAL 9007 灰鋁色 RAL 7016 Anthracite Grey RAL 7016 深灰色
Ingress Protection-防護等級 Protección de ingreso	IP66
Operating Temperature Range / 工作溫度範圍 Rango de temperatura de funcionamiento	-20 °C / +50 °C
Operating Humidity -工作濕度 Humedad de funcionamiento	0~100%, non-condensing-不結霜 sin condensación
Dimension尺寸 Dimensión	Refer to Drawing
Certificate Standard Complied 符合安規標準 estándar certificado de cumplimiento	LED Luminaries: IEC / EN 60598-1; IEC/EN 60598-2-5; IEC TR62778 IEC62471 (RG1); IEC 62031; EN62493 RoHS LED Driver: IEC/EN 61347-1; IEC/EN 61347-2-13; IEC/EN 62384; IEC/EN 61000-3-2; IEC/EN 61000-3-3; IEC/EN61574; EN 55015
Certification-認證-Certificación	      

Project	Fixture#	Date
		Firm

## Ordering Information

Choose the option that suits your need and write its corresponding code on the appropriate line to form the product code.

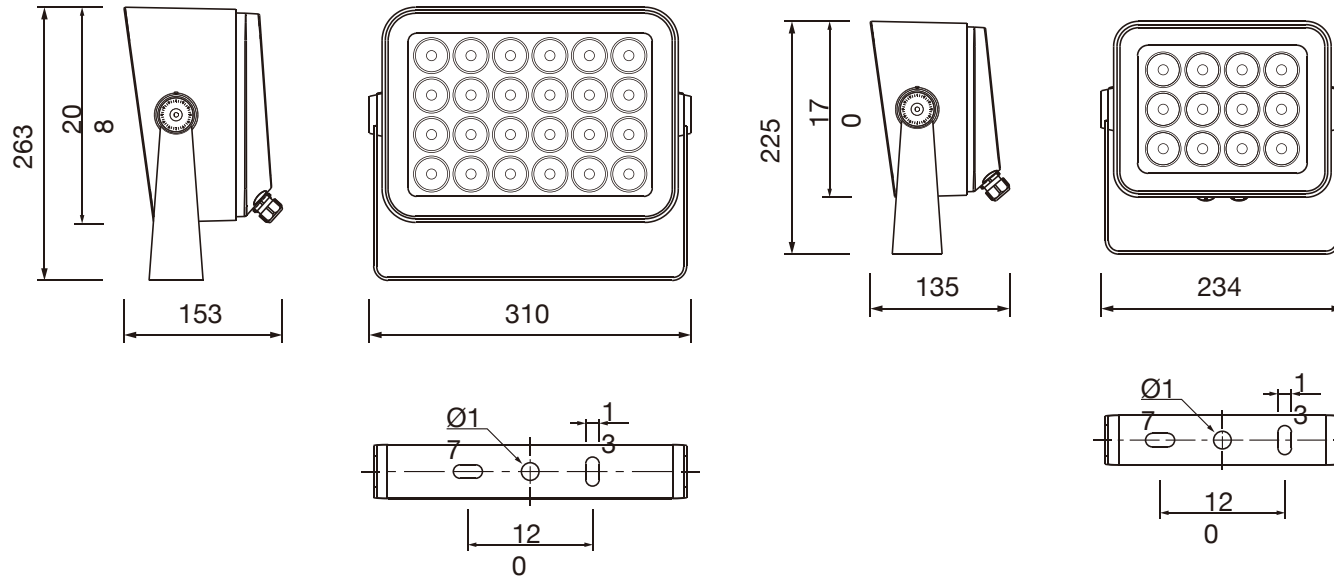
Example product code: [FLARE-100W](#)

FLARE -            -            \_\_\_\_\_  
POWER CONSUMPTION

POWER CONSUMPTION	
Code	Description
<a href="#">25W</a>	25W @ W: 234x H: 225x D: 135mm
<a href="#">30W</a>	30W @ W: 234x H: 225x D: 135mm
<a href="#">35W</a>	35W @ W: 234x H: 225x D: 135mm
<a href="#">40W</a>	40W @ W: 234x H: 225x D: 135mm
<a href="#">50W</a>	50W@ W: 310x H: 263 x D: 153mm
<a href="#">60W</a>	60W@ W: 310x H: 263 x D: 153mm
<a href="#">70W</a>	70W@ W: 310x H: 263 x D: 153mm
<a href="#">80W</a>	80W@ W: 310x H: 263 x D: 153mm
<a href="#">100W</a>	100W@ W: 310x H: 263 x D: 153mm



# Technical Drawing



Net: 5.8KG



Net: 5.5KG



Unit: mm

**Optical accessories :**

for visual comfort, avoiding unnecessary glare and reducing light pollution.

**“A” Type Spill ring**



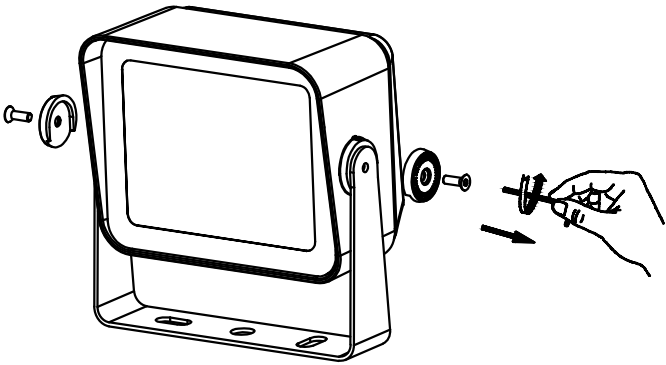
**“B” Type Honeycomb louver**



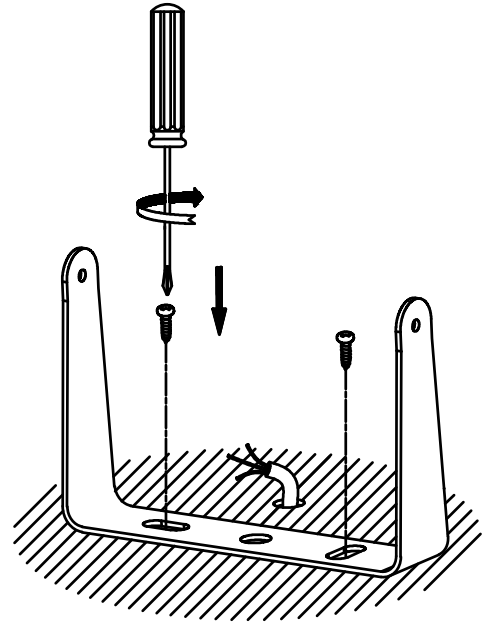
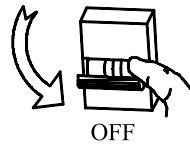
**Normally Type -Decorative plate**



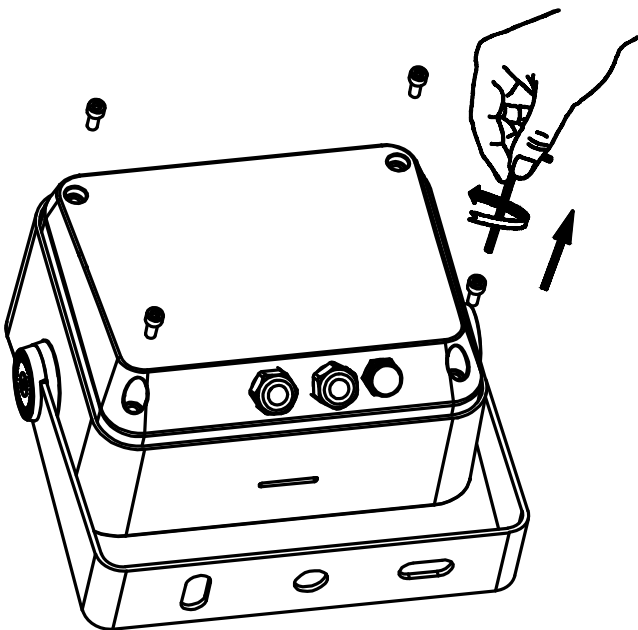
1



2

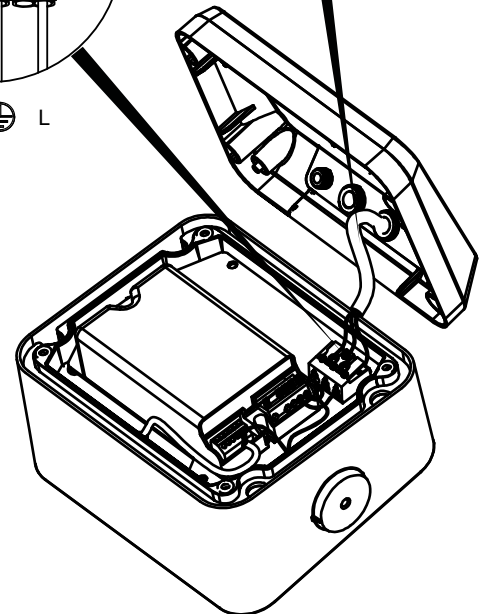
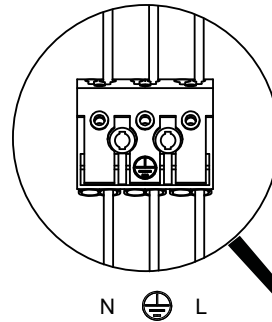
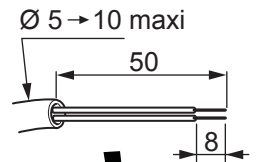


3

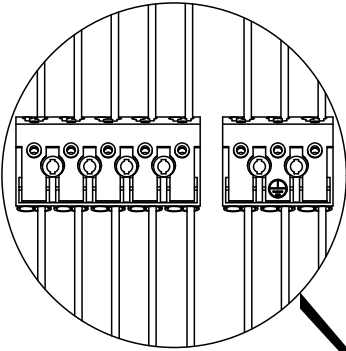
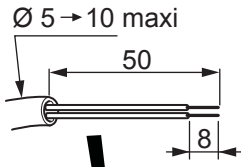


4

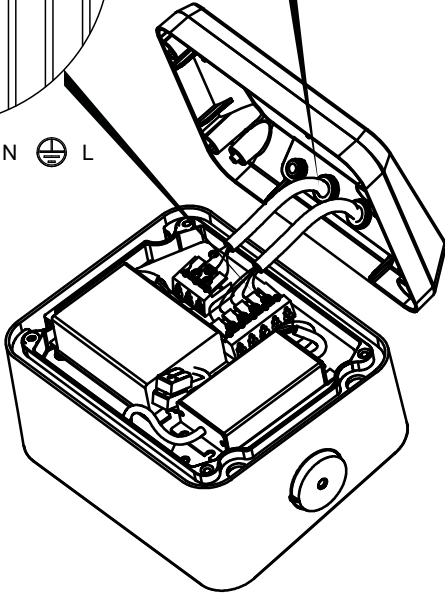
MONO 110 - 240V



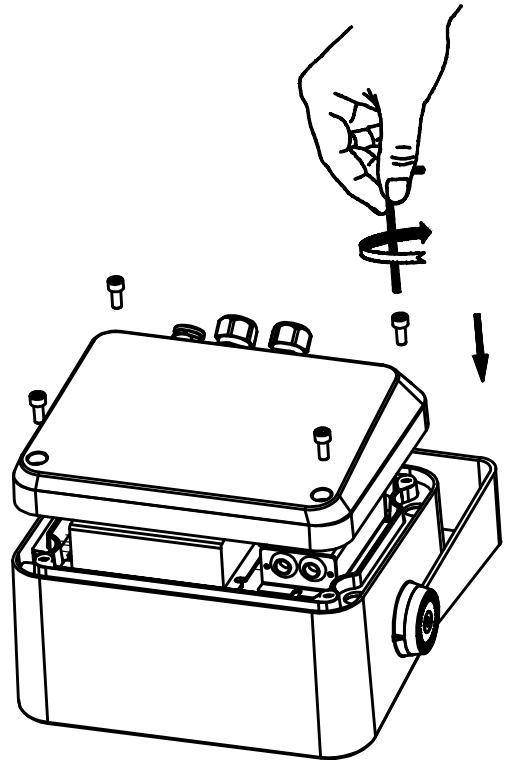
5 RGBW 110 - 240V



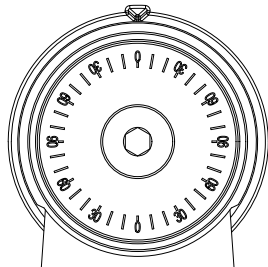
D+ D- GND PO PI N L  
DMX



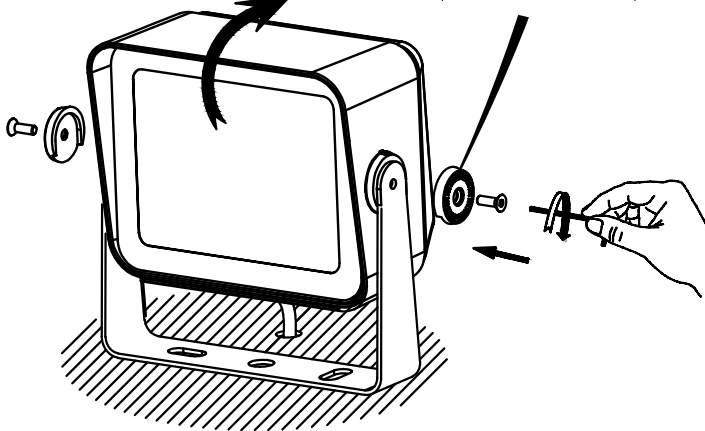
6



7



Rotate



8

