

FLAYE-G2

60W-150W IP66

CB      **ZigBee®**



LED Tunnel / Flood Light is finished by die-cast aluminium with separated and integrated LED driver box , with mechanical and chemical anti-corrosion treatment, uv resistant exterior paint system and flat tempered glass cover, double chromed steel plate after painting. It's as well a great alternative to urban furniture due to its IP66 protection rating and IK 10 Impact protection. And, It is able to be controlled by 0-10V,DALI,Zigbee dimming system.

FLAYE-G2

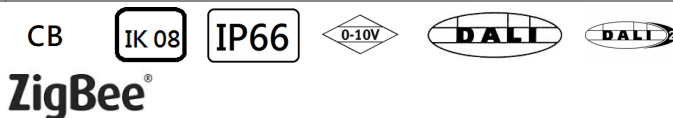
60W-150W IP66

DIMON
TECHNOLOGY

Technical Data

Luminaire Type-安裝方式/Tipo de luminaria	Ceiling Mount (Adjustable) 支架安裝/Poste de montaje del soporte
Power Consumption with LED Driver LED燈具包括LED驅動電源功率 Consumo de energía con controlador de LED	60W 90W 120W 150W
Input Voltage / 輸入電壓 Voltaje de entrada	AC220-240V 50 / 60 Hz
Control Protocol/控制協議 Protocolo de Control	0-10V / Dali
Power Factor / 功率因數/Factor de potencia	PF>0.9
Total Harmonic Distortion/總諧波失/Distorsión armónica total	THD<20%
Protection Against Surges/防護措施/PROTECCIÓN CONTRA LAS PROMOCIONES:	6KV line-line, 10KV line-earth
Light Source Brand-光源品牌-Fuente de luz de marca	LED 3030
LED Life-LED壽命-La vida del LED	100,000 hours
Color Temperature and Color 色溫 and 顏色 Temperatura y color del color	2700K / 3000K / 4000K / 5000K / 6500K
"Lumen Maintenance LM-80 Reported by TM-21"	L70 > 60,000hrs
Color Rendering Index-顯色指數 Índice de reproducción cromática	>70 >80
MacAdam Ellipses Binning 麥克亞當橢圓分級 Mac Adam binning elipse	Standard Deviation Colour Matching < 3 SDCM 標準偏差配色 < 3 SDCM Coincidencia de color estándar Desviación < 3 SDCM
Beam Angle光束角 ángulo de haz	Asymmetric: R01203 R01205 R01207 R01208 R01202
Luminaire Efficacy燈具效率 La eficacia de la luminaria	120 Lm/w(2700K), 120 Lm/w(3000K), 130 Lm/w(4000K), 140 Lm/w(5000K), 140 Lm/w(6500K),
LED Source Luminous EfficacyLED光源光效 Fuente luminosa LED Eficacia	150 Lm/w(2700K), 150 Lm/w(3000K), 160 Lm/w(4000K), 170 Lm/w(5000K), 170 Lm/w(6500K),
Housing materials 外殼材料 Materiales de la carcasa	Die-cast aluminium and Tempered Glass 壓鑄鋁和鋼化玻璃 Aluminio fundido a presión y Vidrio templado
Housing Color 外殼顏色 color de la carcasa	Polyester Powders Coating (RAL 9006 Silver). 聚酯粉末塗料(RAL 9006 銀灰色) Polvos de poliéster Revestimiento (RAL 9006 Plata).
Ingress Protection-防護等級 Protección de ingreso	IP66
Mech impact protection 機械衝擊保護 Protección contra impactos mecánicos	IK08
Operating Temperature Range / 工作溫度範圍 Rango de temperatura de funcionamiento	-30 °C / +50 °C
Operating Humidity -工作濕度 Humedad de funcionamiento	0~100%, non-condensing-不結霜 sin condensación
Dimension尺寸/Dimensión	60W 90W 120W L: 459xW: 206x H149 mm 150W L: 510xW: 206x H149 mm
Net Weight /Gross Weight淨重/毛重 Peso Neto / Peso bruto	3.4kg / 3.9kg @ 60W 3.6kg / 4.3g @ 90W 3.8kg / 4.4g @ 90W 4.0kg / 4.5kg @ 150W
Certificate Standard Complied 符合安規標準 estándar certificado de cumplimiento	LED Luminaries: IEC / EN 60598-1;IEC/EN 60598-2-5; IEC TR62778 IEC62471 (RG1); IEC 62031; EN62493 RoHS LED Driver: IEC/EN 61347-1; IEC/EN 61347-2-13; IEC/EN 62384; IEC/EN 61000-3-2; IEC/EN 61000-3-3;IEC/EN61574;EN 55015

Certification-認證-Certificación



Project	Fixture#	Date
		Firm

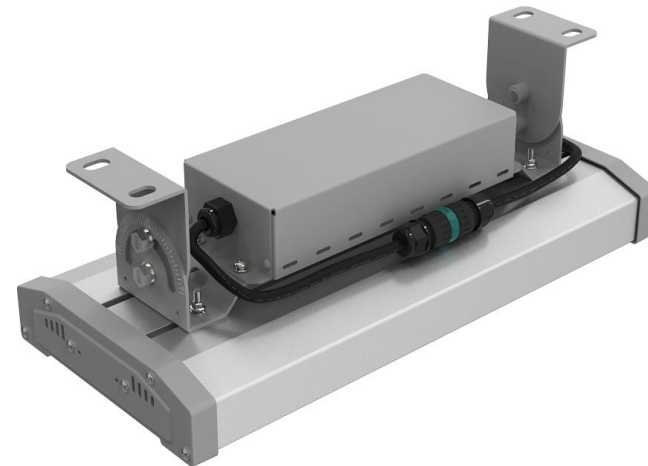
Ordering Information

Choose the option that suits your need and write its corresponding code on the appropriate line to form the product code.

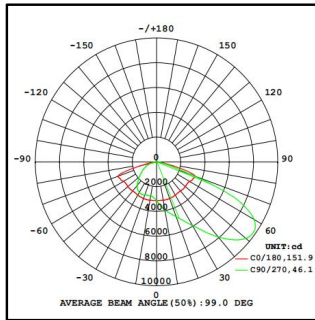
Example product code:

FLAYE- - _____
POWER
CONSUMPTION

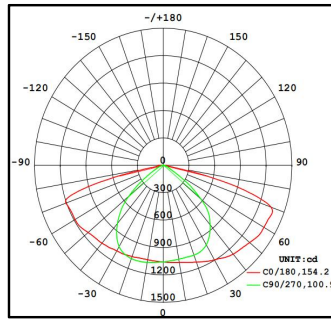
POWER CONSUMPTION	
Code	Description
60W	60W
90W	90W
120W	120W
150W	150W



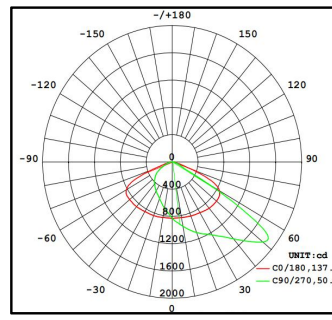
BEAM ANGLE



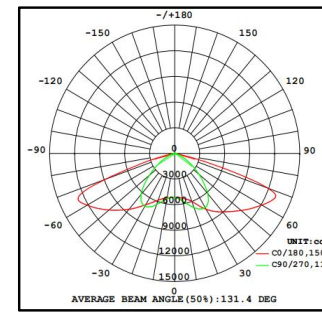
R01203(TYPE III M)



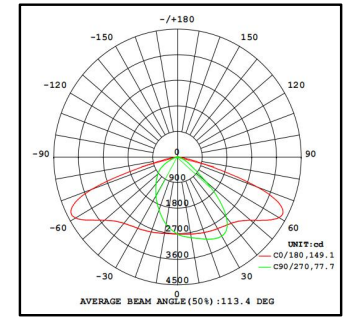
R01205(TYPE II M)



R01207(TYPE III S)

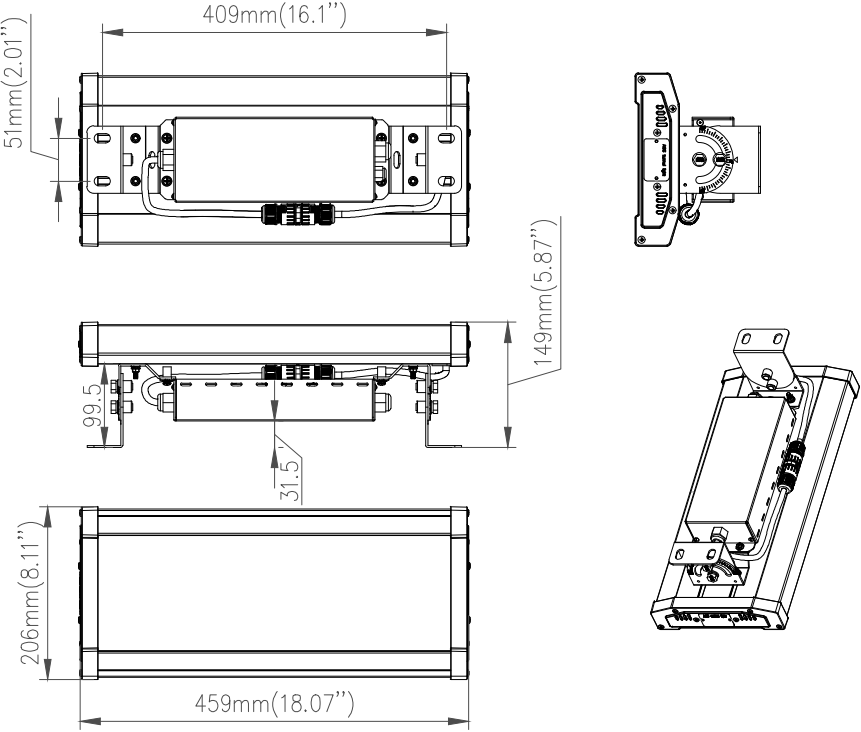


R01208(TYPE I M)

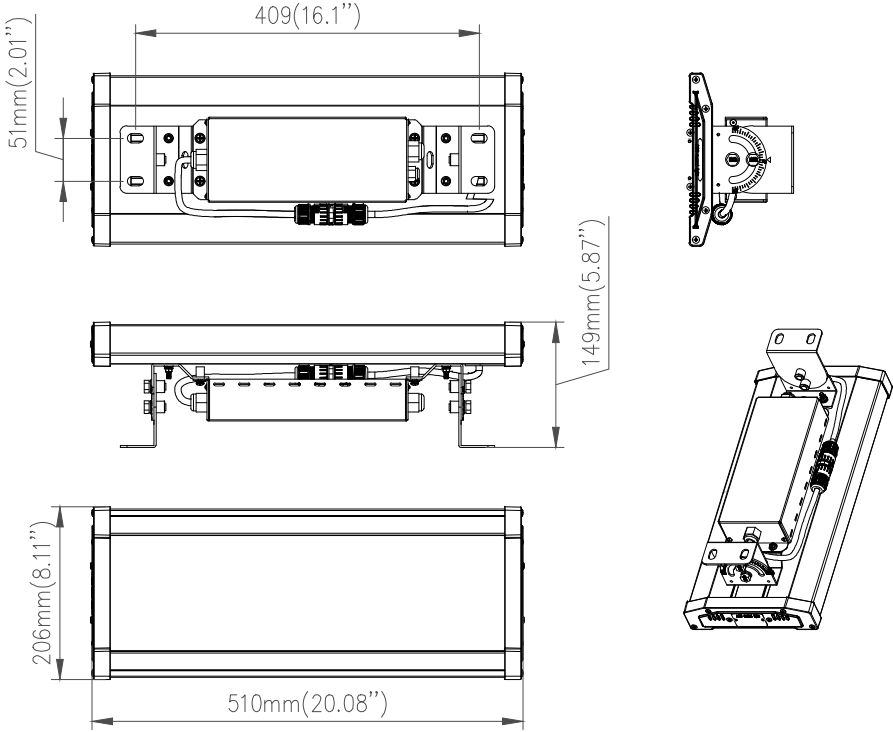


R01202(Type II-short)

Technical Drawing



FLAYE-G2-60W/90W/120W



FLAYE-G2-150W

Unit: mm