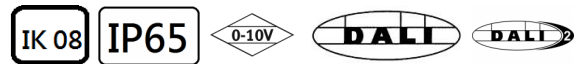


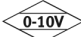

HAMILTON X

12W Max IP65



- Aluminum die casting cover and installation connector, simple and practical shape.
- High transparent PC diffuser, it can effectively prevent yellowing and aging.
- Indirect light luminaire for use with led, which has high visual comfort.
- High quality LED chips, Driver with 0-10V/DALI/programmed options.
- Surface anti-ultraviolet pure polyester powder painting.
- No photo-biological risk, in accordance with EN 62471:2008.

Technical Data

Installation method / 安裝方式 Metodo de instalacion	Wall mounted 壁裝式 montado en la pared
Dimension-尺寸-Dimensión	Dia 217 x W 235 x H 270mm
Input Voltage-輸入電壓-Voltaje de entrada	AC220-240V 50/60HZ
Power Consumption Max-燈具功率 Consumo de energía Max	8W 10W 12W
LED Driver Type LED驅動款式 Tipo de controlador LED	Integrated-type LED Driver--Refer to LED driver specification 請參閱LED驅動器規格 Consulte la especificación de controlador de LED 1. ON/OFF Switch AC220-240V 50/60HZ 2. 1-10V Dimming Driver AC220-240V 50/60HZ 3. Dali Dimming Driver AC220-240V 50/60HZ 4. Remote Emergency Backup >2 hours or >3 hours @ < 12 charger hours應急電池/Copia de seguridad de emergencia
Power Factor / 功率因數 Factor de potencia:	>0.9
Control Protocol-控制協議 Protocolo de Control	ON/OFF DALI Control 1-10V Control
Beam Angle光束角ángulo de haz	360°
Light Source Brand-光源品牌-Fuente de luz de marca	CREE / Osram
Lumen Maintenance LM-80 Reported by TM-21	L70 > 54,000 hrs
LED Life-LED壽命-La vida del LED	100,000 hrs
Color Temperature -色溫 Temperatura del color	3000K / 4000K / 5000K
Color Rendering Index-顯色指數 Índice de reproducción cromática	> 80
MacAdam Ellipses Binning 麥克亞當橢圓分級 Mac Adam binning elipse	Standard Deviation Colour Matching < 3 SDCM 標準偏差配色 < 3 SDCM Coincidencia de color estándar Desviación < 3 SDCM
Luminaire Efficacy 燈具效率 La eficacia de la luminaria	85 Lm/w(3000K) 85 Lm/w(4000K) 90 Lm/w(5000K)
LED Source Luminous Efficacy LED光源光效 Fuente luminosa LED Eficacia	150 Lm/w(3000K), 150 Lm/w(4000K), 160Lm/w(5000K)
Housing materials-外殼材料 Materiales de la carcasa	Die-cast aluminium and Anti-UV Polycarbonate Diffuser 壓鑄鋁和抗紫外線PC罩 Aluminio inyectado y Difusor de Policarbonato Anti-UV
Housing Color外殼顏色 color de la carcasa	Polyester powders Coating--Matte Black RAL9005 / Grey RAL9006 / Matte White RAL9003 聚酯粉末塗料—啞光黑 RAL 9005 / 灰色 RAL 9006 / 啞光白 RAL 9003 Revestimiento en polvo de poliéster: negro mate RAL 9005 / gris RAL 9006 / blanco mate RAL 9003
Ingress Protection-防護等級 Protección de ingreso	IP65
Mech impact protection 機械衝擊保護 Protección contra impactos mecánicos	IK08
Operating Humidity -工作濕度 Humedad de funcionamiento	0~100%, non-condensing-不結霜 sin condensación
Operating Temperature Range / 工作溫度範圍 Rango de temperatura de funcion amento	-20 °C / +50 °C
Certification-認證-Certificación	    

Project	Fixture#	Date
		Firm



Ordering Information

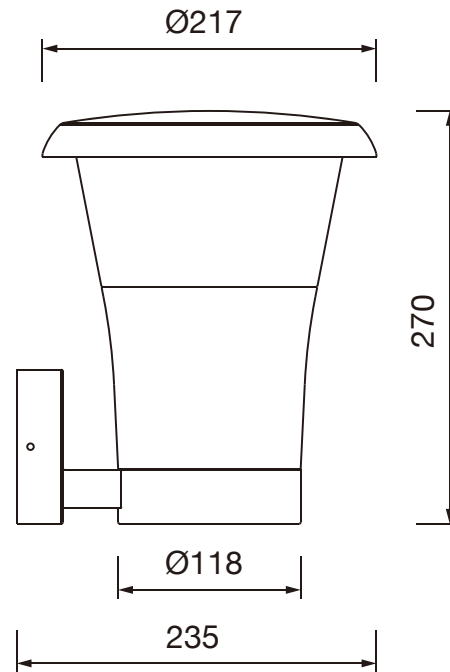
Choose the option that suits your need and write its corresponding code on the appropriate line to form the product code.

Example product code: [HAMILTON-10W](#)

HAMILTON - - _____
Power Consumption

Power Consumption	
Code	Description
8W	8W
10W	10W
12W	12W

Technical Drawing



Unit: mm