

LNOVO-X

40W Max



Bright silver





It adopts louver reflectors to reflect lighting so that it can have a higher lighting transmittance ratio and reduce the glare, all users will have a comfortable visual experience. It can do suspended/surface mounted/recessed installation.

- UGR < 19 Anti-glare design,
- High lumen efficiency, 140lm/w.
- Installation ways: Suspended/surface mounted/Recessed.
- External Flicker free driver.
- Dimming ways: 0-10V,Dali.b

Technical Data

Luminaire Type-安裝方式Tipo de luminaria

Suspended/surface mounted/Recessed 懸掛式/表面安裝式/嵌入式

Dimension-尺寸-Dimensión	Refer to drawing 參考圖紙																				
Power Consumption Max-燈具功率 Consumo de energía Max	<table border="0"> <tr> <td>W: 295* L: 595* H31.5mm</td> <td>: 12W</td> <td>18W</td> <td>Cut-off: 570*270mm</td> </tr> <tr> <td>W: 595* L: 595* H31.5mm</td> <td>: 25W</td> <td>34W</td> <td>Cut-off: 570*570mm</td> </tr> <tr> <td>W: 620* L: 620* H31.5mm</td> <td>: 25W</td> <td>34W</td> <td>Cut-off: 595*595mm</td> </tr> <tr> <td>W: 295* L: 1195* H31.5mm</td> <td>:25W</td> <td>34W</td> <td>Cut-off: 1170*270mm</td> </tr> <tr> <td>W: 595* L: 1195* H31.5mm</td> <td>:36W</td> <td>40W</td> <td>Cut-off: 1170*570mm</td> </tr> </table>	W: 295* L: 595* H31.5mm	: 12W	18W	Cut-off: 570*270mm	W: 595* L: 595* H31.5mm	: 25W	34W	Cut-off: 570*570mm	W: 620* L: 620* H31.5mm	: 25W	34W	Cut-off: 595*595mm	W: 295* L: 1195* H31.5mm	:25W	34W	Cut-off: 1170*270mm	W: 595* L: 1195* H31.5mm	:36W	40W	Cut-off: 1170*570mm
W: 295* L: 595* H31.5mm	: 12W	18W	Cut-off: 570*270mm																		
W: 595* L: 595* H31.5mm	: 25W	34W	Cut-off: 570*570mm																		
W: 620* L: 620* H31.5mm	: 25W	34W	Cut-off: 595*595mm																		
W: 295* L: 1195* H31.5mm	:25W	34W	Cut-off: 1170*270mm																		
W: 595* L: 1195* H31.5mm	:36W	40W	Cut-off: 1170*570mm																		
Input Voltage-輸入電壓-Voltaje de entrada	AC220-240V 50/60HZ																				
LED Driver TypeLED驅動款式 Tipo de controlador LED	<p>Remoted-type LED Driver--Constant Current LED Driver: Refer to LED driver specification 請參閱LED驅動器規格 Consulte la especificación de controlador de LED</p> <ol style="list-style-type: none"> 1. ON/OFF Switch AC100-240V 50/60HZ 2. 0-10V Dimming Driver AC100-240V 50/60HZ 3. Dali Dimming Driver AC100-240V 50/60HZ 4. Emergency Backup >2 hours or >3 hours @ < 12 charger hours 應急電池/Copia de seguridad de emergencia 																				
LED Driver Features驅動特性 Funciones del controlador de LED	POWER FACTOR : PF>0.90 @ Full Load TOTAL HARMONIC DISTORTION: THD< 20%																				
Control Protocol-控制協議 Protocolo de Control	0-10V / Dali / DMX 512																				
Beam Angle/光束角 ángulo de haz	60°																				
Light Source Brand-光源品牌-Fuente de luz de marca	SMD LED																				
"Lumen Maintenance LM-80 Reported by TM-21"	L70 > 60000hours																				
LED Life-LED壽命-La vida del LED	>60,000 hours																				
Color Temperature -色溫 Temperatura del color	2700K / 3000K / 4000K / 5000K / 6500K																				
Color Rendering Index-顯色指數 Índice de reproducción cromática	> 80																				
MacAdam Ellipses Binning 麥克亞當橢圓分級 Mac Adam binning ellipse	Standard Deviation Colour Matching < 3 SDCM 標準偏差配色< 3 SDCM Coincidencia de color estándar Desviación < 3 SDCM																				
Luminaire Efficacy燈具效率 La eficacia de la luminaria	110Lm/w(2700K), 110Lm/w(3000K), 125 Lm/w(4000K), 130 Lm/w(5000K), 130 Lm/w(6500K)																				
LED Source Luminous EfficacyLED光源光效 Fuente luminosa LED Eficacia	150Lm/w(2700K), 150Lm/w(3000K), 175 Lm/w(4000K), 190 Lm/w(5000K), 190 Lm/w(6500K)																				
Housing materials-外殼材料 Materiales de la carcasa	Aluminium Alloy and Polycarbonate Reflector 鋁合金和PC反光杯 Aleación de aluminio y difusor de policarbonato																				
Housing Color外殼顏色 color de la carcasa	White 白色																				
Ingress Protection-防護等級 Protección de ingreso	IP40																				
Mech impact protection 機械衝擊保護 Protección contra impactos mecánicos	IK06																				
Operating Temperature Range / 工作溫度範圍 Rango de temperatura de funcion amiento	0~90%, non-condensing-不結霜 sin condensación																				
Operating Temperature Range / 工作溫度範圍 Rango de temperatura de funcion amiento	-30 °C / +50 °C																				
Comply Testing Standard 符合測試標準 Cumplir el estándar de prueba	<p>LED Luminaries: LVD: IEC/EN 60598-1;EN / IEC/EN 60598-2-1;IEC62471;IEC/EN 62031; IEC/EN 62493 ; IEC/EN 62471 (Risk Group 1)</p> <p>LED Driver: IEC/EN 61347-1; IEC/EN 61347-2-13; IEC/EN 62384; IEC/EN 61000-3-2; IEC/EN 61000-3-3;IEC/EN61574;EN 55015 ; IEC /EN 62384</p>																				
Certification-認證-Certificación	   																				

Project	Fixture#	Date
		Firm

Ordering Information

Choose the option that suits your need and write its corresponding code on the appropriate line to form the product code.

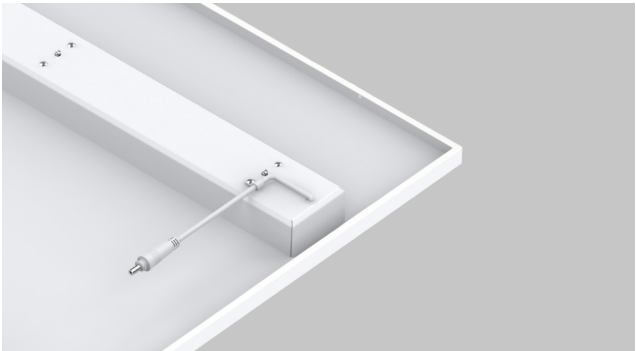
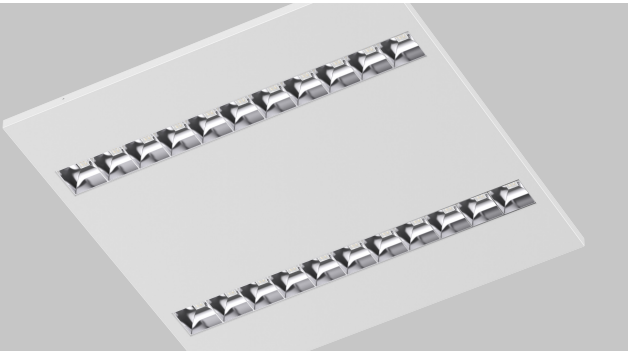
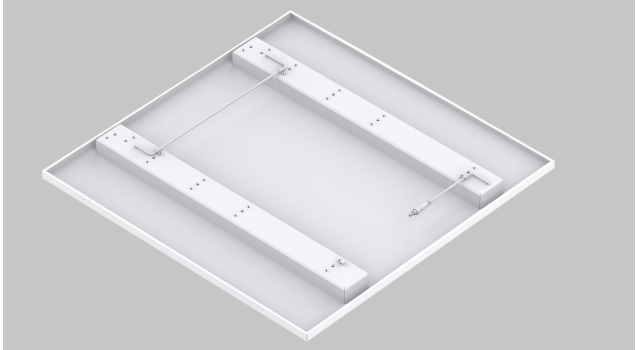
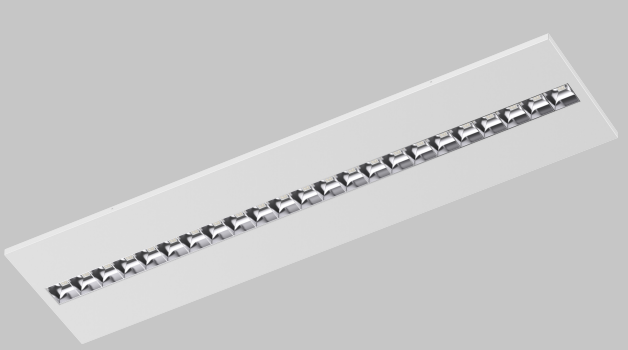
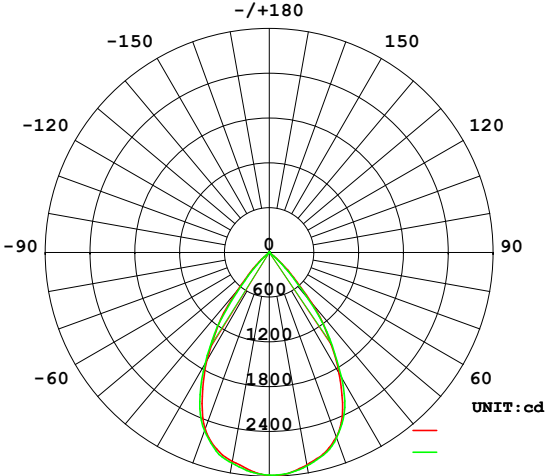
Example product code: [LNOVO-34W](#)

LNOVO - - _____
Power Consumption

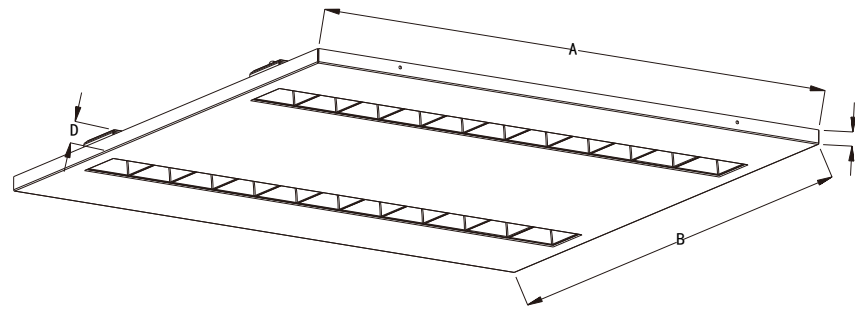
Power Consumption	
Code	Description
12W	12W @ W: 295* L: 595* H31.5mm
18W	18W @ 295* L: 595* H31.5mm
25W	25W @ W: 595* L: 595* H31.5mm
25W	25W @ W: 620* L: 620* H31.5mm
25W	25W @W: 295* L: 1195* H31.5mm
34W	34W @ W: 595* L: 595* H31.5mm
34W	34W @ W: 620* L: 620* H31.5mm
34W	34W @W: 295* L: 1195* H31.5mm
36W	36W @ W: 595* L: 1195* H31.5mm
40W	40W @ W: 595* L: 1195* H31.5mm



BEAM ANGLE



Technical Drawing



Measurement

Code	Dimension(mm)				Size(mm)	Product Weight (Kg)		Package weight (Kg)		Carton Size(cm)	Qty/CTN	20GP (pcs)	40HQ (pcs)
	A	B	C	D		N.W/PC	G.W/PC	N.W/CTN	G.W/CTN				
3060	595	295	11	31.5	595*295*31.5	1.47	1.71	7.4	9.3	69.5*24*35	5	2160	5355
6060	595	595	11	31.5	595*595*31.5	2.7	3.15	13.5	17.0	69.5*24*65	5	1200	3060
6262	620	620	11	31.5	620*620*31.5	2.9	3.36	14.5	18.2	72*24*67.5	5	1200	2670
30120	1195	295	11	31.5	1195*295*31.5	2.74	3.24	13.7	17.6	130*24*35	5	1170	2905
60120	1195	595	11	31.5	1195*595*31.5	5.28	6.15	10.56	13.7	130*10.5*65	2	564	1472

Unit: mm

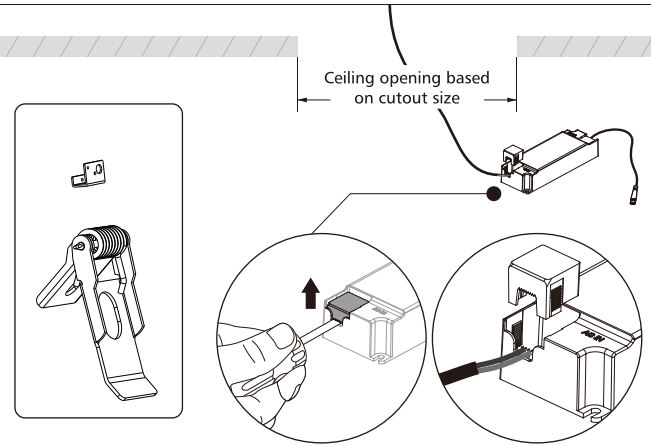
Recessed(1)

DIMON
TECHNOLOGY

Cutout Size

Panel Size	Cutout
295x595mm	270x570mm
595x595mm	570x570mm
620x620mm	595x595mm
295x1195mm	270x1170mm
595x1195mm	570x1170mm

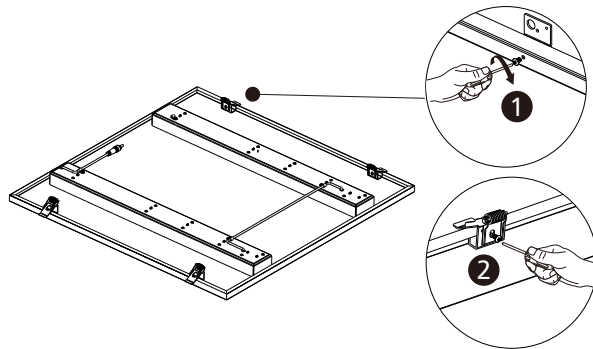
Clips should be purchased separately as an accessory



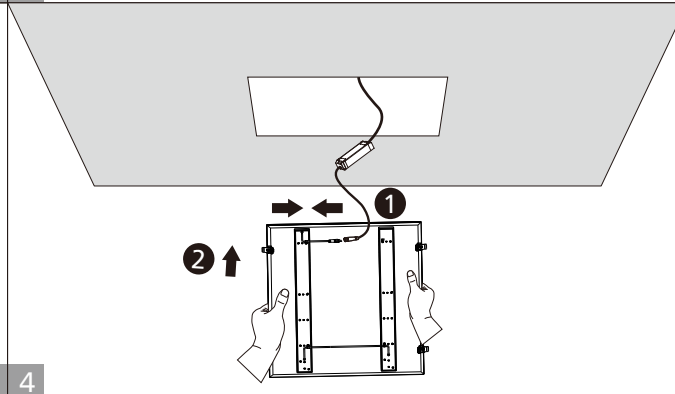
Installation Procedure

WARNING ⚡

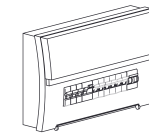
1. Switch off before installation.
2. Switch on only after complete installation and examination of the circuit.
3. Professional electrician for installation and maintenance only.



1 2

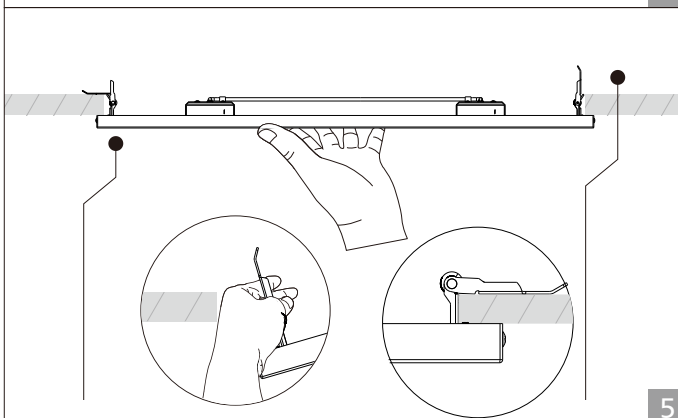


3 4



**Turn Off
Power Supply**

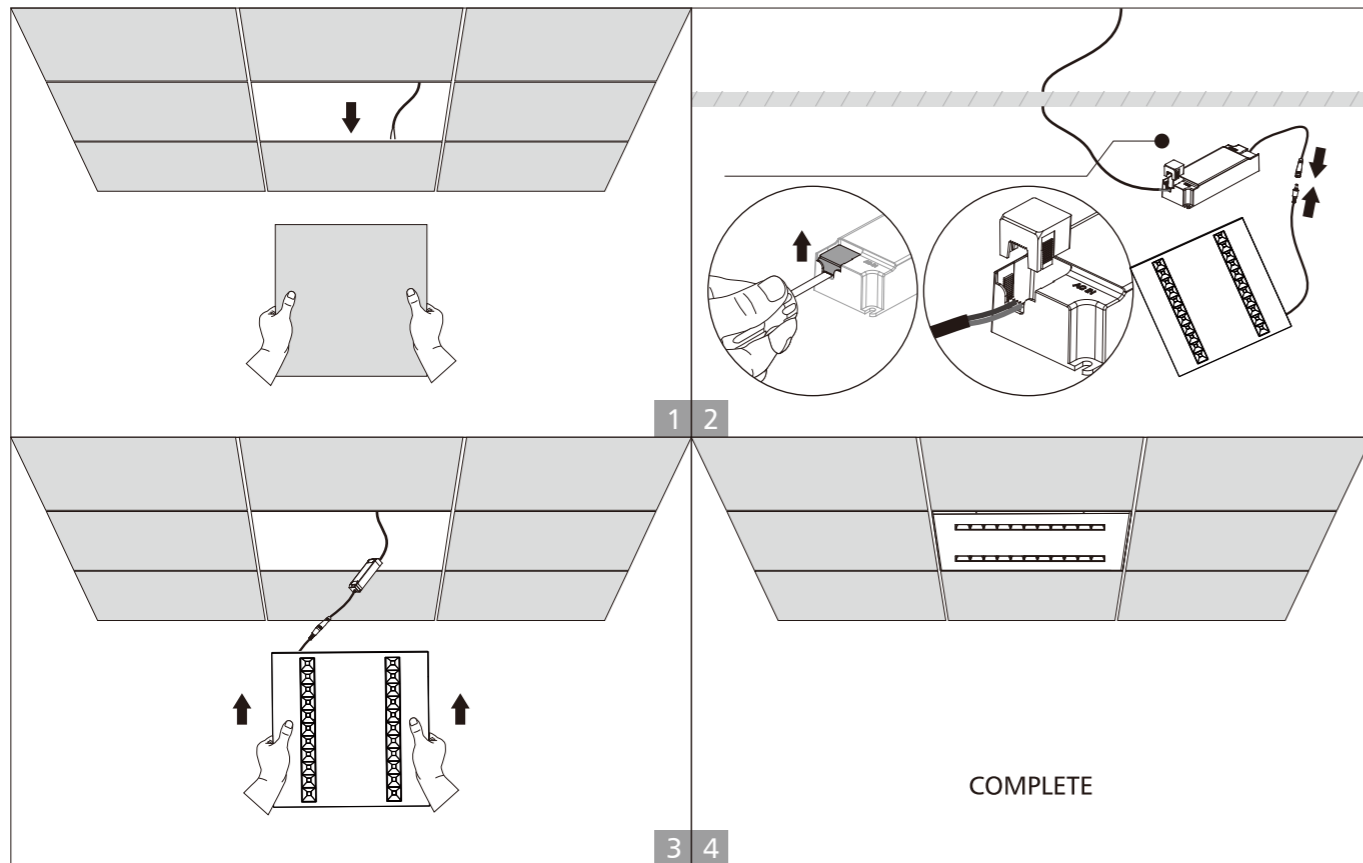
Turn Off power supply before starting any installation.
Read instructions & check you have all the tools & accessories
to complete the installation correctly.



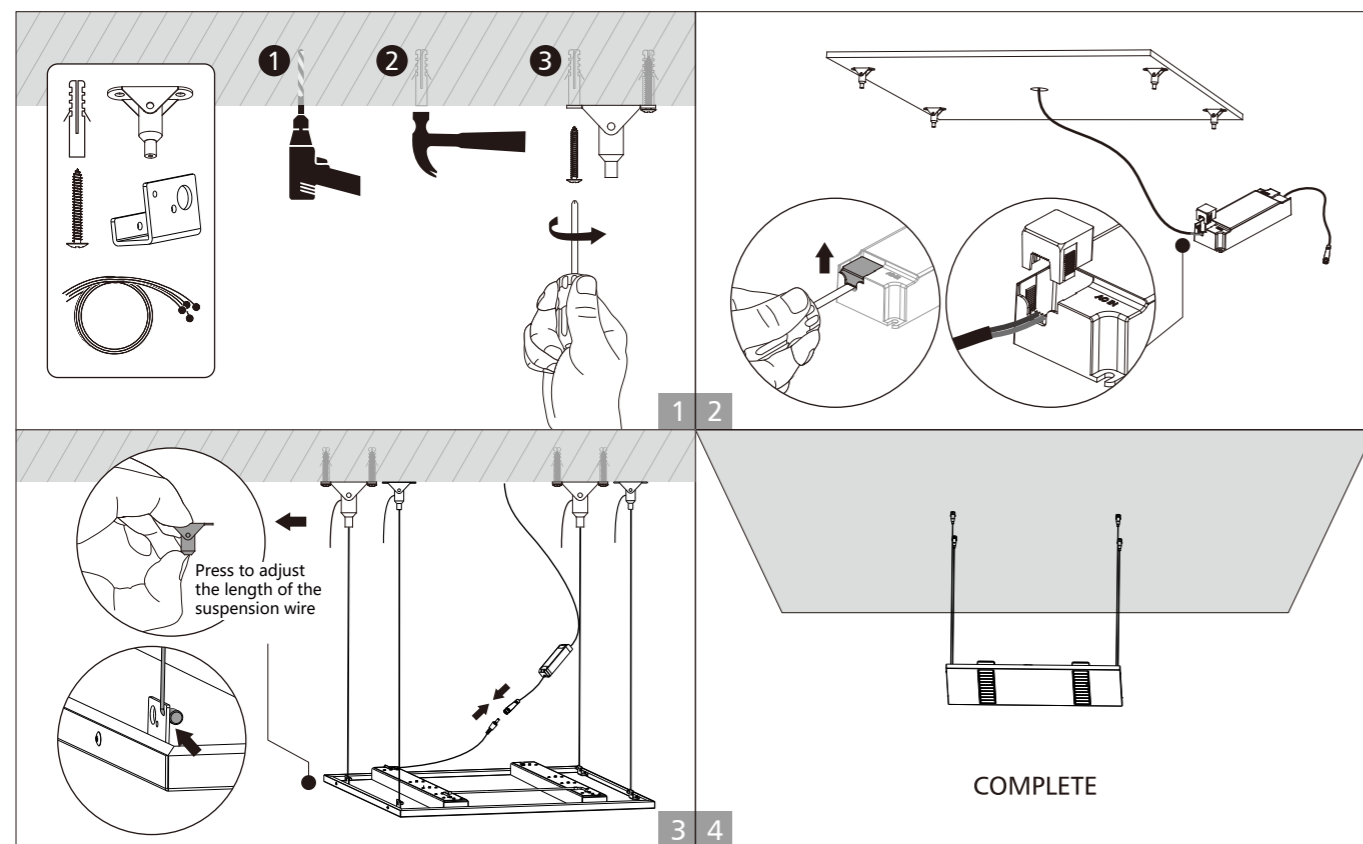
5 6

COMPLETE

■ Recessed(2)



■ Pendant



■ Surface mount

