

PACIFIC- X-12NM

6-12NM Marine Larnern



- User selectable power and flash character settings via DM Bluetooth-Smart App (Android Base)
- Max Distance up to 12nm
- It can be widely used in inland rivers, Coastal and harbor light buoys.
- This series of lamps is composed of LED point light source, lens, solar panel and weather-resistant material base.
- The lamp can easily realize the remote measurement and control of the lantern through the NB-IoT or 4G communication method with DIMON Marine Monitoring system App.
- The GPS high-precision clock is used to realize the synchronous flash function;
- the maximum range is 12 nautical miles, the vertical divergence angle is 2.5 degrees, and the horizontal divergence angle is 360 degrees.

PACIFIC- X-12NM

6-12NM Marine Larnern

Technical Data

Features

Long Life -LED Light Source
Optional GPS synchronisation module
15 levels of luminous intensity adjustment to adapt to different range requirements.
Available in all IALA approved colours
256 user selectable flash characters and selectable daylight sensor
User selectable power and flash character settings via BLUE-Tooth 5.0 up to 80meter
Optional Control protocol : NB-IoT for Long Distance Wireless control
Optional GNSS synchronized-control flash function by GPS or BDS
Optional 4G wireless DIMON Monitoring system for comprehensive fault alarm and status monitoring.
Ingress Protection: IP67

Selectable Range (T=0.74)	6-12 nautical miles selectable
Available Colours	Red Green Yellow White
Visibility	360° horizon (omnidirectional)360°
Vertical Divergence	2.5°
Flash Codes	Up to 256 codes IALA , field selectable
Synchronisation	GPS-Global Positioning System or BDS-BeiDou Navigation Satellite
Daylight (Lux) Sensor	Default 300Lux (100~1000Lux adjustable)
POWER LED Lamp Input Voltage	40W DC10-30V
Control Protocol Selection:	BLUE Tooth 5.0 up to 80meter for IALA Flasing Code, Lux Sensor and Distance setting. Settting and Monitoring by DM Bluetooth -Smart App Setting AIS 4G Wireless control system: Overvoltage and Undervoltage, Fault, Position offset report by PC IOT Software
Net Weight	18KG
Dimension	Dia 320mm x H:305mm
Operating Temperature Range	-30° to +60°C
Ingress Protection	IP 67
Housing materials	UV resistant molded polycarbonate
Certification	



Project	Fixture#	Date
		Firm



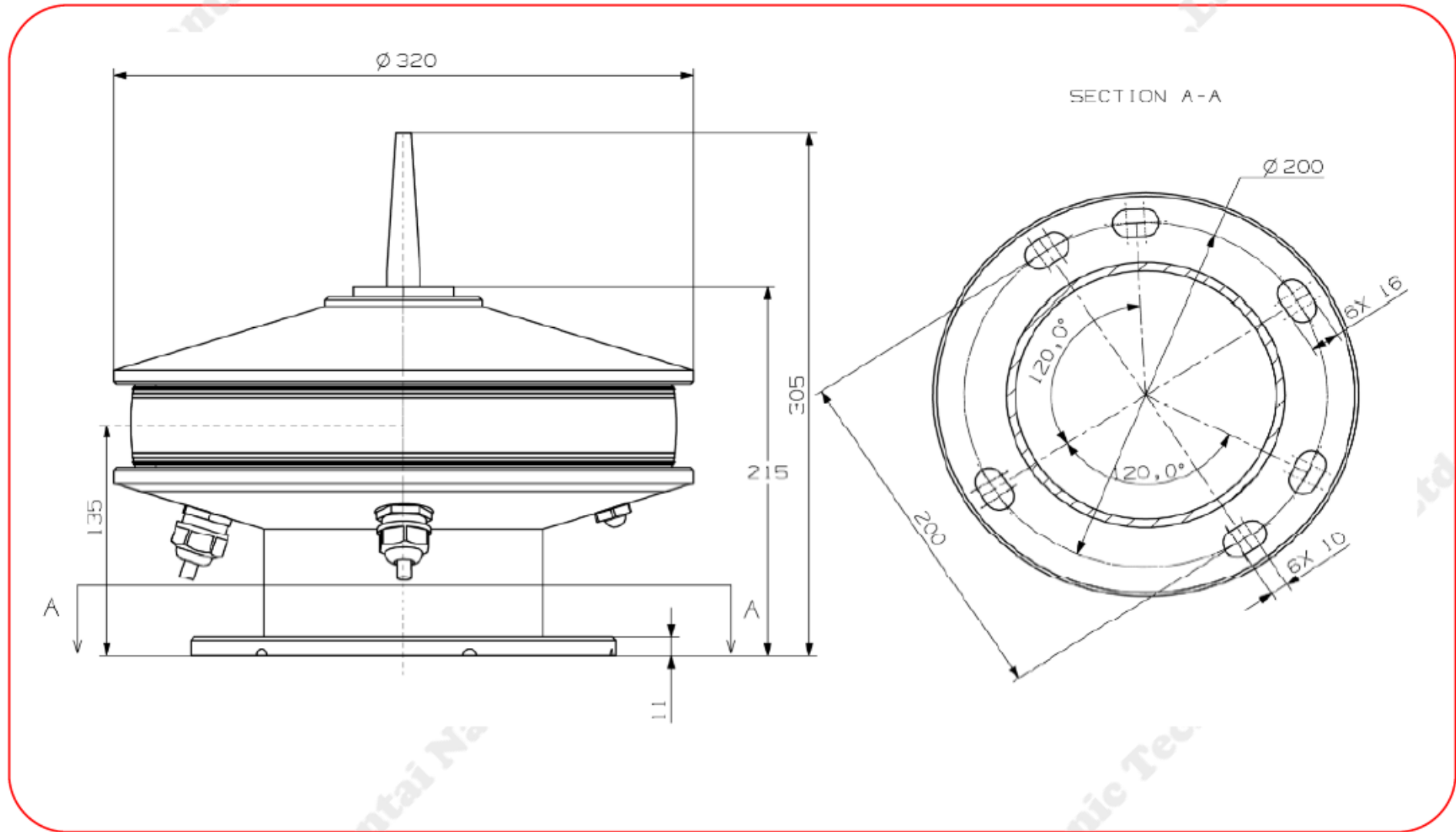
Ordering Information

Choose the option that suits your need and write its corresponding code on the appropriate line to form the product code.

Example product code: [PACIFIC-X-12NM-R-GPS](#)

PACIFIC-X-12NM - - _____ - _____ - _____
Color
Synchronisation
Control

Color		Synchronisation		Control	
Code	Description	Code	Description	Code	Description
R	Red	GPS	GPS	AIS	AIS
G	Green	BSD	BDS-BeiDou Navigation Satellite	4G	4G Wireless control system
Y	Yellow				
W	White				



Unit: mm