

## PACIFIC- X-15NM

10-15NM Marine Lantern



- User selectable power and flash character settings via DM Bluetooth-Smart App (Android Base)
- Max Distance up to 15nm
- It can be widely used in inland rivers, Coastal and harbor light buoys.
- This series of lamps is composed of LED point light source, lens, solar panel and weather-resistant material base.
- The lamp can easily realize the remote measurement and control of the lantern through the NB-IoT or 4G communication method with DIMON Marine Monitoring system App.
- The GPS high-precision clock is used to realize the synchronous flash function;
- The maximum range is 15 nautical miles, the vertical divergence angle is 2.5 degrees, and the horizontal divergence angle is 360 degrees.

[www.dimontechnology.com](http://www.dimontechnology.com)

# PACIFIC- X-15NM

10-15NM Marine Lartern

## Technical Data

### Features

Long Life -LED Light Source  
Optional GPS synchronisation module  
15 levels of luminous intensity adjustment to adapt to different range requirements.  
Available in all IALA approved colours  
256 user selectable flash characters and selectable daylight sensor  
User selectable power and flash character settings via BLUE-Tooth 5.0 up to 80meter  
Optional Control protocol : NB-IoT for Long Distance Wireless control Optional GNSS synchronized-control flash function by GPS or BDS Optional 4G wireless DIMON Monitoring system for comprehensive fault alarm and status monitoring.  
Ingress Protection: IP67

Selectable Range (T=0.74)	10-15 nautical miles selectable
Available Colours	<ul style="list-style-type: none"><li>• Red</li><li>• Green</li><li>• Yellow</li><li>• White</li></ul>
Visibility	360° horizon (omnidirectional)360°
Vertical Divergence	2.5°
Flash Codes	Up to 256 codes IALA , field selectable
Synchronisation	GPS-Global Positioning System or BDS-BeiDou Navigation Satellite
Daylight (Lux) Sensor	Default 300Lux (100~1000Lux adjustable)
POWER LED Lamp Input Voltage	300W DC24V
Control Protocol Selection:	<ul style="list-style-type: none"><li>• BLUE Tooth 5.0 up to 80meter for IALA Flasing Code, Lux Sensor and Distance setting. Setting and Monitoring by DM Bluetooth -Smart App Setting</li><li>• AIS</li><li>• 4G Wireless control system: Overvoltage and Undervoltage, Fault, Position offset report by PC IOT Software</li></ul>
Net Weight	18KG
Dimension	Dia 320mm x H:383 mm
Operating Temperature Range	-30° to +60°C
Ingress Protection	IP 67
Housing materials	UV resistant molded polycarbonate

### Certification



Project	Fixture#	Date
		Firm

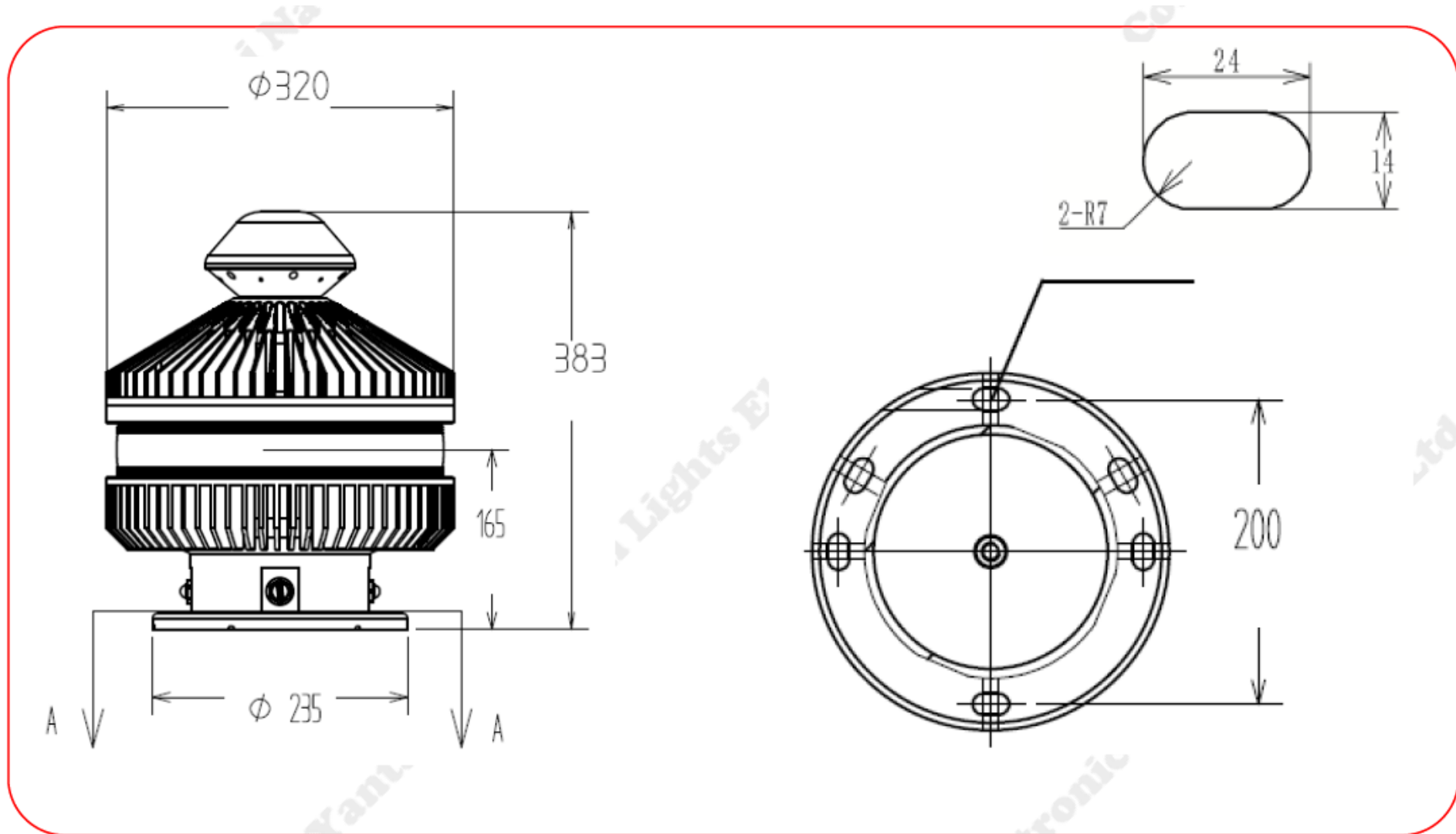
## Ordering Information

Choose the option that suits your need and write its corresponding code on the appropriate line to form the product code.

Example product code:

PACIFIC-X-15NM - - -  
Color
Synchronisation
Control

Color		Synchronisation		Control	
Code	Description	Code	Description	Code	Description
R	Red	GPS	GPS	AIS	AIS
G	Green	BSD	BDS-BeiDou Navigation Satellite	4G	4G Wireless control system
Y	Yellow				
W	White				



Unit: mm