

SCOTT-G2

Neon Light 20x20mm

CB

IP67

0-10V

DALI

DALI2



- Seamless, dot free, uniform light output.
- Bendable at vertical or horizontal direction.
- Robust housing with high quality silicon.
- UV proof for true outdoor application.
- Easy installation with clips or profile
- Cuttable for flexible use.

Technical Data

Installation method / 安裝方式
Metodo de instalacion

Surface Mounted Type / 明裝式燈具 / Superficie Tipo Montado

Power Consumption / LEDs Qty
燈具功率 / LED 燈珠數量
Consumo de energía / Cantidad de LED

4W / Meter @ 180 PCS LED Min. Cutting Length: 33.3mm @ 6 pcs LEDs (DC 24V)
5W / Meter @ 180 PCS LED Min. Cutting Length: 33.3mm @ 6 pcs LEDs (DC 24V)
6W / Meter @ 180 PCS LED Min. Cutting Length: 33.3mm @ 6 pcs LEDs (DC 24V)
8W / Meter @ 180 PCS LED Min. Cutting Length: 33.3mm @ 6 pcs LEDs (DC 24V)
10W / Meter @ 180 PCS LED Min. Cutting Length: 33.3mm @ 6 pcs LEDs (DC 24V)
15W / Meter @ 180 PCS LED Min. Cutting Length: 33.3mm @ 6 pcs LEDs (DC 24V)
18W / Meter @ 180 PCS LED Min. Cutting Length: 33.3mm @ 6 pcs LEDs (DC 24V)

LED Driver Type
LED驅動款式
Tipo de controlador LED

Remote-type LED Driver--Refer to LED driver specification 請參閱LED驅動器規格
Consulte la especificación de controlador de LED
1. ON/OFF Switch AC220-240V 50/60HZ
2. 0/1 -10V Dimming Driver AC220-240V 50/60HZ
3. DALI Dimming Driver AC220-240V 50/60HZ
4. DMX Driver AC220-240V 50/60HZ (Dimming range from 0-100%)
5. RDM Driver AC220-240V 50/60HZ

Input Voltage / 輸入電壓
Voltaje de entrada

DC 24V

Color Temperature / 色溫
Temperatura de color

2700K / 3000K / 4000K / 6500K

Color Rendering Index / 顯色指數
Índice de reproducción cromática

> 80 @ Mono White

Lumen Maintenance LM-80 Reported by TM-21

L70 > 54,000 hours

LED Life / LED壽命 / La vida del LED

>100,000 hours

LED Chips Brand / LED晶片品牌
Marca de chips LED

Epistar

Beam Angle / 光束角 ángulo de haz

120°

MacAdam Ellipses Binning
麥克亞當橢圓分級
Mac Adam binning ellipse

Standard Deviation Colour Matching < 3 SDCM
標準偏差配色 < 3 SDCM
Coincidencia de color estándar Desviación < 3 SDCM

Luminaire Efficacy / 燈具效率
La eficacia de la luminaria

Side Light
40 LM/W (2700K) 45 LM/W (3000K) 45 LM/W (4000K) 50 LM/W (6500K)
Front Light
45 LM/W (2700K) 50 LM/W (3000K) 50 LM/W(4000K) 55 LM/W (6500K)

Housing materials / 外殼材料
Materiales de la carcasa

Silicone / 矽膠 / Silicona

Bending Direction / 可彎曲方向 / Dirección de flexión

Vertical Bending or Horizontal Bending.

Minimum Bend Diameter / 最小彎曲直徑
Diámetro mínimo de curvatura

Dia 180 mm

Maximum Length Feed
最大連接長度
Longitud máxima del feed

24V: 10m @ Single Feed 單端供電
24V: 20m @ Double Feed 兩端供通

Operating Temperature Range / 工作溫度範圍
Rango de temperatura de funcionamiento

-20 °C / +50 °C

Operating Humidity / 工作濕度
Humedad de funcionamiento

0~90%, non-condensing / 不結霜
sin condensación

Ingress Protection / 防護等級
Protección de ingreso

IP67 - (IEC 60529)

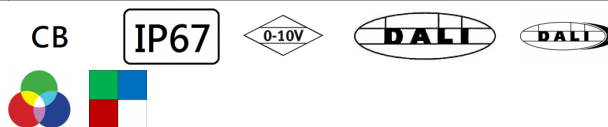
Dimension / 尺寸 / Dimensión

W: 20 x H: 20mm

Comply Testing Standard
符合測試標準
Cumplir el estándar de prueba

LED Luminaries: LVD: IEC/EN 60598-1;EN / IEC/EN 60598-2-1;IEC62471;IEC/EN 62031;
IEC/EN 62493 ; IEC/EN 62471 (Risk Group 1)
LED Driver: IEC/EN 61347-1; IEC/EN 61347-2-13; IEC/EN 62384; IEC/EN 61000-3-2;
IEC/EN 61000-3-3;IEC/EN61574;EN 55015 ; IEC /EN 62384

Certification-認證-Certificación



Project	Fixture#	Date
		Firm



Ordering Information

Choose the option that suits your need and write its corresponding code on the appropriate line to form the product code.

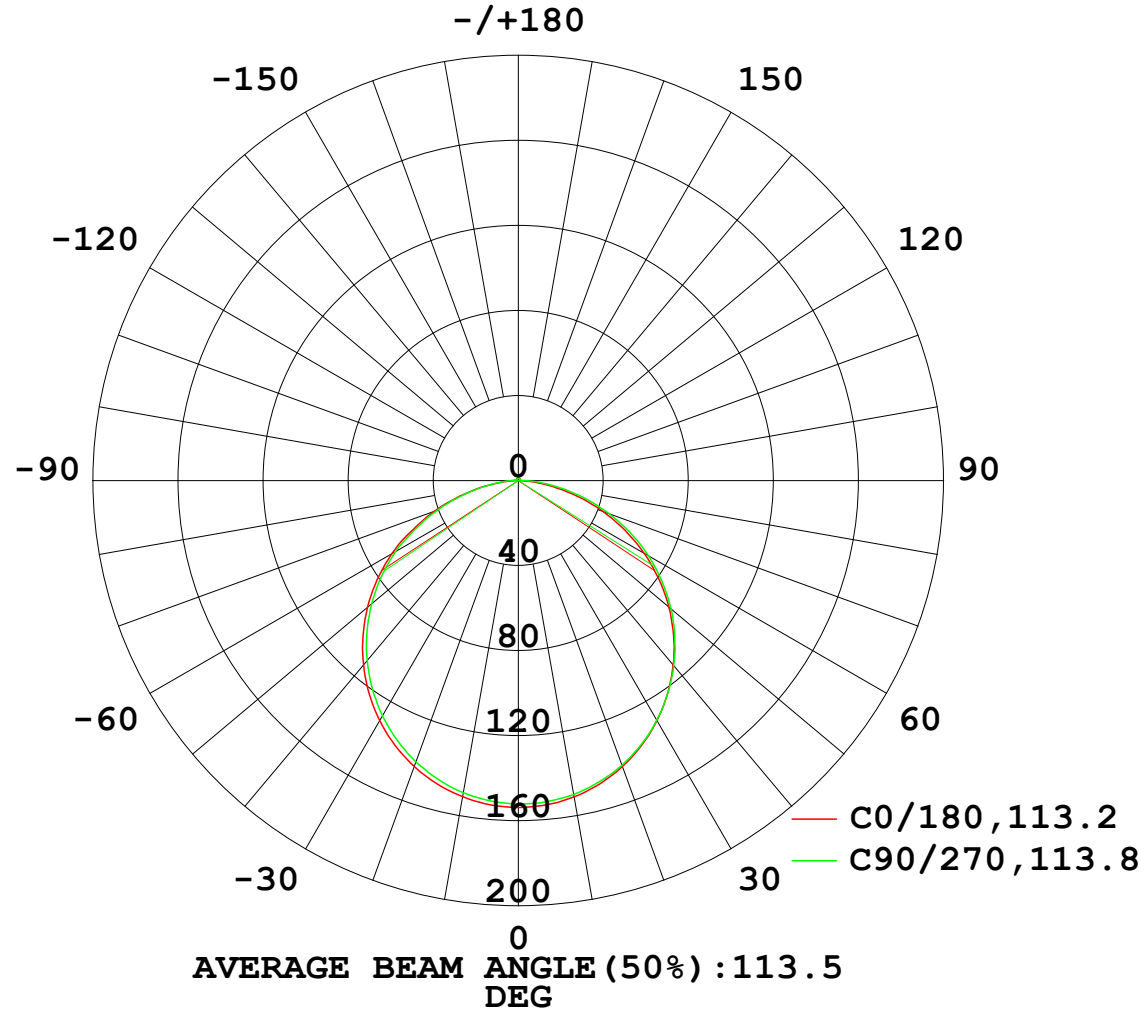
Example product code: [SCOTT-G2-10W](#)

SCOTT-G2 - -

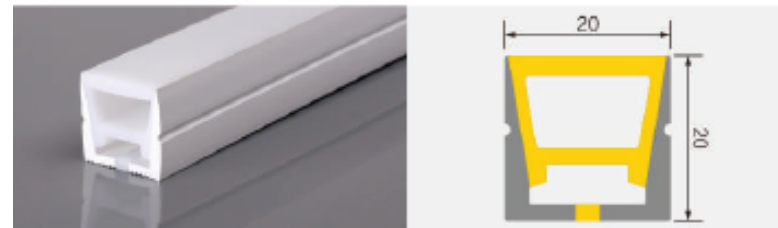
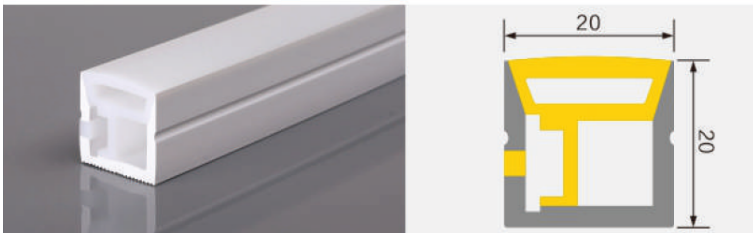
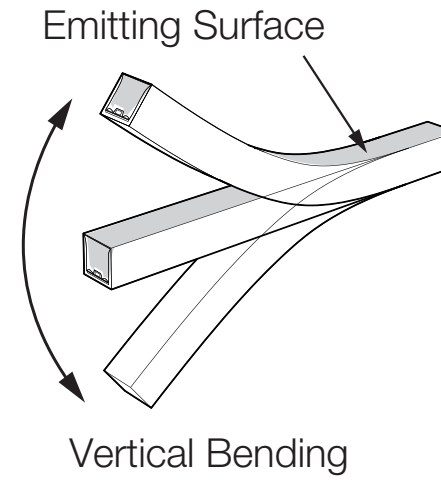
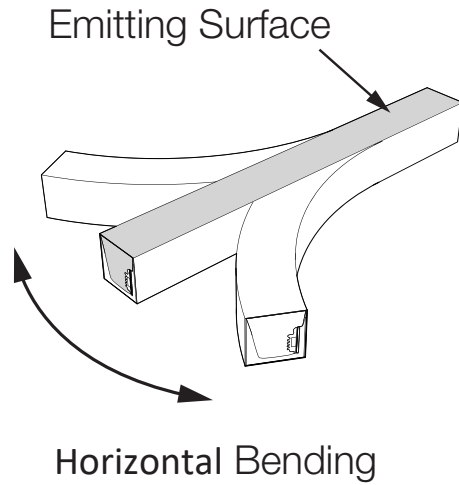
Power Consumption

Power Consumption	
Code	Description
4W	4W
5W	5W
6W	6W
8W	8W
10W	10W
15W	15W
18W	18W

Beam Angle



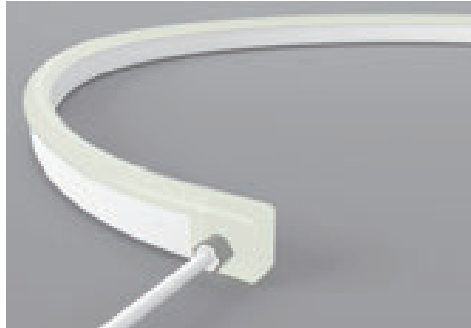
Bending Direction & Dimension



Cable Output Direction



Direct Entry



Side Entry



Bottom Entry

Mounting Profile

