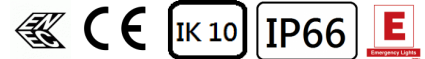


Slim Type BAWATY Waterproof Batten





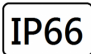

Well design for resistant Dust and Moisture resistance and waterproof.
Anti-UV Light Grey Glass fire reinforced polyester and and high transmission Anti-UV
Clear polycarbonate diffuser.
Silicone Gasket , stainless steel toggles and stainless-steel Quick fix bracket.
Ingress-protected to a level of IP66.
Comply with Hot Wire Testing: 850°C and Electrical protection class I.

Slim BAWATY Waterproof Batten

For LED T5 and T8

DIMON
TECHNOLOGY

Technical Data

Luminaire Type / 安裝方式 / Tipo de luminaria	Pendent mounted Type / Surface mounted Type / Wall Mounted Type 吊裝燈具 / 吸頂式燈具 / 壁掛式燈具 Pendent tipo / Surface mounted / Tipo montado en la pared
Dimension / 尺寸 / Dimensión	Single Tube Batten LED T5 or LED T8 W:90 x H:92 x L:655 mm W:90 x H:92 x L:1265 mm W:90 x H:92 x L:1565 mm Twin Tube Batten LED T5 or LED T8 W:130 x H:92 x L:655 mm W:130 x H:92 x L:1265 mm W:130 x H:92 x L:1565 mm
Input Voltage / 輸入電壓 / Voltaje de entrada	AC220-240V 50/60HZ
Power Consumption / 燈具功率 Consumo de energía Max	Single Tube Batten LED T5 or LED T8 2feet : 7W - 1 pcs x 7W LED T5 or LED T8 8W - 1 pcs x 8W LED T5 or LED T8 2feet : 9W - 1 pcs x 9W LED T5 or LED T8 10W - 1 pcs x 10W LED T5 or LED T8 4feet : 12W - 1 pcs x 12W LED T5 or LED T8 14W - 1 pcs x 14W LED T5 or LED T8 4feet : 16W - 1 pcs x 16W LED T5 or LED T8 18W - 1 pcs x 18W LED T5 or LED T8 4feet : 20W - 1 pcs x 20W LED T5 or LED T8 5feet : 22W - 1 pcs x 22W LED T5 or LED T8 25W - 1 pcs x 25W LED T5 or LED T8 5feet : 28W - 1 pcs x 28W LED T5 or LED T8 30W - 1 pcs x 30W LED T5 or LED T8 Twin Tube Batten LED T5 or LED T8 2feet : 14W - 2 pcs x 7W LED T5 or LED T8 16W - 2 pcs x 8W LED T5 or LED T8 2feet : 18W - 2 pcs x 9W LED T5 or LED T8 20W - 2 pcs x 10W LED T5 or LED T8 4feet : 24W - 2 pcs x 12W LED T5 or LED T8 28W - 2 pcs x 14W LED T5 or LED T8 4feet : 32W - 2 pcs x 16W LED T5 or LED T8 36W - 2 pcs x 18W LED T5 or LED T8 4feet : 40W - 2 pcs x 20W LED T5 or LED T8 5feet : 44W - 2 pcs x 22W LED T5 or LED T8 50W - 2 pcs x 25W LED T5 or LED T8 5feet : 56W - 2 pcs x 28W LED T5 or LED T8 60W - 2 pcs x 30W LED T5 or LED T8
LED Driver Type / LED驅動款式 Tipo de controlador LED	Integrated-type LED Driver--Refer to LED driver specification 請參閱LED驅動器規格 Consulte la especificación de controlador de LED 1. ON/OFF Switch AC220-240V 50/60HZ 2. 1-10V Dimming Driver AC220-240V 50/60HZ for DC LED Tube 3. DALI Dimming Driver AC220-240V 50/60HZ for DC LED Tube 4. ZIGBEE Wireless Control (Remoted Driver) AC220-240V 50/60HZ for DC LED Tube 5. Emergency Backup >2 hours or >3 hours @ < 12 charger hours 應急電池/Copia de seguridad de emergencia 6. Microwave Sensor ON/OFF
Control Protocol / 控制協議 Protocolo de Control	1-10V / DALI / ZIGBEE Wireless
Beam Angle / 光束角 / ángulo de haz	Refer to LED T5 / T8 tube data sheet
Photobiological safety (IEC 62471) 光生物安全檢驗(IEC 62471) Seguridad fotobiológica (IEC 62471)	Low Risk Group 1 (RG1) Refer to LED T5 / T8 Specification 低風險組1 (RG1) 參閱LED T5 / T8規格 Grupo de bajo riesgo 1 (RG1) Consulte la especificación LED T5 / T8
Housing materials / 外殼材料 Materiales de la carcasa	Anti-UV Glass fibre reinforced polyester (GRP) and Polycarbonate Clear Diffuser Silicone Gasket, Stainless Steel Toggles and Stainless-Steel Quick fix bracket 抗紫外線玻璃纖維增強聚酯 (GRP)和透明擴散器 矽膠墊片, 不銹鋼扣和不銹鋼快固定夾 Difusor transparente de policarbonato y poliéster reforzado con fibra de vidrio (FRP) anti-UV. Junta de silicona, palancas de acero inoxidable y soporte de fijación rápida de acero inoxidable.
Housing Color / 外殼顏色 color de la carcasa	Light Grey body and Clear diffuser 淺灰色主體和透明擴散器 Cuerpo gris claro y difusor transparente
Operating Temperature Range / 工作溫度範圍 Rango de temperatura de funcionamiento	-20 °C / + 40 °C
Operating Humidity / 工作濕度 Humedad de funcionamiento	0~90%, non-condensing / 不結霜 sin condensación
Ingress Protection / 防護等級 / Protección de ingreso	IP66
Mech impact protection / 機械衝擊保護 Protección contra impactos mecánicos	IK10
Comply Testing Standard 符合測試標準 Cumplir el estándar de prueba	LED Luminaires: IEC/ EN 60598-1 / EN 60598-2-1 / EN 62031 / EN 62493 / IEC/EN 62471 / IEC 60598-2-22 / IEC 62031 / EN 55015 / EN 61000-3-2 / EN 61000-3-3 / EN 61547 / IEC 62262 / IEC 60529 / IEC TR62778 Luminaires Performance : IEC 62722-1 / IEC 62722-2-1 FSD regulation PPA 104A (4th Rev). RoHS
Certification / 認證 / Certificación	   

Project	Fixture#	Date
		Firm

Ordering Information

Choose the option that suits your need and write its corresponding code on the appropriate line to form the product code.

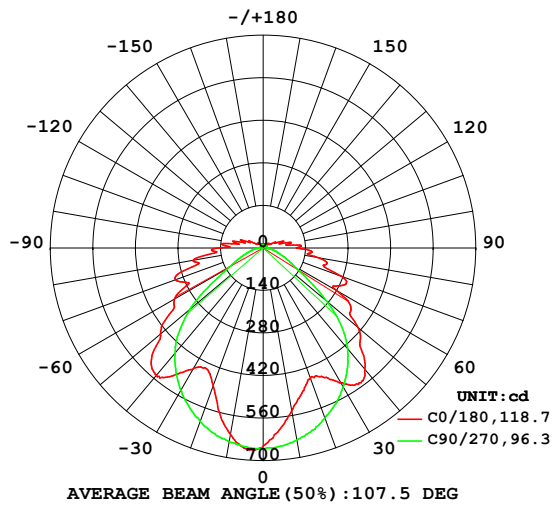
Example product code: [BAWATY-32W](#)

BAWATY - _____ - _____
POWER
CONTROL TYPE

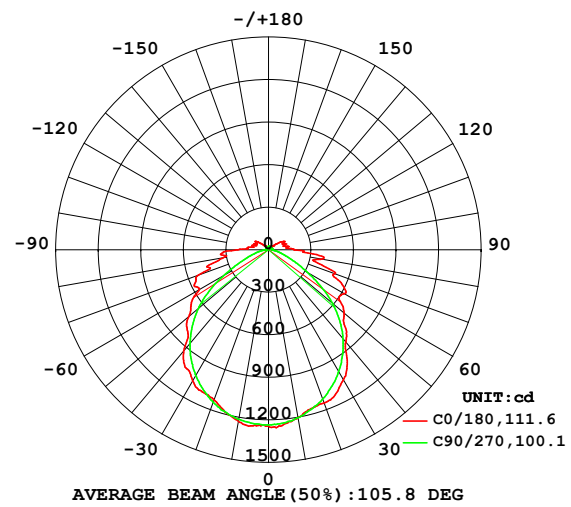
POWER		CONTROL TYPE	
Code	Description	Code	Description
6W	1 pcs x 2feet 6W LED T5 or LED T8	SW	ON/OFF Switch
8W	1 pcs x 2feet 8W LED T5 or LED T8	ELV	ELV Leading Edge Control
9W	1 pcs x 2feet 9W LED T5 or LED T8	AN	1-10V Dimming
10W	1 pcs x 2feet 10W LED T5 or LED T8	DA	DALI Dimming
14W	1 pcs x 4feet 14W LED T5 or LED T8	DMX	DMX Dimming
14W	1 pcs x 4feet 14W LED T5 or LED T8	RDM	RDM Dimming
16W	1 pcs x 4feet 16W LED T5 or LED T8	EM	Emergency Battery
18W	1 pcs x 4feet 18W LED T5 or LED T8	ZI	ZIGBEE Wireless Control
20W	1 pcs x 4feet 20W LED T5 or LED T8		
22W	1 pcs x 5feet 22W LED T5 or LED T8		
25W	1 pcs x 5feet 25W LED T5 or LED T8		
28W	1 pcs x 5feet 28W LED T5 or LED T8		
30W	1 pcs x 5feet 30W LED T5 or LED T8		
12W	2 pcs x 2feet 6W LED T5 or LED T8		
16W	2 pcs x 2feet 8W LED T5 or LED T8		
18W	2 pcs x 2feet 9W LED T5 or LED T8		
20W	2 pcs x 2feet 10W LED T5 or LED T8		
24W	2 pcs x 4feet 12W LED T5 or LED T8		
28W	2 pcs x 4feet 14W LED T5 or LED T8		
32W	2 pcs x 4feet 16W LED T5 or LED T8		
36W	2 pcs x 4feet 18W LED T5 or LED T8		
40W	2 pcs x 4feet 20W LED T5 or LED T8		
44W	2 pcs x 5feet 22W LED T5 or LED T8		
50W	2 pcs x 5feet 25W LED T5 or LED T8		
56W	2 pcs x 5feet 28W LED T5 or LED T8		
60W	2 pcs x 5feet 30W LED T5 or LED T8		

Beam Angle

1*18W



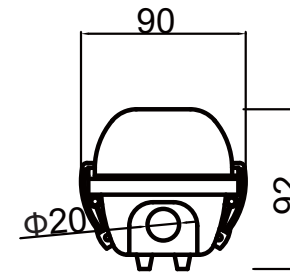
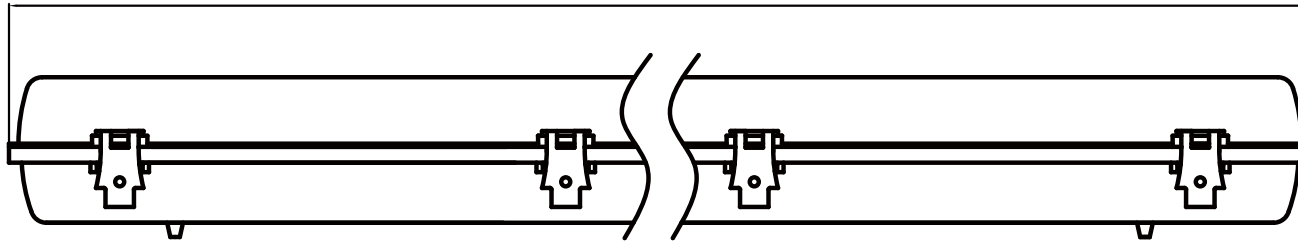
2*18W



Technical Drawing

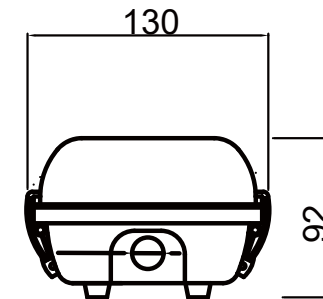
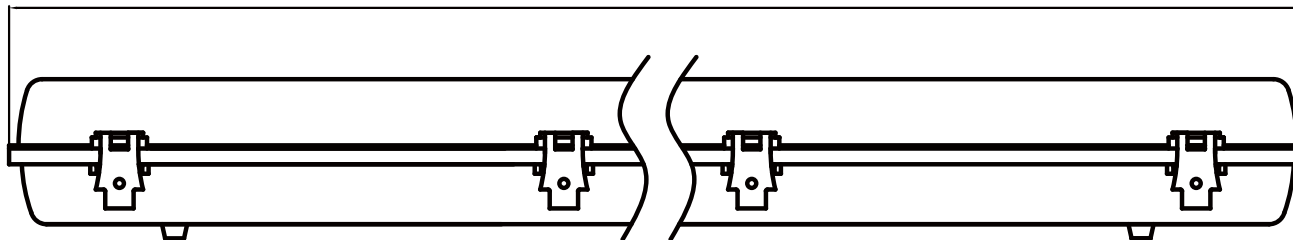
Single Type:

655 / 1265 / 1565



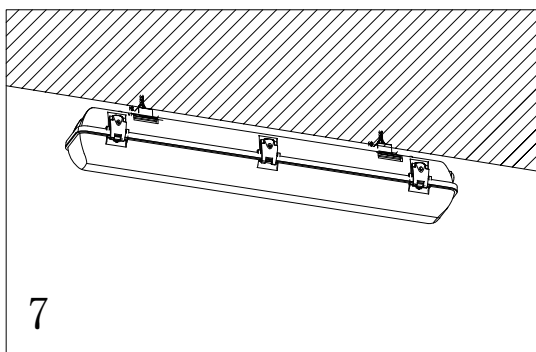
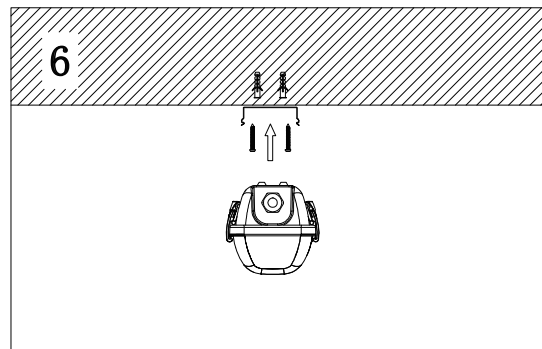
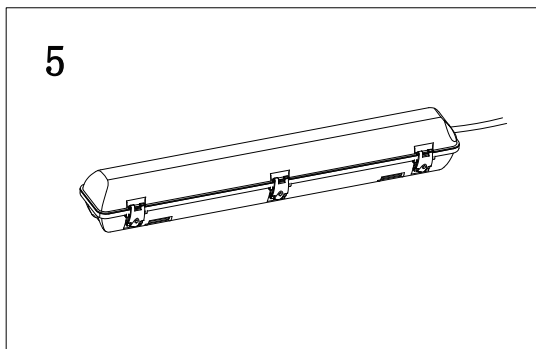
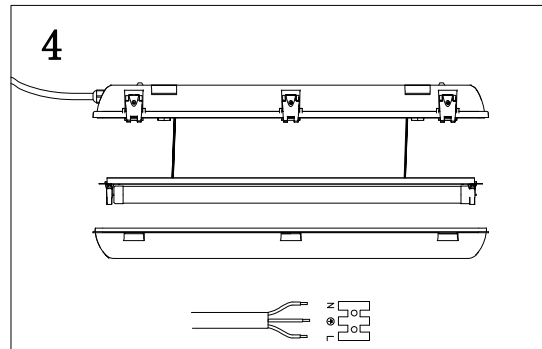
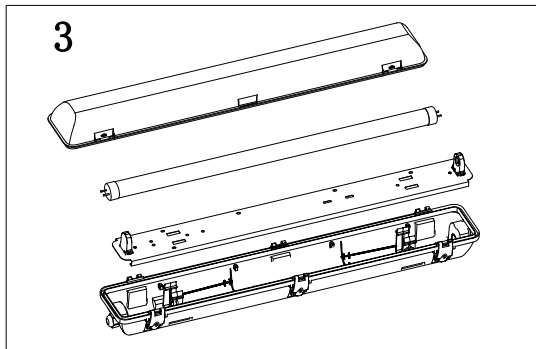
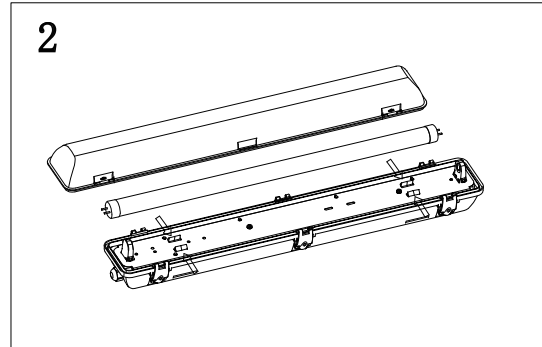
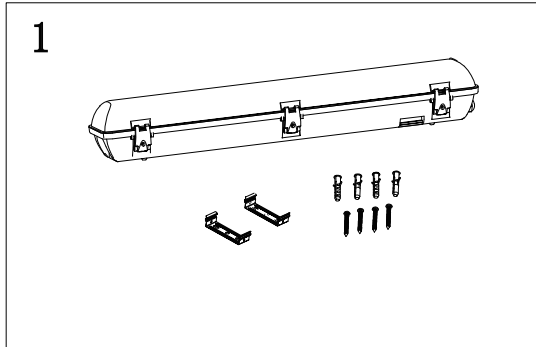
Twin Type:

655 / 1265 / 1565



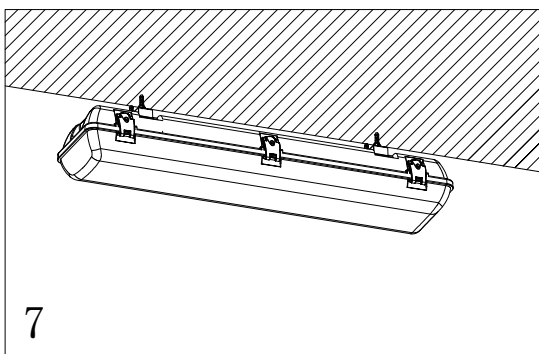
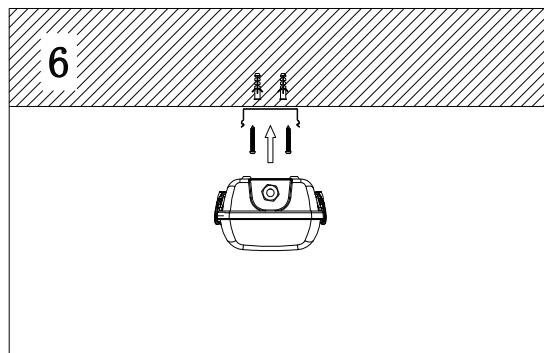
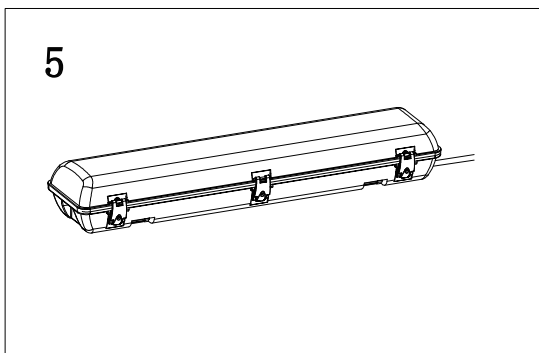
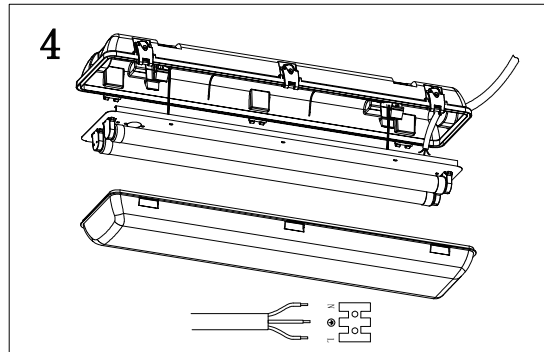
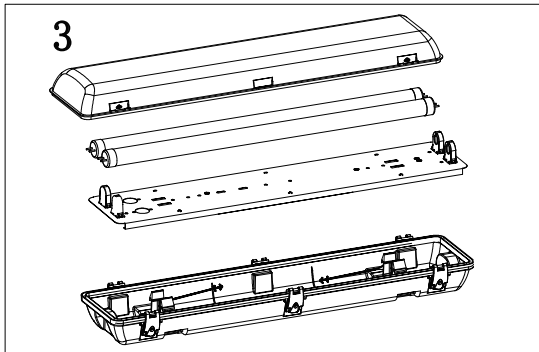
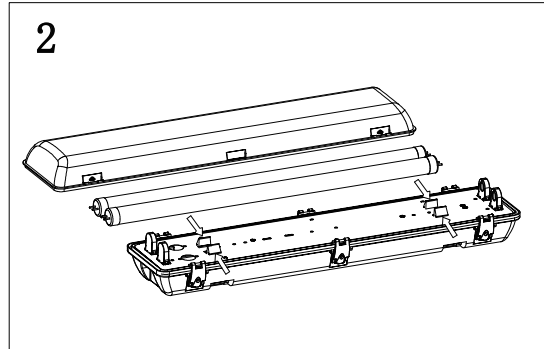
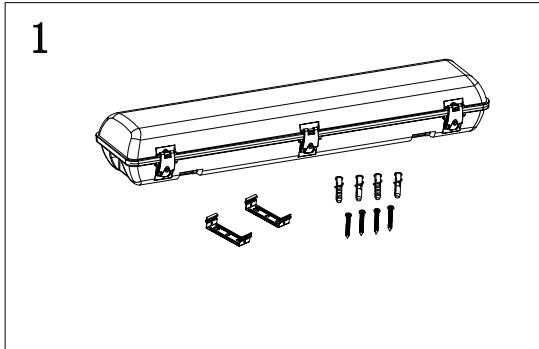
Unit: mm

Fixture Type: LED Waterproof Single Batten



*For more details, refer to data sheet.

Fixture Type: LED Waterproof Twin Batten



*For more details, refer to data sheet.