

## SOLAR-X-10NM

6NM~10NM-Selfcontained Marine Lantern



- User selectable power and flash character settings via DM Bluetooth 5.0 -Smart App (Android Base)
- Max Distance up to 10nm
- SOLAR-X-10NM series is a self-contained lantern powered by solar energy and lithium battery with integrated structure design.
- It has the characteristics of low power consumption, easy maintenance and aging resistance.
- It can be widely used in inland rivers, Coastal and harbor light buoys.
- This series of lamps is composed of LED point light source, lens, solar panel and weather-resistant material base.
- The lamp can easily realize the remote measurement and control of the lantern through the NB-IoT or 4G communication method with DIMON MarineMonitoring system App.
- The GPS high-precision clock is used to realize the synchronous flash function;
- the maximum range is 10 nautical miles, the vertical divergence angle is  $7.3\pm 0.3$  degrees, and the horizontal divergence angle is 360 degrees.

# SOLAR-X-10NM



6NM~10NM-Selfcontained Marine Larnern

**DIMON**  
TECHNOLOGY

## Technical Data

### Features

Long Life -LED Light Source  
Optional GPS synchronisation module  
4 levels of luminous intensity adjustment to adapt to different range requirements.  
Available in all IALA approved colours  
256 user selectable flash characters and selectable daylight sensor  
Magnetic On/Off Switch for quick deployment and hassle free storage maintenance check  
User selectable power and flash character settings via BLUE-Tooth 5.0 up to 80meter  
Optional Control protocol : NB-IoT for Long Distance Wireless control  
Working hours lasting up to 30 days in bad weather (1:1 ratio of light to dark).  
Optional GNSS synchronized-control flash function by GPS or BDS  
Optional 4G wireless DIMON Monitoring system for comprehensive fault alarm and status monitoring.  
Ingress Protection: IP68

Selectable Range (T=0.74)	6-10 nautical miles selectable
Available Colours 可選顏色	Red Max Intensity : 1803cd Green Max Intensity : 1860cd Yellow Max Intensity : 1830cd White Max Intensity : 1893cd
Visibility	360° horizon (omnidirectional)360°
Vertical Divergence	8°±0.3
Flash Codes	Up to 256 codes IALA , field selectable
Synchronisation	GPS-Global Positioning System or BDS-BeiDou Navigation Satellite
Daylight (Lux) Sensor	Default 300Lux (100~1000Lux adjustable)
LED Lamp Input Voltage	DC7.3V
Solar Power	40W (4 x 10.0W DC7.3V ) Solar Panels
Battery Capacity	7.3 V 238AH 238Wh Lithium Ion (Comply IEC 62133-2 ; UL1642 , UN38., MSDS )
Duration Working hours on rainy days	Standard configuration for 30 days @ ON/OFF : Ratio 1:1
Control Protocol Selection:	BLUE Tooth 5.0 up to 80meter for IALA Flasing Code, Lux Sensor and Distance setting. Settting and Monitoring by DM Bluetooth -Smart App Setting AIS 4G Wireless control system: Overvoltage and Undervoltage, Fault, Position offset report by PC IOT Software
Magnetron Switch	For Turn On and Turn OFF Lantern Power
Net Weight	10KG
Dimension	Dia 250mm x H: 640mm
Operating Temperature Range	-30° to +60°C
Ingress Protection	IP 68
Housing materials	UV resistant molded polycarbonate
Certification	  <b>GPS</b> <b>IP68</b>

Project	Fixture#	Date
		Firm

## Ordering Information

Choose the option that suits your need and write its corresponding code on the appropriate line to form the product code.

Example product code: [SOLAR-X-10NM-R-GPS](#)

SOLAR-X-10NM - - \_\_\_\_\_ - \_\_\_\_\_ - \_\_\_\_\_  
Color
Synchronisation
Control

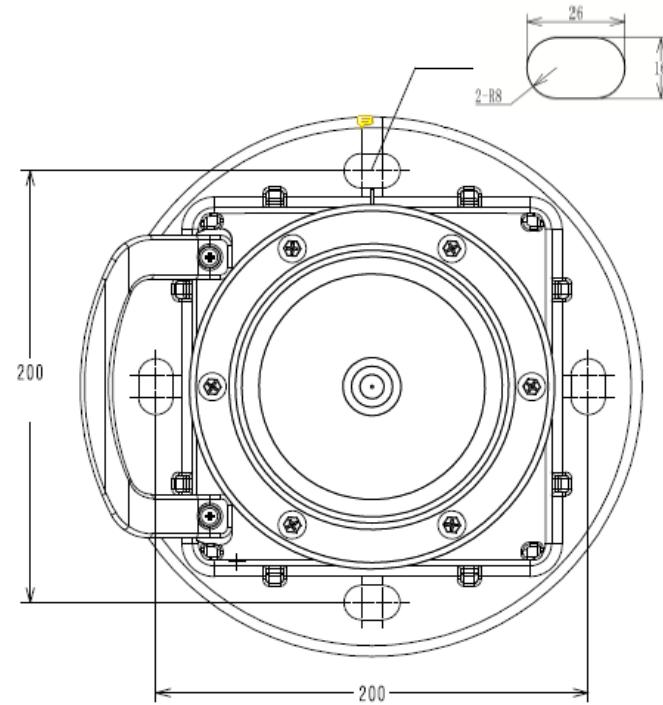
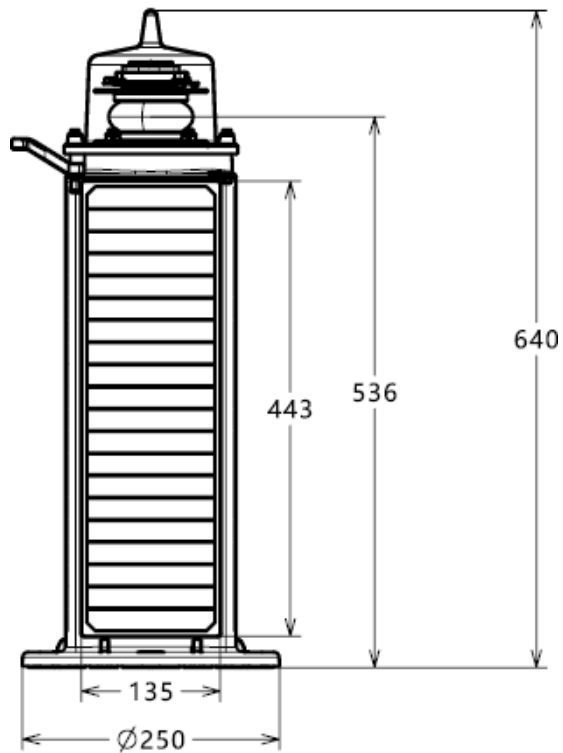
Color		Synchronisation		Control	
Code	Description	Code	Description	Code	Description
R	Red	GPS	GPS	AIS	AIS
G	Green	BSD	BDS-BeiDou Navigation Satellite	4G	4G Wireless control system
Y	Yellow				
W	White				



### Optional AIS

- The AIS effective radius is 12 nautical miles and the maximum range is 8 nautical miles.
- 161.975MHz and 162.025MHz dual AIS frequency point transmission

# Technical Drawing



Unit: mm