

## SOLAR-X-5NM

3NM~5NM-Selfcontained Marine Lartern



- SOLAR-X-5NM series is a self-contained lantern powered by solar energy and lithium battery with integrated structure design.
- It has the characteristics of low power consumption, easy maintenance and aging resistance.
- It can be widely used in inland rivers, Coastal and harbor light buoys.
- This series of lamps is composed of LED point light source, lens, solar panel and weather-resistant material base.
- The lamp can easily realize the remote measurement and control of the lantern through the NB-IoT or 4G communication method with DIMON Marine Monitoring system App.
- The GPS high-precision clock is used to realize the synchronous flash function;
- The range is >5 nautical miles, the vertical divergence angle is  $7.3\pm 0.3$  degrees, and the horizontal divergence angle is 360 degrees.

## Technical Data

### Features

- Long Life -LED Light Source
- Optional GPS synchronisation module
- 4 levels of luminous intensity adjustment to adapt to different range requirements.
- Available in all IALA approved colours
- 256 user selectable flash characters and selectable daylight sensor
- Magnetic On/Off Switch for quick deployment and hassle free storage maintenance check
- User selectable power and flash character settings via an optional IR or BLUE Tooth 5.0 up to 80meter
- Optional Control protocol : NB-IoT for Long Distance Wireless control
- Working hours lasting up to 30 days in bad weather (1:1 ratio of light to dark).
- Optional GNSS synchronized-control flash function by GPS or BDS
- Optional 4G wireless DIMON Monitoring system for comprehensive fault alarm and status monitoring.
- Ingress Protection: IP67

Selectable Range 可選範圍	<ul style="list-style-type: none"> <li>• 3 nautical miles (T=0.74) 3 海里 (T=0.74)</li> <li>• 4 nautical miles (T=0.74) 4 海里 (T=0.74)</li> <li>• 5 nautical miles(T=0.74) 5海里 (T=0.74)</li> </ul>
Available Colours 可選顏色	<ul style="list-style-type: none"> <li>• Red 紅</li> <li>• Green綠</li> <li>• Yellow黃</li> <li>• White白</li> <li>• Blue藍</li> </ul>
Visibility能見角度	360° horizon (omnidirectional)360° 地平線 (全向)
Vertical Divergence 垂直發散角度	8°±0.3
Flash Codes 燈質閃爍編號	Up to 256 codes IALA , field selectable
Synchronisation 同步化	<ul style="list-style-type: none"> <li>• GPS-Global Positioning System全球定位系統 or 或</li> <li>• BDS-BeiDou Navigation Satellite北斗導航衛星</li> </ul>
Daylight (Lux) Sensor 日光傳感器	Default 300Lux (100~1000Lux adjustable) 默認 300Lux(100~1000Lux 可調)
LED Lamp Input Voltage LED燈輸入電壓	DC7.4V
Solar Power 太陽能功率	20.8W (4 x 5.2W) Solar Panels 20.8W(4 x 5.2W)太陽能電池板
Battery Capacity 電池容量	7.4 V 64AH Lithium Ion (Comply IEC 62133-2 ; UL1642 , UN38., MSDS) 7.4 V 64AH 鋰離子電池 (通過以下測試標準 IEC 62133-2 ; UL1642 , UN38., MSDS)
Duration 耐用時間 Working hours on rainy days 雨天工作時間	Standard configuration for 30 days @ ON/OFF : Ratio 1:1 標準配置 30 天 @ 明暗設計 比例 1:1
Control Protocol Selection: 控制協議選擇:	<ul style="list-style-type: none"> <li>• BLUE Tooth 5.0 up to 80meter for IALA Flasing Code, Lux Sensor and Distance setting. Battery monitoring by APP software</li> <li>• 藍牙 5.0 最遠 80 米, 用於IALA閃光代碼、勒克斯感光照度和距離設置 都可以通過APP 軟件監控電池</li> <li>• NB-IoT Overvoltage and Undervoltage, Fault, Position offset report by PC IOT Software</li> <li>• 電腦軟件透過 NB-IoT協議做燈具的 過壓和欠壓、故障、位置偏移監測回報</li> <li>• 4G Wireless control system: Overvoltage and Undervoltage, Fault, Position offset report by PC IOT Software</li> <li>• 電腦軟件透過 4G協議做燈具的 過壓和欠壓、故障、位置偏移監測回報</li> </ul>
Magnetron Switch 磁控開關	For Turn On and Turn OFF Lantern Power 用於打開和關閉燈具電源
Net Weight 淨重	5.3KG
Dimension尺寸	Dia 250mm x H: 428mm
Operating Temperature Range / 工作溫度範圍	0° to +60°C
Ingress Protection-防護等級	IP 67
Housing materials 外殼材料	UV resistant molded polycarbonate 抗紫外線模塑PC
Mech impact protection機械衝擊保護	K08
Certification	     

Project	Fixture#	Date
		Firm

## Ordering Information

Choose the option that suits your need and write its corresponding code on the appropriate line to form the product code.

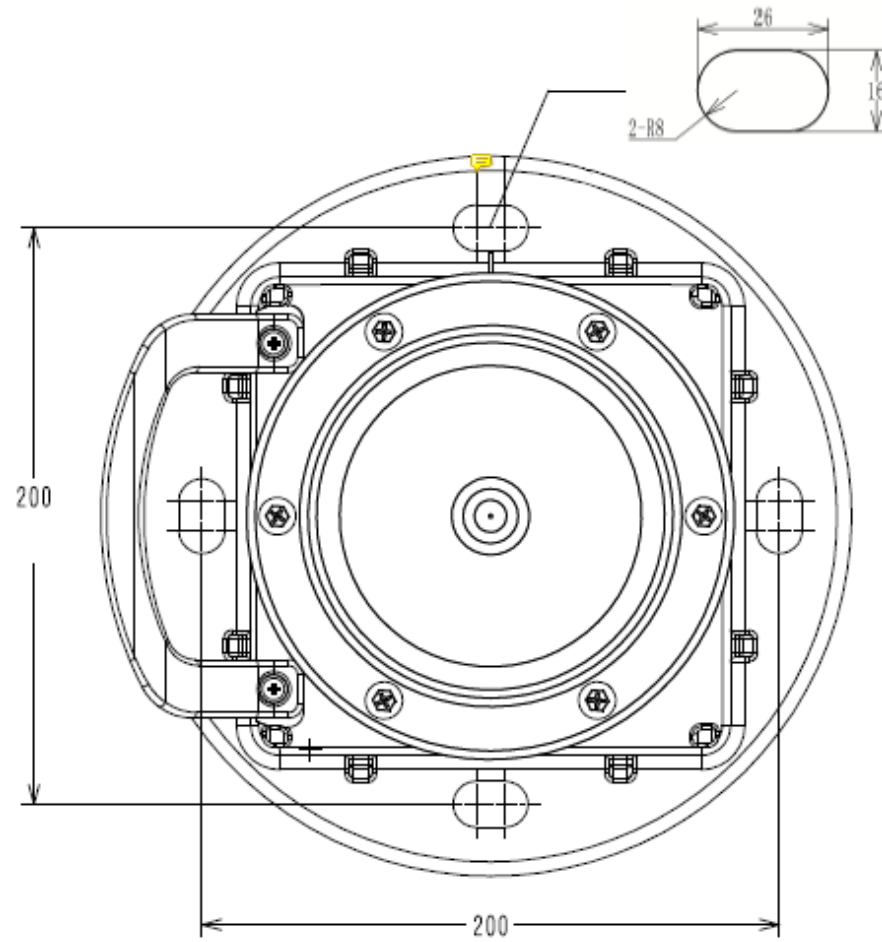
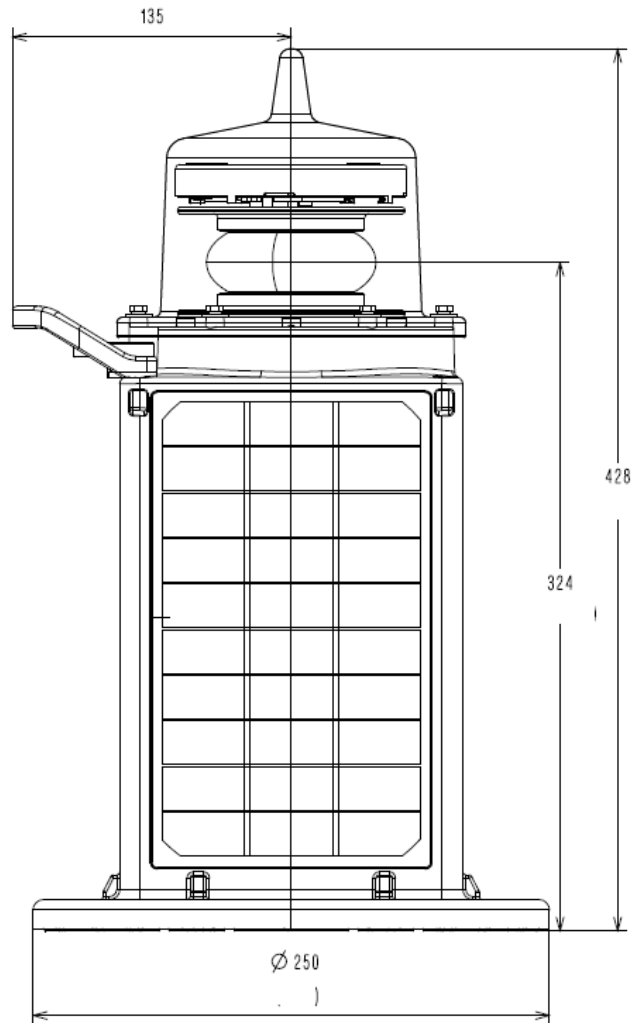
Example product code: [SOLAR-X-5NM-R-BT-GPS](#)

SOLAR-X-5NM - - \_\_\_\_\_ - \_\_\_\_\_ - \_\_\_\_\_  
Color
Control
Synchronisation

Color		Control		Synchronisation	
Code	Description	Code	Description	Code	Description
R	Red	4G	4G Wireless control system	GPS	GPS
G	Green	BT	BLUE Tooth 5.0 up to 80meter with DIMON Marine Monitoring system	BSD	BDS-BeiDou Navigation Satellite
Y	Yellow	NB	NB-IoT for Long Distance Wireless control		
W	White				
B	BLUE				



# Technical Drawing



Unit: mm