

SOLAR-X-6NM

3NM~6NM-Selfcontained Marine Larnern



- User selectable power and flash character settings via DM Bluetooth 5.0 -Smart App (Android Base)
- Max Distance up to 6nm
- SOLAR-X-6NM series is a self-contained lantern powered by solar energy and lithium battery with integrated structure design.
- It has the characteristics of low power consumption, easy maintenance and aging resistance.
- It can be widely used in inland rivers, Coastal and harbor light buoys.
- This series of lamps is composed of LED point light source, lens, solar panel and weather-resistant material base.
- The lamp can easily realize the remote measurement and control of the lantern through the NB-IoT or 4G communication method with DIMON MarinebMonitoring system App.
- The GPS high-precision clock is used to realize the synchronous flash function;
- The maximum range is 6 nautical miles, the vertical divergence angle is 7.3 ± 0.3 degrees, and the horizontal divergence angle is 360 degrees.

SOLAR-X-6NM



3NM~6NM-Selfcontained Marine Larnern

DIMON
TECHNOLOGY

Technical Data

Features

- Long Life -LED Light Source
- Optional GPS synchronisation module
- 4 levels of luminous intensity adjustment to adapt to different range requirements.
- Available in all IALA approved colours
- 256 user selectable flash characters and selectable daylight sensor
- Magnetic On/Off Switch for quick deployment and hassle free storage maintenance check
- User selectable power and flash character settings via BLUE-Tooth 5.0 up to 80meter
- Optional Control protocol : NB-IoT for Long Distance Wireless control
- Working hours lasting up to 30 days in bad weather (1:1 ratio of light to dark).
- Optional GNSS synchronized-control flash function by GPS or BDS
- Optional 4G wireless DIMON Monitoring system for comprehensive fault alarm and status monitoring.
- Ingress Protection: IP68

Selectable Range (T=0.74)	• 3 -6 nautical miles selectable
Available Colours 可選顏色	• Red Max Intensity : 180cd • Green Max Intensity : 255cd • Yellow Max Intensity : 214cd • White Max Intensity : 251cd
Visibility	360° horizon (omnidirectional)360°
Vertical Divergence	8°±0.3
Flash Codes	Up to 256 codes IALA , field selectable
Synchronisation	• GPS-Global Positioning System or • BDS-BeiDou Navigation Satellite
Daylight (Lux) Sensor	Default 300Lux (100~1000Lux adjustable)
LED Lamp Input Voltage	DC7.4V
Solar Power	20.8W (4 x 5.2W DC7.3V) Solar Panels
Battery Capacity	7.4 V 49AH 357.7Wh Lithium Ion (Comply IEC 62133-2 ; UL1642 , UN38., MSDS)
Duration Working hours on rainy days	Standard configuration for 30 days @ ON/OFF : Ratio 1:1
Control Protocol Selection:	• BLUE Tooth 5.0 up to 80meter for IALA Flasing Code, Lux Sensor and Distance setting. Settting and Monitoring by DM Bluetooth -Smart App Setting • AIS • 4G Wireless control system: Overvoltage and Undervoltage, Fault, Position offset report by PC IOT Software
Magnetron Switch	For Turn On and Turn OFF Lantern Power
Net Weight	4.3KG
Dimension	Dia 250mm x H: 427.5mm
Operating Temperature Range	-30° to +60°C
Ingress Protection	IP 68
Housing materials	UV resistant molded polycarbonate
Certification	  GPS IP68

Project	Fixture#	Date
		Firm

Ordering Information

Choose the option that suits your need and write its corresponding code on the appropriate line to form the product code.

Example product code: [SOLAR-X-6NM-R-GPS](#)

SOLAR-X-6NM - - _____ - _____ - _____
Color
Synchronisation
Control

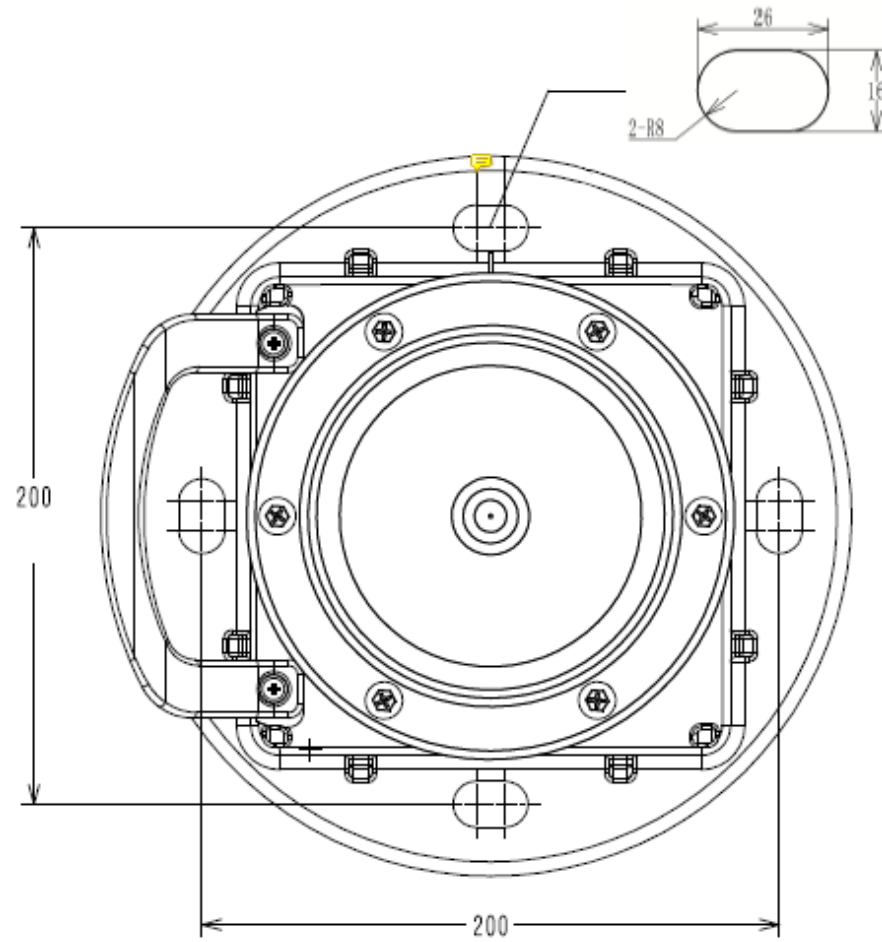
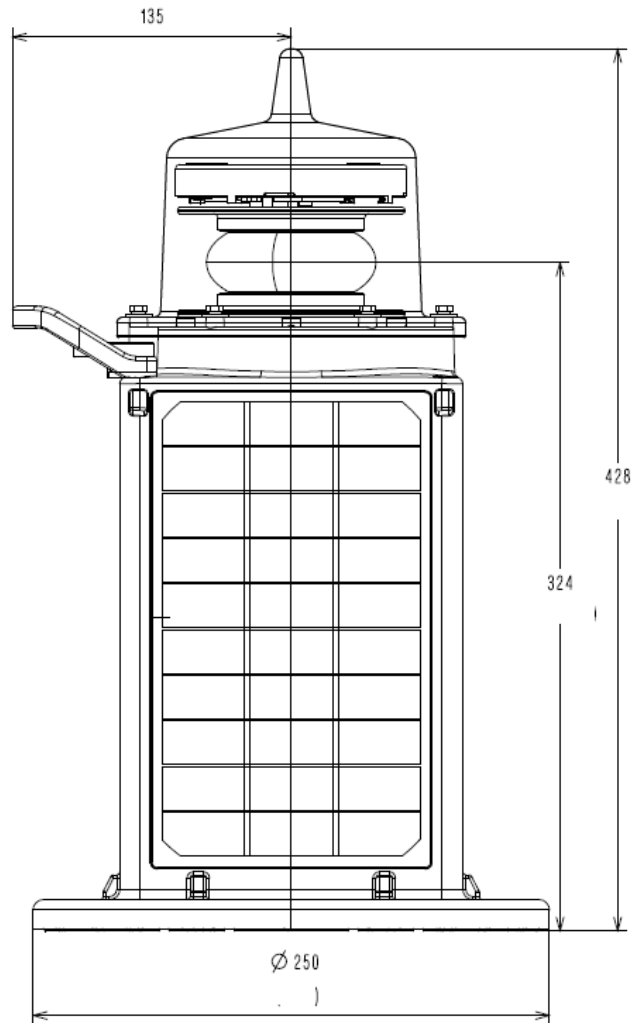
Color		Synchronisation		Control	
Code	Description	Code	Description	Code	Description
R	Red	GPS	GPS	AIS	AIS
G	Green	BSD	BDS-BeiDou Navigation Satellite	4G	4G Wireless control system
Y	Yellow				
W	White				



Optional AIS

- Working voltage DC7.3V
- The AIS effective radius is 12 nautical miles and the maximum range is 5 nautical miles.
- 161.975MHz and 162.025MHz dual AIS frequency point transmission
- Battery standard up 7.3V 64Ah

Technical Drawing



Unit: mm