


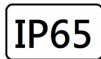





WEEL PRO

10W



- Aluminum die casting base and heatsink.
- Super white frosted PC diffuser. with high visual comfort light distribution.
- Surface anti-ultraviolet pure polyester powder painting.
- No photo-biological risk, in accordance with EN 62471:2008.

Technical Data

Luminaire Type-安裝方式-Tipo de luminaria	Ceiling or Wall Mount Type吸頂或吸壁安裝Tipo mount en el techo	
Dimension-尺寸-Dimensión	Dia 275 x H:84mm	Half-Moon Cover : Dia 275 x H:84mm
Power Consumption Max-燈具功率Consumo de energía Max	8W & 10W	
Input Voltage-輸入電壓-Voltaje de entrada	AC220V-240V 50/60Hz	
LED Driver Type LED驅動款式 Tipo de controlador LED	Integrated-type LED Driver--Refer to LED driver specification 請參閱LED驅動器規格 Consulte la especificación de controlador de LED 1. ON/OFF Switch 2. 1-10V Dimming Driver 3. Dali Dimming Driver 4. Motion Sensor -Microwave 5. Emergency Backup >2 hours or >3 hours @ < 12charger hours應急電池/Copia de seguridad de emergencia	
LED Driver Features驅動特性 Funciones del controlador de LED	POWER FACTOR : PF>0.90 or PF>0.95 TOTAL HARMONIC DISTORTION: THD< 20% Refer to LED driver specification 請參閱LED驅動器規格Consulte la especificación de controlador de LED	
Control Protocol-控制協議 Protocolo de Control	1-10V / Dali	
Beam Angle光束角ángulo de haz	120°	
Light Source Brand-光源品牌-Fuente de luz de marca	SMD LED	
"Lumen Maintenance LM-80 Reported by TM-21"@25 °C	L70 > 45,000 hrs	
LED Life-LED壽命-La vida del LED	>60,000 hours	
Color Temperature -色溫Temperatura del color	2700K / 3000K / 4000K / 5000K / 6000K	
Color Rendering Index-顯色指數 Índice de reproducción cromática	> 80 > 90	
MacAdam Ellipses Binning 麥克亞當橢圓分級 Mac Adam binning elipse	Standard Deviation Colour Matching < 3 SCDM 標準偏差配色 < 3 SCDM Coincidencia de color estándar Desviación	
Luminaire Efficacy燈具效率 La eficacia de la luminaria	90Lm/w(2700K), 90 Lm/w(3000K), 100 Lm/w(4000K), 110Lm/w(5000K), 110 Lm/w(6500K),	
LED Source Luminous EfficacyLED光源光效 Fuente luminosa LED Eficacia	130Lm/w(2700K), 140 Lm/w(3000K), 150 Lm/w(4000K), 150Lm/w(5000K), 150 Lm/w(6500K),	
Housing materials-外殼材料 Materiales de la carcasa	Die-cast aluminium and Anti UV Polycarbonate OPA diffuser 壓鑄鋁和抗紫外線PC 乳白擴散器 Difusor OPA de Aluminio inyectado y Policarbonato Anti UV	
Housing Color外殼顏色color de la carcasa	Sand White RAL 9003 / Sand Black RAL 9005 / Sand Gray RAL9006 砂白RAL 9003 / 砂黑 RAL 9005 / 砂灰色 RAL9006 Blanco arena RAL 9003 / Negro arena RAL 9005 / Gris arena RAL9006	
Ingress Protection-防護等級 Protección de ingreso	IP65	
Mech impact protection 機械衝擊保護 Protección contra impactos mecánicos	IK10	
Operating Temperature Range / 工作溫度範圍 Rango de temperatura de funcion amento	-30 °C / +50 °C	
Operating Humidity -工作濕度 Humedad de funcionamiento	0~100%, non-condensing-不結霜 sin condensación	
Comply Testing Standard 符合測試標準 Cumplir el estándar de prueba	LED Luminaries: LVD: IEC/EN 60598-1;EN / IEC/EN 60598-2-1;IEC62471;IEC/EN 62031; IEC/EN 62493 ; IEC/EN 62471 • LED Driver: IEC/EN 61347-1; IEC/EN 61347-2-13; IEC/EN 62384; IEC/EN 61000-3-2; • IEC/EN 61000-3-3;IEC/EN61574;EN 55015 ; IEC /EN 62384	
Certification-認證-Certificación	      	

Project	Fixture#	Date
		Firm

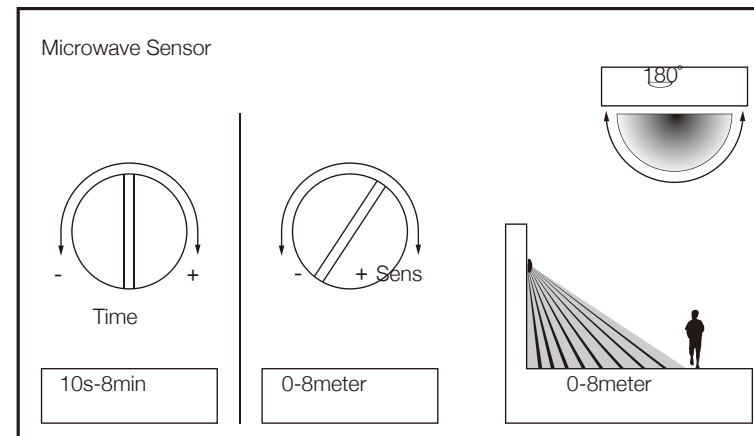
Ordering Information

Choose the option that suits your need and write its corresponding code on the appropriate line to form the product code.

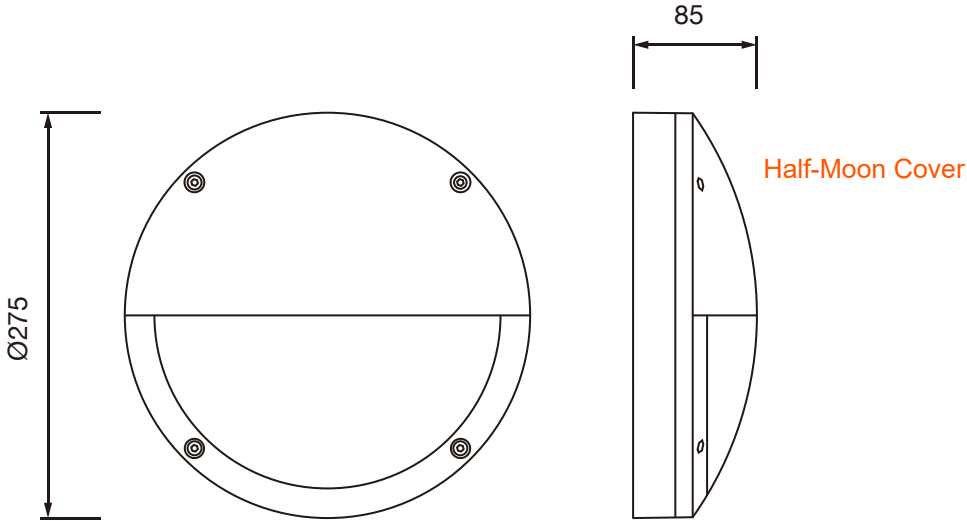
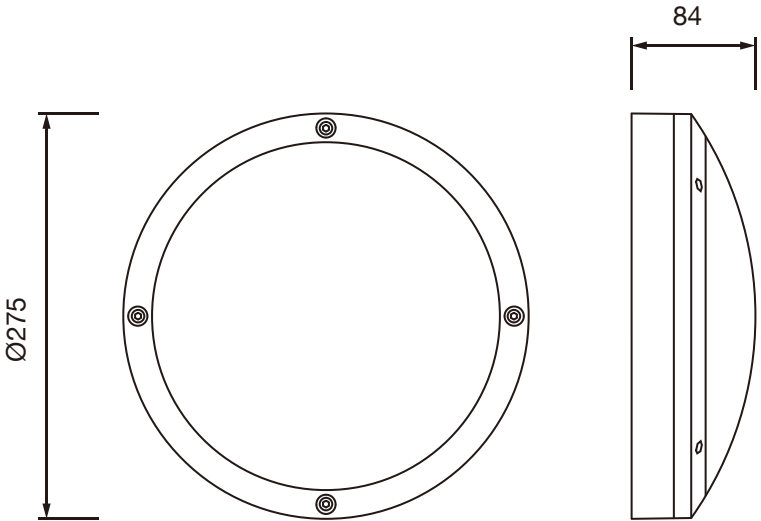
Example product code: [WEEL-10W](#)

WEEL - _____
Power Consumption

Power Consumption	
Code	Description
8W	8W
10W	10W



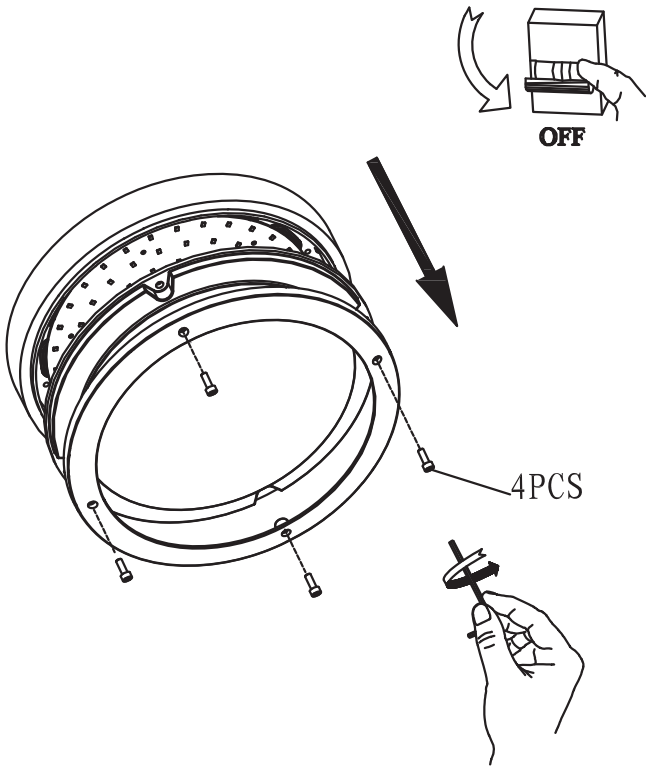
Technical Drawing



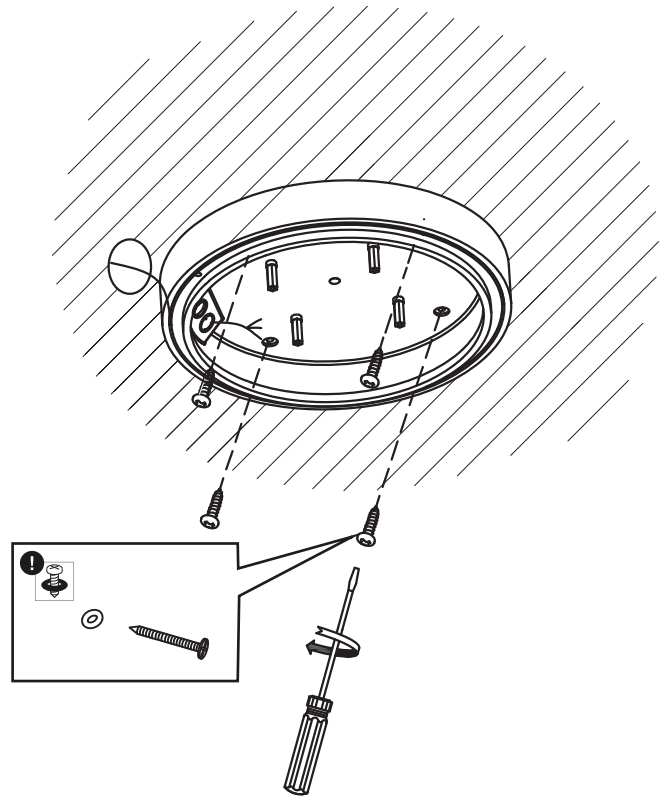
Unit: mm

OUTDOOR

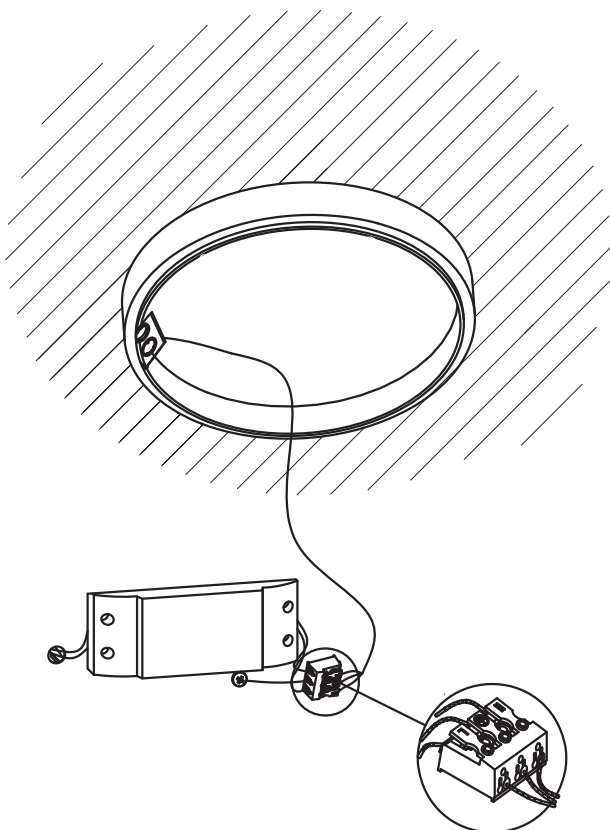
①



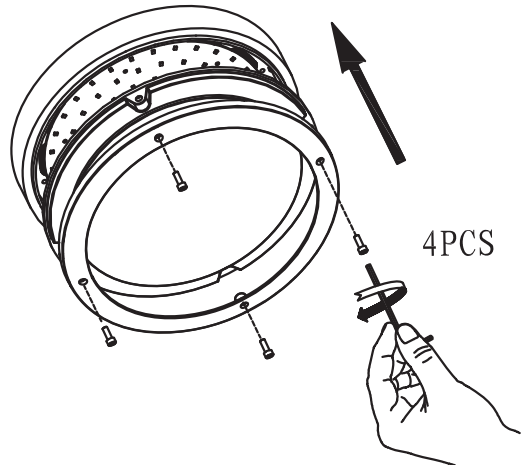
②



③



④



5

